

**SERIES  
682XXB/683XXB  
SYNTHESIZED SIGNAL GENERATORS  
MAINTENANCE MANUAL**

---

---

The Anritsu logo is centered at the bottom of the page, flanked by two horizontal lines that extend across the width of the page. The logo itself consists of a stylized 'A' followed by the word 'nritsu' in a bold, lowercase sans-serif font.

## **WARRANTY**

The ANRITSU product(s) listed on the title page is (are) warranted against defects in materials and workmanship for one year from the date of shipment.

ANRITSU's obligation covers repairing or replacing products which prove to be defective during the warranty period. Buyers shall prepay transportation charges for equipment returned to ANRITSU for warranty repairs. Obligation is limited to the original purchaser. ANRITSU is not liable for consequential damages.

## **LIMITATION OF WARRANTY**

The foregoing warranty does not apply to ANRITSU connectors that have failed due to normal wear. Also, the warranty does not apply to defects resulting from improper or inadequate maintenance by the Buyer, unauthorized modification or misuse, or operation outside of the environmental specifications of the product. No other warranty is expressed or implied, and the remedies provided herein are the Buyer's sole and exclusive remedies.

## **TRADEMARK ACKNOWLEDGEMENTS**

Adobe Acrobat is a registered trademark of Adobe Systems Incorporated.

## **NOTICE**

ANRITSU Company has prepared this manual for use by ANRITSU Company personnel and customers as a guide for the proper installation, operation, and maintenance of ANRITSU Company equipment and computer programs. The drawings, specifications, and information contained herein are the property of ANRITSU Company, and any unauthorized use or disclosure of these drawings, specifications, and information is prohibited; they shall not be reproduced, copied, or used in whole or in part as the basis for manufacture or sale of the equipment or software programs without the prior written consent of ANRITSU Company.

# DECLARATION OF CONFORMITY

**Manufacturer's Name:** ANRITSU COMPANY

**Manufacturer's Address:** Microwave Measurements Division  
490 Jarvis Drive  
Morgan Hill, CA 95037-2809  
USA

declares that the product specified below:

**Product Name:** Synthesized CW / Sweep / Signal Generator

**Model Number:** 680XXB, 681XXB, 682XXB, 683XXB

conforms to the requirement of:

EMC Directive 89/336/EEC as amended by Council Directive 92/31/EEC & 93/68/EEC  
Low Voltage Directive 73/23/EEC as amended by Council directive 93/68/EEC

## **Electromagnetic Interference:**

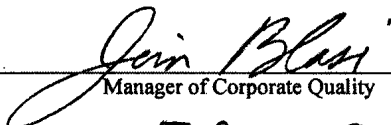
Emissions: CISPR 11:1990/EN55011:1991 Group 1 Class A

Immunity: IEC 1000-4-2:1995/prEN50082-1:1995 - 4kV CD, 8kV AD  
IEC 1000-4-3:1993/ENV50140:1994 - 3V/m  
IEC 1000-4-4:1995/prEN50082-1:1995 - 0.5kV SL, 1kV PL  
IEC 1000-4-5:1995/prEN50082-1:1995 - 0.5kV - 1kV LN  
0.5kV - 1kV NG  
0.5kV - 1kV GL

## **Electrical Safety Requirement:**

Product Safety: IEC 1010-1:1990 + A1/EN61010-1:1993

Morgan Hill, CA

  
\_\_\_\_\_  
Manager of Corporate Quality  
5-SEPT-97  
Date

European Contact: For Anritsu product EMC & LVD information, contact Anritsu LTD, Rutherford Close,  
Stevenage Herts, SG1 2EF UK, (FAX 44-1438-740202)



# ***Table Of Contents***

---

## ***Chapter 1 - General Information***

|      |  |      |
|------|--|------|
| 1-1  | SCOPE OF MANUAL . . . . .                                    | 1-3  |
| 1-2  | INTRODUCTION . . . . .                                       | 1-3  |
| 1-3  | DESCRIPTION . . . . .  | 1-3  |
| 1-4  | IDENTIFICATION NUMBER . . . . .                              | 1-5  |
| 1-5  | ELECTRONIC MANUAL . . . . .                                  | 1-6  |
| 1-6  | RELATED MANUALS . . . . .                                    | 1-6  |
|      | Operation Manual . . . . .                                   | 1-6  |
|      | GPIB Programming Manual . . . . .                            | 1-6  |
|      | SCPI Programming Manual . . . . .                            | 1-6  |
| 1-7  | OPTIONS . . . . .  | 1-7  |
| 1-8  | LEVEL OF MAINTENANCE . . . . .                               | 1-8  |
|      | Troubleshooting . . . . .                                    | 1-8  |
|      | Repair . . . . .   | 1-8  |
|      | Calibration . . . . .  | 1-8  |
|      | Preventive Maintenance . . . . .                             | 1-8  |
| 1-9  | PREVENTIVE MAINTENANCE . . . . .                             | 1-9  |
| 1-10 | STATIC-SENSITIVE COMPONENT HANDLING<br>PRECAUTIONS . . . . . | 1-9  |
| 1-11 | STARTUP CONFIGURATIONS . . . . .                             | 1-11 |
| 1-12 | RECOMMENDED TEST EQUIPMENT . . . . .                         | 1-12 |
| 1-13 | EXCHANGE ASSEMBLY PROGRAM . . . . .                          | 1-14 |
| 1-14 | REPLACEABLE SUBASSEMBLIES AND PARTS                          | 1-14 |

## ***Chapter 2 - Functional Description***

|     |  |     |
|-----|--|-----|
| 2-1 | INTRODUCTION . . . . .                   | 2-3 |
| 2-2 | 682XXB/683XXB MAJOR SUBSYSTEMS . . . . . | 2-3 |
|     | Digital Control . . . . .                | 2-3 |
|     | Front Panel . . . . .                    | 2-4 |
|     | Frequency Synthesis . . . . .            | 2-4 |
|     | Analog Instruction . . . . .             | 2-5 |
|     | YIG Driver . . . . .                     | 2-5 |
|     | Function Generator . . . . .             | 2-5 |

## Table of Contents (Continued)

|     |   |      |
|-----|---|------|
|     | ALC/AM/Pulse Modulation . . . . .               | 2-8  |
|     | RF Deck . . . . .                               | 2-8  |
|     | Power Supply . . . . .                          | 2-8  |
|     | Inputs/Outputs . . . . .                        | 2-8  |
|     | Motherboard/Interconnections . . . . .          | 2-9  |
| 2-3 | FREQUENCY SYNTHESIS . . . . .                   | 2-9  |
|     | Phase-Lock Loops . . . . .                      | 2-9  |
|     | Overall Operation . . . . .                     | 2-10 |
|     | RF Outputs 0.01 to 65 GHz . . . . .             | 2-13 |
|     | Frequency Modulation . . . . .                  | 2-14 |
|     | Phase Modulation (Option 6) . . . . .           | 2-14 |
|     | Analog Sweep Mode (683XXB only) . . . . .       | 2-14 |
|     | Step Sweep Mode . . . . .                       | 2-15 |
| 2-4 | ALC/AM/PULSE MODULATION . . . . .               | 2-15 |
|     | ALC Loop Operation . . . . .                    | 2-15 |
|     | Pulse Generator Operation . . . . .             | 2-18 |
| 2-5 | RF DECK ASSEMBLIES . . . . .                    | 2-19 |
|     | RF Deck Configurations . . . . .                | 2-20 |
|     | YIG-tuned Oscillator . . . . .                  | 2-20 |
|     | Power Level Control and Modulation . . . . .    | 2-23 |
|     | RF Signal Filtering . . . . .                   | 2-23 |
|     | 0.01 to 2 GHz Down Converter . . . . .          | 2-24 |
|     | 0.5 to 2.2 GHz Digital Down Converter . . . . . | 2-25 |
|     | Switched Doubler Module . . . . .               | 2-26 |
|     | Source Quadrupler Module . . . . .              | 2-29 |
|     | Power Level Detection/ALC Loop . . . . .        | 2-30 |
|     | Step Attenuator . . . . .                       | 2-31 |

### Chapter 3 - Performance Verification

|     |  |     |
|-----|--|-----|
| 3-1 | INTRODUCTION . . . . .                       | 3-3 |
| 3-2 | RECOMMENDED TEST EQUIPMENT . . . . .         | 3-3 |
| 3-3 | TEST RECORDS . . . . .                       | 3-3 |
| 3-4 | CONNECTOR AND KEY LABEL NOTATION . . . . .   | 3-3 |
| 3-5 | 682XXB/683XXB POWER LEVELS . . . . .         | 3-6 |
| 3-6 | INTERNAL TIME BASE AGING RATE TEST . . . . . | 3-8 |
|     | Test Setup . . . . .                         | 3-8 |
|     | Test Procedure . . . . .                     | 3-9 |

## **Table of Contents (Continued)**

|      |   |      |
|------|---|------|
| 3-7  | FREQUENCY SYNTHESIS TESTS . . . . .   | 3-11 |
|      | Test Setup . . . . .  | 3-11 |
|      | Coarse Loop/YIG Loop Test Procedure. . . . .  | 3-12 |
|      | Fine Loop Test Procedure . . . . .  | 3-13 |
| 3-8  | SPURIOUS SIGNALS TEST: RF OUTPUT SIGNALS<br>$\leq 2$ GHz ( $\leq 2.2$ GHz for 68XX5B MODELS). . . . . | 3-14 |
|      | Test Setup . . . . .  | 3-14 |
|      | 0.01 - 2 GHz Test Procedure . . . . .   | 3-14 |
|      | 0.5 - 2.2 GHz Test Procedure . . . . .  | 3-17 |
| 3-9  | HARMONIC TEST: RF OUTPUT SIGNALS<br>FROM 2 TO 20 GHz . . . . .  | 3-18 |
|      | Test Setup . . . . .  | 3-18 |
|      | Test Procedure (2 to 10 GHz) . . . . .  | 3-19 |
|      | Test Procedure (11 to 20 GHz) . . . . .   | 3-20 |
| 3-10 | SINGLE SIDEBAND PHASE NOISE TEST . . . . .  | 3-22 |
|      | Test Setup . . . . .  | 3-22 |
|      | Test Procedure . . . . .  | 3-23 |
| 3-11 | POWER LEVEL ACCURACY AND FLATNESS<br>TESTS. . . . .   | 3-26 |
|      | Test Setup . . . . .  | 3-26 |
|      | Power Level Accuracy Test Procedure . . . . .   | 3-27 |
|      | Power Level Flatness Test Procedure . . . . .   | 3-27 |
| 3-12 | AMPLITUDE MODULATION TEST . . . . .   | 3-30 |
|      | Test Setup . . . . .  | 3-30 |
|      | AM Input Sensitivity Procedure. . . . .   | 3-31 |
| 3-13 | FREQUENCY MODULATION TESTS . . . . .  | 3-33 |
|      | Test Setup . . . . .  | 3-33 |
|      | FM Input Sensitivity Procedure. . . . .   | 3-33 |
| 3-14 | PULSE MODULATION TESTS: RISE TIME,<br>FALL TIME, OVERSHOOT, AND LEVEL . . . . .                       | 3-39 |
|      | Test Setup . . . . .  | 3-39 |
|      | Rise/Fall Time and Overshoot. . . . .   | 3-40 |
|      | Pulse Leveling Accuracy . . . . .   | 3-41 |
| 3-15 | PULSE MODULATION TEST: VIDEO<br>FEEDTHROUGH. . . . .  | 3-43 |
|      | Test Setup . . . . .  | 3-43 |
|      | Test Procedure . . . . .  | 3-44 |

## **Table of Contents (Continued)**

|      |   |      |
|------|---|------|
| 3-16 | PULSE MODULATION TEST: RF ON/OFF RATIO        | 3-45 |
|      | Test Setup . . . . .                          | 3-45 |
|      | Test Procedure . . . . .                      | 3-45 |
| 3-17 | PHASE MODULATION TESTS. . . . .               | 3-48 |
|      | Test Setup . . . . .                          | 3-48 |
|      | $\Phi$ M Input Sensitivity Procedure. . . . . | 3-48 |

### ***Chapter 4 - Calibration***

|      |   |      |
|------|---|------|
| 4-1  | INTRODUCTION . . . . .                                    | 4-3  |
| 4-2  | RECOMMENDED TEST EQUIPMENT . . . . .                      | 4-3  |
| 4-3  | TEST RECORDS . . . . .                                    | 4-3  |
| 4-4  | CALIBRATION FOLLOWING SUBASSEMBLY<br>REPLACEMENT. . . . . | 4-4  |
| 4-5  | CONNECTOR AND KEY LABEL NOTATION . . .                    | 4-4  |
| 4-6  | INITIAL SETUP. . . . .                                    | 4-7  |
|      | Interconnection . . . . .                                 | 4-7  |
|      | PC Setup — Windows 3.1 . . . . .                          | 4-8  |
|      | PC Setup — Windows 95 . . . . .                           | 4-10 |
| 4-7  | PRELIMINARY CALIBRATION . . . . .                         | 4-13 |
|      | Equipment Setup. . . . .                                  | 4-13 |
|      | Calibration Steps. . . . .                                | 4-14 |
| 4-8  | SWITCHED FILTER SHAPER CALIBRATION . .                    | 4-17 |
|      | Equipment Setup. . . . .                                  | 4-17 |
|      | Log Amplifier Zero Calibration . . . . .                  | 4-18 |
|      | Limiter DAC Adjustment . . . . .                          | 4-18 |
|      | Shaper DAC Adjustment . . . . .                           | 4-19 |
| 4-9  | RF LEVEL CALIBRATION . . . . .                            | 4-22 |
| 4-10 | ALC SLOPE CALIBRATION . . . . .                           | 4-23 |
|      | Equipment Setup. . . . .                                  | 4-23 |
|      | ALC Slope DAC Adjustment . . . . .                        | 4-24 |
| 4-11 | ALC BANDWIDTH CALIBRATION . . . . .                       | 4-31 |
|      | Equipment Setup. . . . .                                  | 4-31 |
|      | Bandwidth Calibration . . . . .                           | 4-31 |



## ***Table of Contents (Continued)***

|      |   |      |
|------|---|------|
| 4-12 | AM CALIBRATION . . . . .                      | 4-33 |
|      | Equipment Setup . . . . .                     | 4-33 |
|      | AM Calibration Procedure . . . . .            | 4-34 |
| 4-13 | FM CALIBRATION . . . . .                      | 4-37 |
|      | Equipment Setup . . . . .                     | 4-37 |
|      | FM Calibration Procedure . . . . .            | 4-38 |
| 4-14 | PHASE MODULATION ( $\Phi$ M) CALIBRATION. . . | 4-51 |
|      | Equipment Setup . . . . .                     | 4-51 |
|      | $\Phi$ M Calibration Procedure . . . . .      | 4-52 |

### ***Chapter 5 - Troubleshooting***

|     |  |      |
|-----|--|------|
| 5-1 | INTRODUCTION . . . . .   | 5-3  |
| 5-2 | RECOMMENDED TEST EQUIPMENT . . . . .                             | 5-3  |
| 5-3 | ERROR AND WARNING/STATUS MESSAGES. . .                           | 5-3  |
|     | Self-Test Error Messages. . . . .                                | 5-3  |
|     | Normal Operation Error and Warning/<br>Status Messages . . . . . | 5-7  |
| 5-4 | MALFUNCTIONS NOT DISPLAYING AN ERROR<br>MESSAGE . . . . .        | 5-10 |
| 5-5 | TROUBLESHOOTING TABLES . . . . .                                 | 5-10 |

### ***Chapter 6 - Removal and Replacement Procedures***

|     |  |     |
|-----|--|-----|
| 6-1 | INTRODUCTION . . . . .                                       | 6-3 |
| 6-2 | REMOVING AND REPLACING THE CHASSIS<br>COVERS . . . . .       | 6-4 |
|     | Preliminary . . . . .  | 6-4 |
|     | Procedure . . . . .  | 6-4 |
| 6-3 | REMOVING AND REPLACING THE FRONT<br>PANEL ASSEMBLY . . . . . | 6-6 |
|     | Preliminary . . . . .  | 6-6 |
|     | Procedure . . . . .  | 6-6 |
| 6-4 | REMOVING AND REPLACING THE A3, A4, A5,<br>OR A6 PCB. . . . . | 6-8 |
|     | Preliminary . . . . .  | 6-8 |
|     | Procedure . . . . .  | 6-8 |

**Table of Contents (Continued)**

|      |   |      |
|------|---|------|
| 6-5  | REMOVING AND REPLACING THE A7 PCB. . .                              | 6-10 |
|      | Preliminary . . . . .   | 6-10 |
|      | Procedure . . . . .   | 6-10 |
| 6-6  | REMOVING AND REPLACING THE A8, A9, A10,<br>A11, OR A12 PCB. . . . . | 6-10 |
|      | Preliminary . . . . .   | 6-10 |
|      | Procedure . . . . .   | 6-10 |
| 6-7  | REMOVING AND REPLACING THE A13, A14,<br>OR A15 PCB . . . . .        | 6-11 |
|      | Preliminary. . . . .  | 6-11 |
|      | Procedure . . . . .   | 6-11 |
| 6-8  | REMOVING AND REPLACING THE A16<br>OR A17 PCB . . . . .              | 6-11 |
|      | Preliminary. . . . .  | 6-11 |
|      | Procedure . . . . .   | 6-11 |
| 6-9  | REMOVING AND REPLACING THE A18<br>OR A19 PCB . . . . .              | 6-12 |
|      | Preliminary . . . . .   | 6-12 |
|      | Procedure . . . . .   | 6-12 |
| 6-10 | REMOVING AND REPLACING THE REAR<br>PANEL ASSEMBLY . . . . .         | 6-13 |
|      | Preliminary . . . . .   | 6-13 |
|      | Procedure . . . . .   | 6-13 |
| 6-11 | REMOVING AND REPLACING THE A21 PCB . .                              | 6-16 |
|      | Preliminary . . . . .   | 6-16 |
|      | Procedure . . . . .   | 6-16 |
| 6-12 | REMOVING AND REPLACING THE A21-1 PCB .                              | 6-17 |
|      | Preliminary . . . . .   | 6-17 |
|      | Procedure . . . . .   | 6-17 |
| 6-13 | REMOVING AND REPLACING THE FAN<br>ASSEMBLY . . . . .                | 6-18 |
|      | Preliminary . . . . .   | 6-18 |
|      | Procedure . . . . .   | 6-18 |

**Appendix A - Test Records**

|     |                       |     |
|-----|-----------------------|-----|
| A-1 | INTRODUCTION. . . . . | A-1 |
|-----|-----------------------|-----|

# **Chapter 1**

## **General Information**

### **Table of Contents**

---

|      |  |      |
|------|--|------|
| 1-1  | SCOPE OF MANUAL . . . . .                                    | 1-3  |
| 1-2  | INTRODUCTION . . . . .                                       | 1-3  |
| 1-3  | DESCRIPTION . . . . .  | 1-3  |
| 1-4  | IDENTIFICATION NUMBER . . . . .                              | 1-5  |
| 1-5  | ELECTRONIC MANUAL . . . . .                                  | 1-6  |
| 1-6  | RELATED MANUALS . . . . .                                    | 1-6  |
|      | Operation Manual . . . . .                                   | 1-6  |
|      | GPIB Programming Manual . . . . .                            | 1-6  |
|      | SCPI Programming Manual . . . . .                            | 1-6  |
| 1-7  | OPTIONS . . . . .  | 1-7  |
| 1-8  | LEVEL OF MAINTENANCE . . . . .                               | 1-8  |
|      | Troubleshooting . . . . .                                    | 1-8  |
|      | Repair . . . . .   | 1-8  |
|      | Calibration . . . . .  | 1-8  |
|      | Preventive Maintenance . . . . .                             | 1-8  |
| 1-9  | PREVENTIVE MAINTENANCE . . . . .                             | 1-9  |
| 1-10 | STATIC-SENSITIVE COMPONENT HANDLING<br>PRECAUTIONS . . . . . | 1-9  |
| 1-11 | STARTUP CONFIGURATIONS . . . . .                             | 1-11 |
| 1-12 | RECOMMENDED TEST EQUIPMENT . . . . .                         | 1-12 |
| 1-13 | EXCHANGE ASSEMBLY PROGRAM . . . . .                          | 1-14 |
| 1-14 | REPLACEABLE SUBASSEMBLIES AND PARTS                          | 1-15 |



**Figure 1-1.** Typical Series 682XXB/683XXB Synthesized Signal Generator (Model 68369B Shown)

# Chapter 1

## General Information

### **1-1** SCOPE OF MANUAL

This manual provides service information for all models of the Series 682XXB/683XXB Synthesized Signal Generators. The service information includes replaceable parts information, functional circuit descriptions, block diagrams, performance verification tests, and procedures for calibration, troubleshooting, and assembly/subassembly removal and replacement. (Throughout this manual, the terms *682XXB/683XXB* and *signal generator* will be used interchangeably to refer to the instrument.) Manual organization is shown in the table of contents.

#### **NOTE**

Service information for the series 682XXB signal generators and series 683XXB signal generators is combined into one manual because identical model numbers of each series contain the same assemblies, subassemblies, and components. Differences between the series are noted where applicable throughout the manual.

### **1-2** INTRODUCTION

This chapter provides a general description of the Series 682XXB/683XXB Synthesized Signal Generators, identification numbers, related manuals, and options. Information is included concerning level of maintenance, replaceable subassemblies and RF components, exchange assembly program, and preventive maintenance. Static-sensitive component handling precautions and lists of exchangeable subassemblies and recommended test equipment are also provided.

### **1-3** DESCRIPTION

The Series 682XXB Synthesized Signal Generator and the Series 683XXB Synthesized Signal Generator are microprocessor-based, synthesized signal sources with high resolution phase-lock capability. They generate both discrete CW frequencies and broad (full range) and narrow band sweeps across the frequency range of 10 MHz to 65 GHz. All functions of the signal generators are fully controllable locally from the front panel or remotely (except for power on/standby) via the IEEE-488 General Purpose Interface Bus (GPIB).

The Series 682XXB Synthesized Signal Generator and the Series 683XXB Synthesized Signal Generator each presently consists of 15 models covering a variety of frequency ranges and power levels. Table 1-1, pages 1-4 and 1-5, lists models, frequency ranges, and maximum leveled output.

**Table 1-1.** Series 682XXB/683XXB Models (1 of 2)

| <b>68XXB<br/>Model</b> | <b>Frequency<br/>(GHz)</b> | <b>Output Power</b> | <b>Output Power<br/>w/Step Attenuator</b> |
|------------------------|----------------------------|---------------------|---|
| 68X37B                 | 2.0 – 20.0 GHz             | +13.0 dBm           | +11.0 dBm                                 |
| 68X45B                 | 0.5 – 20.0 GHz             | +13.0 dBm           | +11.0 dBm                                 |
| 68X47B                 | 0.01 – 20.0 GHz            | +13.0 dBm           | +11.0 dBm                                 |
| 68X53B                 | 2.0 – 20.0 GHz             | +9.0 dBm            | +7.0 dBm                                  |
|                        | 20.0 – 26.5 GHz            | +6.0 dBm            | +3.5 dBm                                  |
| 68X55B                 | 0.5 – 2.2 GHz              | +13.0 dBm           | +11.0 dBm                                 |
|                        | 2.2 – 20.0 GHz             | +9.0 dBm            | +7.0 dBm                                  |
|                        | 20.0 – 26.5 GHz            | +6.0 dBm            | +3.5 dBm                                  |
| 68X59B                 | 0.01 – 2.0 GHz             | +13.0 dBm           | +11.0 dBm                                 |
|                        | 2.0 – 20.0 GHz             | +9.0 dBm            | +7.0 dBm                                  |
|                        | 20.0 – 26.5 GHz            | +6.0 dBm            | +3.5 dBm                                  |
| 68X63B                 | 2.0 – 20.0 GHz             | +9.0 dBm            | +7.0 dBm                                  |
|                        | 20.0 – 40.0 GHz            | +6.0 dBm            | +3.0 dBm                                  |
| 68X65B                 | 0.5 – 2.2 GHz              | +13.0 dBm           | +11.0 dBm                                 |
|                        | 2.2 – 20.0 GHz             | +9.0 dBm            | +7.0 dBm                                  |
|                        | 20.0 – 40.0 GHz            | +6.0 dBm            | +3.0 dBm                                  |
| 68X69B                 | 0.01 – 2.0 GHz             | +13.0 dBm           | +11.0 dBm                                 |
|                        | 2.0 – 20.0 GHz             | +9.0 dBm            | +7.0 dBm                                  |
|                        | 20.0 – 40.0 GHz            | +6.0 dBm            | +3.0 dBm                                  |
| 68X75B                 | 0.5 – 2.2 GHz              | +11.0 dBm           | +10.0 dBm                                 |
|                        | 2.2 – 20.0 GHz             | +10.0 dBm           | +8.5 dBm                                  |
|                        | 20.0 – 40.0 GHz            | +2.5 dBm            | 0.0 dBm                                   |
|                        | 40.0 – 50.0 GHz            | +2.5 dBm            | -1.0 dBm                                  |
| 68X77B                 | 0.01 – 2.0 GHz             | +12.0 dBm           | +10.0 dBm                                 |
|                        | 2.0 – 20.0 GHz             | +10.0 dBm           | +8.5 dBm                                  |
|                        | 20.0 – 40.0 GHz            | +2.5 dBm            | 0.0 dBm                                   |
|                        | 40.0 – 50.0 GHz            | +2.5 dBm            | -1.0 dBm                                  |
| 68X85B                 | 0.5 – 2.2 GHz              | +11.0 dBm           | +10.0 dBm                                 |
|                        | 2.2 – 20.0 GHz             | +10.0 dBm           | +8.5 dBm                                  |
|                        | 20.0 – 40.0 GHz            | +2.5 dBm            | 0.0 dBm                                   |
|                        | 40.0 – 50.0 GHz            | +2.0 dBm            | -1.5 dBm                                  |
|                        | 50.0 – 60.0 GHz            | +2.0 dBm            | -2.0 dBm                                  |
| 68X87B                 | 0.01 – 2.0 GHz             | +12.0 dBm           | +10.0 dBm                                 |
|                        | 2.0 – 20.0 GHz             | +10.0 dBm           | +8.5 dBm                                  |
|                        | 20.0 – 40.0 GHz            | +2.5 dBm            | 0.0 dBm                                   |
|                        | 40.0 – 50.0 GHz            | +2.0 dBm            | -1.5 dBm                                  |
|                        | 50.0 – 60.0 GHz            | +2.0 dBm            | -2.0 dBm                                  |
| 68X95B                 | 0.5 – 2.2 GHz              | +11.0 dBm           | Not Available                             |
|                        | 2.2 – 20.0 GHz             | +10.0 dBm           |   |
|                        | 20.0 – 40.0 GHz            | +2.5 dBm            |   |
|                        | 40.0 – 50.0 GHz            | 0.0 dBm             |   |
|                        | 50.0 – 65.0 GHz            | -2.0 dBm            |   |

**Table 1-1.** Series 682XXB/683XXB Models (2 of 2)

| 68XXB Model                                   | Frequency (GHz) | Output Power | Output Power w/Step Attenuator |
|---|-----------------|--------------|--------------------------------|
| 68X97B  | 0.01 – 2.0 GHz  | +12.0 dBm    | Not Available                  |
|   | 2.0 – 20.0 GHz  | +10.0 dBm    |                                |
|   | 20.0 – 40.0 GHz | +2.5 dBm     |                                |
|   | 40.0 – 50.0 GHz | 0.0 dBm      |                                |
|   | 50.0 – 65.0 GHz | -2.0 dBm     |                                |
| <b>With Option 15B (High Power) Installed</b> |                 |              |                                |
| 68X37B  | 2.0 – 20.0 GHz  | +17.0 dBm    | +15.0 dBm                      |
| 68X45B  | 0.5 – 2.2 GHz   | +13.0 dBm    | +11.0 dBm                      |
|   | 2.2 – 20.0 GHz  | +17.0 dBm    | +15.0 dBm                      |
| 68X47B  | 0.01 – 2.0 GHz  | +13.0 dBm    | +11.0 dBm                      |
|   | 2.0 – 20.0 GHz  | +17.0 dBm    | +15.0 dBm                      |
| 68X53B  | 2.0 – 20.0 GHz  | +13.0 dBm    | +11.0 dBm                      |
|   | 20.0 – 26.5 GHz | +10.0 dBm    | +7.5 dBm                       |
| 68X55B  | 0.5 – 2.2 GHz   | +13.0 dBm    | +11.0 dBm                      |
|   | 2.2 – 20.0 GHz  | +13.0 dBm    | +11.0 dBm                      |
|   | 20.0 – 26.5 GHz | +10.0 dBm    | +7.5 dBm                       |
| 68X59B  | 0.01 – 2.0 GHz  | +13.0 dBm    | +11.0 dBm                      |
|   | 2.0 – 20.0 GHz  | +13.0 dBm    | +11.0 dBm                      |
|   | 20.0 – 26.5 GHz | +10.0 dBm    | +7.5 dBm                       |
| 68X63B  | 2.0 – 20.0 GHz  | +13.0 dBm    | +11.0 dBm                      |
|   | 20.0 – 40.0 GHz | +6.0 dBm     | +3.0 dBm                       |
| 68X65B  | 0.5 – 2.2 GHz   | +13.0 dBm    | +11.0 dBm                      |
|   | 2.2 – 20.0 GHz  | +13.0 dBm    | +11.0 dBm                      |
|   | 20.0 – 40.0 GHz | +6.0 dBm     | +3.0 dBm                       |
| 68X69B  | 0.01 – 2.0 GHz  | +13.0 dBm    | +11.0 dBm                      |
|   | 2.0 – 20.0 GHz  | +13.0 dBm    | +11.0 dBm                      |
|   | 20.0 – 40.0 GHz | +6.0 dBm     | +3.0 dBm                       |
| 68X75B  | 0.5 – 50.0 GHz  | Standard     | Standard                       |
| 68X77B  | 0.01 – 50.0 GHz | Standard     | Standard                       |
| 68X85B  | 0.5 – 60.0 GHz  | Standard     | Standard                       |
| 68X87B  | 0.01 – 60.0 GHz | Standard     | Standard                       |
| 68X95B  | 0.5 - 65.0 GHz  | Standard     | Not Available                  |
| 68X97B  | 0.01 – 65.0 GHz | Standard     | Not Available                  |

**1-4 IDENTIFICATION  
NUMBER**

All ANRITSU instruments are assigned a unique six-digit ID number, such as “403002.” The ID number is imprinted on a decal that is affixed to the rear panel of the unit. Special-order instrument configurations also have an additional *special* serial number tag attached to the rear panel of the unit.

When ordering parts or corresponding with ANRITSU Customer Service, please use the correct serial number with reference to the specific instrument's model number (i.e., Model 68347B Synthesized Signal Generator, Serial No. 403002).

## **1-5** ELECTRONIC MANUAL

This manual is available on CD ROM as an Adobe Acrobat Portable Document Format (\*.pdf) file. The file can be viewed using Acrobat Reader, a free program that is also included on the CD ROM. The file is "linked" such that the viewer can choose a topic to view from the displayed "bookmark" list and "jump" to the manual page on which the topic resides. The text can also be word-searched. Contact ANRITSU Customer Service for price and availability.

## **1-6** RELATED MANUALS

This is one of a four manual set that consists of an Operation Manual, a GPIB Programming Manual, a SCPI Programming Manual, and a Maintenance Manual.

### ***Operation Manual***

This manual provides information and instructions for operation of the series 682XXB/683XXB signal generators using the front panel controls. It also includes general information, performance specifications, installation instructions, and operation verification procedures. The ANRITSU part number for the Operation Manual is 10370-10284.

### ***GPIB Programming Manual***

This manual provides information for remote operation of the series 682XXB/683XXB signal generators using Product Specific commands sent from an external controller via the IEEE 488 General Purpose Interface Bus (GPIB). It contains a complete listing and description of all 682XXB/683XXB GPIB Product Specific commands and several programming examples. The ANRITSU part number for the GPIB Programming Manual is 10370-10286.

### ***SCPI Programming Manual***

This manual provides information for remote operation of the series 682XXB/683XXB signal generators using Standard Commands for Programmable Instruments (SCPI) commands sent from an external controller via the IEEE 488 General Purpose Interface Bus (GPIB). It contains a complete listing and description of each command in the 682XXB/683XXB SCPI command set and examples of command usage. The ANRITSU part number for the SCPI Programming Manual is 10370-10288.



**1-7** OPTIONS

The following instrument options are available.

- ❑ **Option 1, Rack Mounting.** Rack mount kit containing a set of track slides (90° tilt capability), mounting ears, and front panel handles for mounting the instrument in a standard 19-inch equipment rack.
- ❑ **Option 2A, 110 dB Step Attenuator.** Adds a 10 dB per step attenuator with a 110 dB range for models having a high-end frequency of  $\leq 26.5$  GHz. Output power is selected directly in dBm on the front panel (or via GPIB). Rated output power is reduced.
- ❑ **Option 2B, 110 dB Step Attenuator.** Adds a 10 dB per step attenuator with a 110 dB range for models having a high-end frequency of  $\leq 40$  GHz. Output power is selected directly in dBm on the front panel (or via GPIB). Rated output power is reduced.
- ❑ **Option 2C, 90 dB Step Attenuator.** Adds a 10 dB per step attenuator with a 90 dB range for models having a high-end frequency of  $\leq 50$  GHz. Output power is selected directly in dBm on the front panel (or via GPIB). Rated output power is reduced.
- ❑ **Option 2D, 90 dB Step Attenuator.** Adds a 10 dB per step attenuator with a 90 dB range for models having a high-end frequency of  $\leq 60$  GHz. Output power is selected directly in dBm on the front panel (or via GPIB). Rated output power is reduced.
- ❑ **Option 6, Phase Modulation ( $\Phi$ M).** Adds phase modulation capability. The internal FM generator becomes the FM/ $\Phi$ M generator. (Not available in combination with Option 7.)
- ❑ **Option 7, Delete AM/FM Generator.** Deletes the internal AM and FM generators. External AM and FM capability remains unchanged. (Not available in combination with Option 8 or Option 20.)
- ❑ **Option 8, Internal Power Meter.** Adds an internal power meter that is compatible with ANRITSU 560-7, 5400-71, or 6400-71 series detectors. (Not available in combination with Option 7.)
- ❑ **Option 9, Rear Panel RF Output.** Moves the RF output connector to the rear panel.
- ❑ **Option 11, 0.1 Hz Frequency Resolution.** Provides frequency resolution of 0.1 Hz.
- ❑ **Option 14, ANRITSU 360B VNA Compatibility.** Modifies rack mounting hardware to mate unit in a ANRITSU 360B VNA console.
- ❑ **Option 15B, High Power Output.** Adds high-power RF components to the instrument providing increased RF output power in the 2–26.5 GHz frequency range. Option 15B is standard in models having a high-end frequency that is  $>40$  GHz.
- ❑ **Option 16, High-Stability Time Base.** Adds an ovenized, 10 MHz crystal oscillator with  $<5 \times 10^{-10}$ /day frequency stability.

- ❑ **Option 17A, No Front Panel.** Deletes the front panel for use in remote control applications where a front panel display or keyboard control are not needed.
- ❑ **Option 18, mmWave Module Bias Output.** Provides bias output for 54000-xWRxx Millimeter Wave Source Modules. BNC Twinax connector, rear panel.
- ❑ **Option 19, SCPI Programmability.** Adds GPIB command mnemonics complying with Standard Commands for Programmable Instruments (SCPI), Version 1993. SCPI programming complies with IEEE 488.2-1987.
- ❑ **Option 20, SCAN Modulator.** Adds an internal SCAN modulator for simulating high-depth amplitude modulated signals in models 68237B/68337B, 68245B/68345B, and 68247B/68347B only. Requires an external modulating signal. (Not available in combination with Option 7.)

## **1-8** LEVEL OF MAINTENANCE

Maintenance of the 682XXB/683XXB consists of:

- ❑ Troubleshooting the instrument to a replaceable subassembly or RF component.
- ❑ Repair by replacing the failed subassembly or RF component.
- ❑ Calibration.
- ❑ Preventive maintenance.

**Troubleshooting** The 682XXB/683XXB firmware includes internal diagnostics that self-test most of the internal assemblies of the instrument. When the signal generator fails self-test, one or more error messages are displayed to aid in troubleshooting the failure to a replaceable subassembly or RF component. Chapter 5 lists and describes the self-test error messages and provides procedures for isolating 682XXB/683XXB failures to a replaceable subassembly or RF component.

**Repair** Most instrument failures are field repairable by replacing the failed subassembly or RF component. Detailed instructions for removing and replacing failed subassemblies and components are provided in Chapter 6.

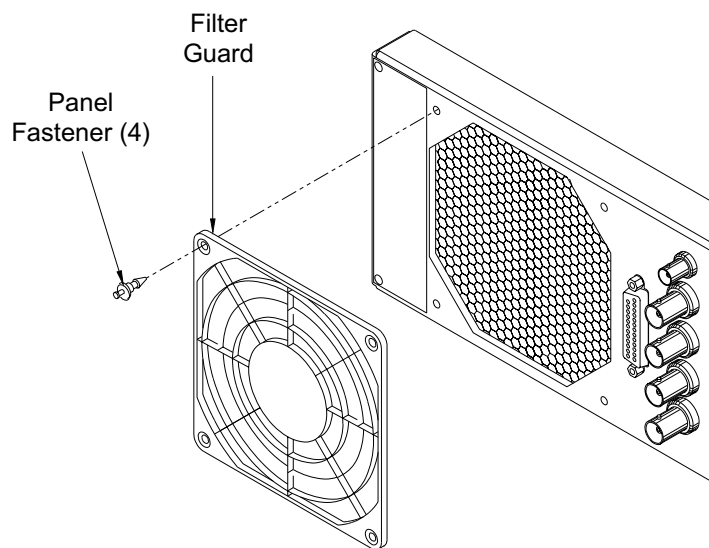
**Calibration** The signal generator may require calibration after repair. Refer to Chapter 4 for a listing of calibration requirements and calibration procedures.

**Preventive Maintenance** Preventive maintenance on the 682XXB/683XXB consists of cleaning the fan honeycomb filter, described in paragraph 1-8.

**1-9 PREVENTIVE  
MAINTENANCE**

The 682XXB/683XXB must always receive adequate ventilation. A blocked fan filter can cause the instrument to overheat and shut down. Check and clean the rear panel fan honeycomb filter periodically. Clean the fan honeycomb filter more frequently in dusty environments. Clean the filter as follows.

- Step 1** Remove the filter guard from the rear panel by pulling out on the four panel fasteners holding them in place (Figure 1-2).
- Step 2** Vacuum the honeycomb filter to clean it.
- Step 3** Install the filter guard back on the rear panel.
- Step 4** Press in on the panel fasteners to secure the filter guard to the rear panel.



**Figure 1-2.** Removing/Replacing the Fan Filter Guard

**1-10 STATIC-SENSITIVE  
COMPONENT  
HANDLING  
PRECAUTIONS**

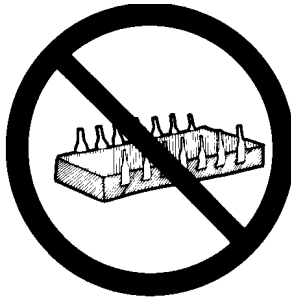
The 682XXB/683XXB contains components that can be damaged by static electricity. Figure 1-3 illustrates the precautions that should be followed when handling static-sensitive subassemblies and components. If followed, these precautions will minimize the possibilities of static-shock damage to these items.

**NOTE**

Use of a grounded wrist strap when removing and/or replacing subassemblies or components is strongly recommended.



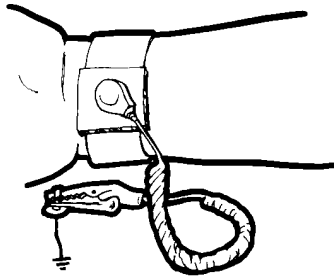
1. Do not touch exposed contacts on any static sensitive component.



2. Do not slide static sensitive component across any surface.



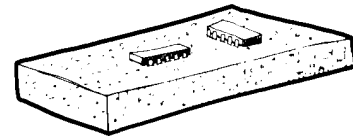
3. Do not handle static sensitive components in areas where the floor or work surface covering is capable of generating a static charge.



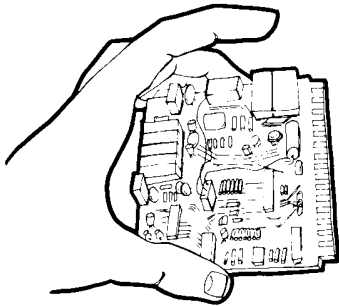
4. Wear a static-discharge wristband when working with static sensitive components.



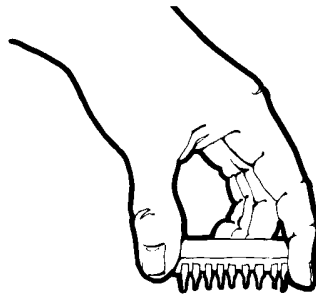
5. Label all static sensitive devices.



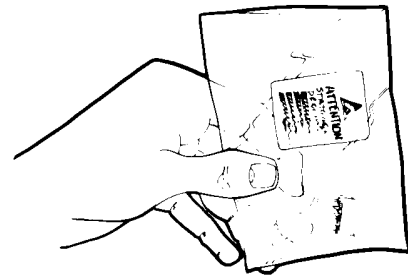
6. Keep component leads shorted together whenever possible.



7. Handle PCBs only by their edges. Do not handle by the edge connectors.



8. Lift & handle solid state devices by their bodies – never by their leads.



9. Transport and store PCBs and other static sensitive devices in static-shielded containers.

**10. ADDITIONAL PRECAUTIONS:**

- Keep workspaces clean and free of any objects capable of holding or storing a static charge.
- Connect soldering tools to an earth ground.
- Use only special anti-static suction or wick-type desoldering tools.

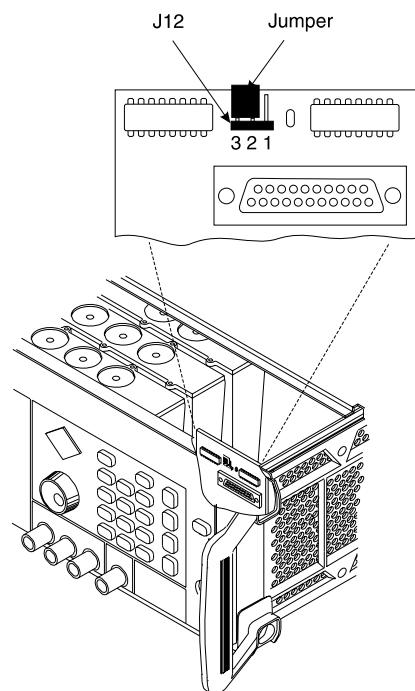
**Figure 1-3.** *Static-Sensitive Component Handling Precautions*

**1-11 STARTUP  
CONFIGURATIONS**

The 682XXB/683XXB comes from the factory with a jumper across pins 2 and 3 of front panel connector J12 (Figure 1-4). In this configuration, connecting the instrument to line power automatically places it in operate mode (front panel OPERATE LED on).

The startup configuration can be changed so that the signal generator comes up in standby mode (front panel STANDBY LED on) when it is connected to line power. Change the startup configuration as follows:

- Step 1**            Disconnect the instrument from line power.
- Step 2**            Remove the top cover from the 682XXB/683XXB. (Refer to Chapter 6 for instructions).
- Step 3**            Locate front panel connector J12 and remove the jumper from across pins 2 and 3. It is located on the A2A1 PCB which plugs into the Front Panel Assembly.
- Step 4**            Install the jumper across pins 1 and 2 of connector J12.
- Step 5**            Install the top cover and connect the signal generator to line power. The instrument should come up in standby mode.



**Figure 1-4.** Startup Configuration of Connector J12

**1-12 RECOMMENDED TEST  
EQUIPMENT**

Table 1-2 provides a list of recommended test equipment needed for the performance verification, calibration, and troubleshooting procedures presented in this manual.

**Table 1-2.** Recommended Test Equipment (1 of 3)

| <b>INSTRUMENT</b>   | <b>CRITICAL SPECIFICATION</b>   | <b>RECOMMENDED MANUFACTURER/MODEL</b>  | <b>USAGE <sup>(1)</sup></b> |
|---|---|--|-----------------------------|
| Spectrum Analyzer, with External Mixers and Diplexer Assy | <i>Frequency Range:</i> 0.01 to 65 GHz<br><i>Resolution Bandwidth:</i> 10 Hz  | Tektronix, Model 2794, with External Mixers:<br>WM780K (18 to 26.5 GHz)<br>WM780A (26.5 to 40 GHz)<br>WM780U (40 to 60 GHz)<br>WM780E (60 to 90 GHz)<br>Diplexer Assy: 015-0385-00   | C, P, T                     |
| Spectrum Analyzer   | <i>Frequency Range:</i> 20 Hz to 40 MHz<br><i>Resolution Bandwidth:</i> 3 Hz  | Hewlett-Packard, Model 3585B   | P                           |
| Frequency Counter with Cable Kit and External Mixer       | <i>Frequency Range:</i> 0.01 to 65 GHz<br><i>Input Impedance:</i> 50Ω<br><i>Resolution:</i> 1 Hz<br><i>Other:</i> External Time Base Input  | EIP Microwave, Inc. Models 538B, 548B, or 578B, with Cable Kit: Option 590 and External Mixer:<br>Option 91 (26.5 to 40 GHz)<br>Option 92 (40 to 60 GHz)<br>Option 93 (60 to 90 GHz) | C, P                        |
| Power Meter, with Power Sensor                            | <i>Power Range:</i> -30 to +20 dBm<br>(1μW to 100mW)  | Hewlett-Packard Model 437B, with Power Sensor:<br>HP 8487A (0.01 to 50 GHz)  | C, P                        |
| Power Meter, with Power Sensor                            | <i>Power Range:</i> -30 to +20 dBm<br>(1μW to 100mW)  | ANRITSU ML4803A, with Power Sensor:<br>MP716A4 (50 to 75 GHz)  | C, P                        |
| Digital Multimeter  | <i>Resolution:</i> 4-1/2 digits (to 20V)<br><i>DC Accuracy:</i> 0.002% +2 counts<br><i>DC Input Impedance:</i> 10 MΩ<br><i>AC Accuracy:</i> 0.07% +100 counts<br>(to 20 kHz)<br><i>AC Input Impedance:</i> 1 MΩ | John Fluke, Inc., Model 8840A, with Option 8840A-09K (True RMS AC)   | C, T                        |
| Frequency Reference                                       | <i>Frequency:</i> 10 MHz<br><i>Accuracy:</i> 5 x 10 <sup>-12</sup> parts/day  | Absolute Time Corp., Model 300   | P                           |
| Frequency Standard  | <i>Frequency:</i> 10 MHz<br><i>Accuracy:</i> 1 x 10 <sup>-10</sup> parts/day  | Spectracom Corp., Model 8161   | C                           |
| Function Generator  | <i>Output Voltage:</i> 2 volts peak-to-peak<br><i>Functions:</i> 0.1 Hz to 100 kHz sine and square waveforms  | Hewlett-Packard, Model 8116A   | C                           |
| Function Generator  | <i>Output Voltage:</i> 2 volts peak-to-peak<br><i>Functions:</i> 0.1 Hz to 100 kHz sine and square waveforms  | Hewlett-Packard, Model 33120A  | C                           |

**Table 1-2.** Recommended Test Equipment (2 of 3)

| <b>INSTRUMENT</b>                         | <b>CRITICAL SPECIFICATION</b>  | <b>RECOMMENDED MANUFACTURER/MODEL</b>   | <b>USAGE <sup>(1)</sup></b> |
|---|--|---|-----------------------------|
| Modulation Analyzer                       | <i>Frequency Input:</i> 10 MHz<br>(or the IF of the Spectrum Analyzer)<br><i>AM Depth:</i> 0% to 90%<br><i>AM Modulation Rates:</i> DC to 100 kHz<br><i>Filters:</i> 20 kHz lowpass, 300 Hz highpass | Hewlett-Packard, Model 8901A  | P                           |
| Oscilloscope                              | <i>Bandwidth:</i> DC to 150 MHz<br><i>Vertical Sensitivity:</i> 2mV/division<br><i>Horizontal Sensitivity:</i> 50 ns/division  | Tektronix, Inc. Model TAS485  | P, T                        |
| Mixer                                     | <i>Frequency Range:</i> 1 to 26 GHz  | Macom Micro Electronics Div.<br>Model DMS1-26A  | P                           |
| Scalar Network Analyzer, with RF Detector | <i>Frequency Range:</i> 0.01 to 50 GHz   | ANRITSU, Model 562, with RF Detector:<br>560-7K50 (0.01 to 40 GHz)<br>560-7VA50 (0.01 to 50 GHz)<br>SC5198 (40 to 60 GHz) | C, T                        |
| Adapter                                   | K (male) to 2.4 mm (female)<br>Adapts the Power Sensor, HP 8487A, to the 682XXB/683XXB RF OUTPUT connector ( $\leq$ 40 GHz models)   | Hewlett-Packard<br>Part Number: HP 11904D   | C, P                        |
| Adapter                                   | Adapts the MP716A4 Power Sensor to the ML4803A Power Meter   | ANRITSU MA4002B   | C, P                        |
| Adapter                                   | WR15 to V (male)<br>Adapts the MP716A4 Power Sensor to the 682XXB/683XXB RF OUTPUT connector ( $>$ 40 GHz models)  | ANRITSU, Model 35WR15V  | C, P                        |
| Attenuator                                | <i>Frequency Range:</i> DC to 40 GHz<br><i>Max Input Power:</i> $>+17$ dBm<br><i>Attenuation:</i> 10 dB  | ANRITSU, Model 41KC-10  | C, P                        |
| Attenuator                                | <i>Frequency Range:</i> DC to 40 GHz<br><i>Max Input Power:</i> $>+17$ dBm<br><i>Attenuation:</i> 20 dB  | ANRITSU, Model 41KC-20  | P                           |
| Attenuator                                | <i>Frequency Range:</i> DC to 60 GHz<br><i>Max Input Power:</i> $>+17$ dBm<br><i>Attenuation:</i> 10 dB  | ANRITSU, Model 41V-10   | C, P                        |
| Attenuator                                | <i>Frequency Range:</i> DC to 60 GHz<br><i>Max Input Power:</i> $>+17$ dBm<br><i>Attenuation:</i> 20 dB  | ANRITSU, Model 41V-20   | P                           |
| RF Detector                               | <i>Frequency Range:</i> 0.01 to 40 GHz<br><i>Output Polarity:</i> Negative   | ANRITSU, Model 75KC50<br>(K input/BNC output connectors)  | T                           |
| RF Detector                               | <i>Frequency Range:</i> 0.01 to 50 GHz<br><i>Output Polarity:</i> Negative   | ANRITSU, Model 75VA50<br>(V input/BNC output connectors)  | T                           |

**Table 1-2.** Recommended Test Equipment (3 of 3)

| INSTRUMENT                 | CRITICAL SPECIFICATION   | RECOMMENDED MANUFACTURER/MODEL                           | USAGE <sup>(1)</sup> |
|----------------------------|--|--|----------------------|
| Microwave (Pulse) Detector | <i>Output Polarity:</i> Negative<br><i>Frequency Range:</i> 0.01 to 40 GHz   | ANRITSU, Model SC3800<br>(K input/BNC output connectors) | P                    |
| High Pass Filter           | 150 MHz High-Pass Filter (DC Block)  | Narda, Model 4564  | P                    |
| Low Pass Filter            | 450 MHz Low-Pass Filter  | Mini-Circuits, Model SLP-450                             | P                    |
| Personal Computer          | <i>PC Configuration:</i> IBM AT or compatible<br><i>Operating System:</i> Windows 3.1<br><i>Accessories:</i> Mouse | Any common source  | C                    |
| Serial Interface Assy      | Provides serial interface between the PC and the 682XXB/683XXB.  | ANRITSU P/N: T1678                                       | C                    |
| Tee                        | <i>Connectors:</i> 50Ω BNC   | Any common source  | C, P                 |
| Cables                     | <i>Connectors:</i> 50Ω BNC   | Any common source  | C, P, T              |

**NOTES:** (1) P = Performance Verification Tests (Chapter 3); C = Calibration (Chapter 4); T = Troubleshooting (Chapter 5)

**1-13 EXCHANGE  
ASSEMBLY PROGRAM**

ANRITSU maintains an exchange assembly program for selected 682XXB/683XXB subassemblies and RF components. If a malfunction occurs in one of these subassemblies, the defective unit can be exchanged. Upon receiving your request, ANRITSU will ship the exchange subassembly or RF component to you, typically within 24 hours. You then have 45 days in which to return the defective item. All exchange subassemblies or RF components are warranted for 90 days from the date of shipment, or for the balance of the original equipment warranty, whichever is longer.

Please have the exact model number and serial number of your unit available when requesting this service, as the information about your unit is filed according to the instrument's model and serial number. For more information about the program, contact your local sales representative or call your local ANRITSU service center. Refer to Table 1-5, on page 1-18, for a list of current ANRITSU service centers.

**1-14 REPLACEABLE  
SUBASSEMBLIES  
AND PARTS**

Table 1-3 lists those replaceable subassemblies and RF components of the 682XXB/683XXB that are presently covered by the ANRITSU exchange assembly program. Table 1-4, on page 1-16, lists common replaceable parts for the 682XXB/683XXB that are not presently on the exchange assembly program.

All parts listed in Tables 1-3 and 1-4 may be ordered from your local ANRITSU service center.



**Table 1-3. Replaceable Subassemblies and RF Components (1 of 2)**

| <b>SUBASSEMBLY OR PART NAME</b>          | <b>ANRITSU PART NUMBER</b> |
|--|----------------------------|
| <b>Printed Circuit Board Assemblies</b>  |                            |
| Front Panel Assy 683XXB                  | ND40832                    |
| Front Panel Assy 682XXB                  | ND40833                    |
| A3 Reference Loop PCB Assy               | D37436-3                   |
| A4 Coarse Loop PCB Assy                  | D40604-3                   |
| A4 Coarse Loop PCB Assy                  | D40634-3                   |
| A5 Fine Loop PCB Assy                    | D37452-3                   |
| A5 Fine Loop PCB Assy                    | D40605-3                   |
| A5 Fine Loop PCB Assy (w/Option 11)      | ND39917                    |
| A5 Fine Loop PCB Assy                    | D40635-3                   |
| A5 Fine Loop PCB Assy (w/Option 11)      | D40635-7                   |
| A6 Pulse Generator PCB Assy              | D40606-3                   |
| A6 Pulse Generator PCB Assy              | D40626-3                   |
| A7 YIG Loop PCB Assy                     | D40607-3                   |
| A7 YIG Loop PCB Assy                     | D40637-3                   |
| A8 Function Generator PCB Assy           | D37408-3                   |
| A8 Function Generator PCB Assy           | D40608-3                   |
| A9 PIN Control PCB Assy                  | D40609-3                   |
| A9 PIN Control PCB Assy                  | D40629-3                   |
| A9 PIN Control PCB Assy                  | D40639-3                   |
| A10 ALC PCB Assy                         | D40610-3                   |
| A11 FM PCB Assy                          | D40611-3                   |
| A11 FM PCB Assy                          | D40641-3                   |
| A11 FM PCB Assy (w/Option 6)             | D40641-4                   |
| A12 Analog Instruction PCB Assy          | D37448-3                   |
| A12 Analog Instruction PCB Assy (682XXB) | D40612-3                   |
| A13 YIG Driver PCB Assy                  | D40613-3                   |
| A14 SDM Driver PCB Assy, 26.5 GHz        | D40614-4                   |
| A14 SDM, SQM Driver PCB Assy             | D40614-3                   |
| A15 Regulator PCB Assy                   | D40615-3                   |
| A16 CPU Interface PCB Assy               | D37416-3                   |
| A17 CPU PCB Assy                         | D37444-3                   |
| A18 Power Supply PCB Assy                | D40618-3                   |
| A19 Line Conditioner PCB Assy            | D40619-3                   |
| A21 Line Filter/Rectifier PCB Assy       | ND39918                    |
| A21-1 BNC/AUX I/O Connector PCB Assy     | ND39919                    |
| 10 MHz Crystal Oscillator Assy           | D37332                     |

**Table 1-3. Replaceable Subassemblies and RF Components (2 of 2)**

| SUBASSEMBLY OR PART NAME                | ANRITSU PART NUMBER |
|---|---------------------|
| <b>RF Components</b>                    |                     |
| YIG-Tuned Oscillator, 2 to 20 GHz       | C27327              |
| Down Converter                          | D27330              |
| Pulsed Digital Down Converter           | D27370              |
| Switched Doubler Module, 20 to 26.5 GHz | ND40843             |
| Switched Doubler Module, 20 to 40 GHz   | D28535              |
| Source Quadrupler Module, 40 to 50 GHz  | D28185              |
| Source Quadrupler Module, 40 to 60 GHz  | 60-141              |
| Source Quadrupler Module, 40 to 65 GHz  | 60-142              |
| Forward Coupler, 60 GHz and 65 GHz      | C27184              |
| Coupler, 40 GHz                         | D27115              |
| Coupler, 60 GHz                         | D27350              |
| Pulsed Switched Filter                  | D25015              |
| Pulsed Switched Filter                  | D29391              |
| Pulsed Switched Filter (w/Option 15B)   | D26350              |
| Pulsed Switched Filter (w/Option 15B)   | D29392              |
| Output Connector Assy, K female         | ND39077             |
| Output Connector Assy, V female         | ND40835             |
| Step Attenuator, 110 dB, 26.5 GHz       | D27152              |
| Step Attenuator, 110 dB, 40 GHz         | D25080              |
| Step Attenuator, 90 dB, 50 GHz          | D27315              |
| Step Attenuator, 90 dB, 60 GHz          | D28957              |

**Table 1-4. Common Replaceable Subassemblies and Parts (1 of 2)**

| SUBASSEMBLY OR PART NAME                  | ANRITSU PART NUMBER |
|---|---------------------|
| Cap, Protective (for RF Output Connector) | A20304              |
| Cover, Top                                | D37131              |
| Cover, Bottom                             | D37135              |
| Cover, Side                               | D37133              |
| Cover, Side Handle                        | 761-67              |
| Cover, CPU Housing                        | C37063              |
| Cover, Main Card Cage                     | D37064              |
| Cover, Power Supply Housing               | C37062              |
| EMI Gasket for side covers                | 790-437             |
| EMI Gasket for side covers                | 790-390             |
| EMI Gasket for Front Panel Assy           | 790-223             |

**Table 1-4.** *Common Replaceable Subassemblies and Parts (2 of 2)*

| <b>SUBASSEMBLY OR PART NAME</b>                                  | <b>ANRITSU PART NUMBER</b> |
|--|----------------------------|
| Fan Assembly   | A40513                     |
| Fan Mount  | 790-425                    |
| Fan Membrane (Honey Comb Filter)                                 | C37137                     |
| Fan Grill  | 790-426                    |
| Fasteners (for Fan Grill)  | 790-433                    |
| Fuse, 5A, 3AG Slow Blow (110 Vac)                                | 631-33                     |
| Fuse, 2.5A, 3AG Slow Blow (230 Vac)                              | 631-14                     |
| Gasket, RFI ("O"rings for MCX connectors)                        | 790-393                    |
| Handle, Side Carrying  | 783-830                    |
| Screw, Handle Side Carrying                                      | 900-714                    |
| Line Module  | 260-11                     |
| Shield Cover   | D37228                     |
| Shield   | D37229                     |
| Standoff   | 785-922                    |
| Tape   | 850-70                     |
| Foot, Rear Bottom Left   | 2000-548                   |
| Foot, Rear Bottom Right  | 2000-549                   |
| Foot, Rear Top Left  | 2000-552                   |
| Foot, Rear Top Right   | 2000-553                   |
| Screw, Green Head  | 2000-560                   |
| <hr/> <b>682XXB/683XXB without Front Handles Installed</b> <hr/> |                            |
| Foot, Front Bottom Left  | 2000-546                   |
| Foot, Front Bottom Right   | 2000-547                   |
| Foot, Front Top Left   | 2000-550                   |
| Foot, Front Top Right  | 2000-551                   |
| <hr/> <b>682XXB/683XXB with Front Handles Installed</b> <hr/>    |                            |
| Upper Insert   | B37147                     |
| Foot, Bottom Left  | C37170                     |
| Foot, Bottom Right   | C37171                     |
| Handle, Left   | D37168-2                   |
| Handle, Right  | D37169-2                   |
| Tilt Bail  | 790-435                    |

**Table 1-5. ANRITSU Service Centers****UNITED STATES**

ANRITSU COMPANY  
490 Jarvis Drive  
Morgan Hill, CA 95037-2809  
Telephone: (408) 776-8300  
1-800-ANRITSU  
FAX: 408-776-1744

ANRITSU COMPANY  
10 New Maple Ave., Unit 305  
Pine Brook, NJ 07058  
Telephone: (973) 227-8999  
1-800-ANRITSU  
FAX: 973-575-0092

ANRITSU COMPANY  
1155 E. Collins Blvd  
Richardson, TX 75081  
Telephone: 1-800-ANRITSU  
FAX: 972-671-1877

**AUSTRALIA**

ANRITSU PTY. LTD.  
Unit 3, 170 Foster Road  
Mt Waverley, VIC 3149  
Australia  
Telephone: 03-9558-8177  
FAX: 03-9558-8255

**BRAZIL**

ANRITSU ELECTRONICA LTDA.  
Praia de Botafogo, 440, Sala 2401  
CEP22250-040, Rio de Janeiro, RJ, Brasil  
Telephone: 021-527-6922  
FAX: 021-53-71-456

**CANADA**

ANRITSU INSTRUMENTS LTD.  
700 Silver Seven Road, Suite 120  
Kanata, Ontario K2V 1C3  
Telephone: (613) 591-2003  
FAX: (613) 591-1006

**CHINA**

ANRITSU ELECTRONICS (SHANGHAI) CO. LTD.  
2F, Rm B, 52 Section Factory Building  
No. 516 Fu Te Rd (N)  
Shanghai 200131 P.R. China  
Telephone: 21-58680226, 58680227, 58680228  
FAX: 21-58680588

**FRANCE**

ANRITSU S.A  
9 Avenue du Quebec  
Zone de Courtaboeuf  
91951 Les Ulis Cedex  
Telephone: 016-09-21-550  
FAX: 016-44-61-065

**GERMANY**

ANRITSU GmbH  
Grafenberger Allee 54-56  
D-40237 Dusseldorf, Germany  
Telephone: 0211-968550  
FAX: 0211-968555

**INDIA**

MEERA AGENCIES PVT. LTD.  
23 Community Centre  
Zamroodpur, Kailash Colony Extension,  
New Delhi, India 110 048  
Phone: 011-2-6442700/6442800  
FAX : 011-2-644250023

**ISRAEL**

TECH-CENT, LTD.  
4 Raul Valenberg St  
Tel-Aviv 69719  
Telephone: (03) 64-78-563  
FAX: (03) 64-78-334

**ITALY**

ANRITSU Sp.A  
Roma Office  
Via E. Vittorini, 129  
00144 Roma EUR  
Telephone: (06) 50-99-711  
FAX: (06) 50-22-4252

**KOREA**

ANRITSU CORPORATION LTD.  
Head Office:  
14F, Hyunjuk Building 832-41  
Yeoksam-Dong, Kangnam-Ku  
Seoul 135-080, South Korea  
Telephone: 02-553-6603  
FAX: 02-553-6604

Service Center:  
8F Hyunjuk Building  
832-41, Yeoksam Dong  
Kangnam-Gu  
Seoul, South Korea 135-080  
Telephone: 82-2-553-6603  
FAX: 82-2-553-6605

**JAPAN**

ANRITSU CUSTOMER SERVICE LTD.  
1800 Onna Atsugi-shi  
Kanagawa-Prf. 243 Japan  
Telephone: 0462-96-6688  
FAX: 0462-25-8379

**SINGAPORE**

ANRITSU (SINGAPORE) PTE LTD.  
10, Hoe Chiang Road  
#07-01/02 Keppel Towers  
Singapore 089315  
Telephone: 282-2400  
FAX: 282-2533

**SOUTH AFRICA**

ETEC SA  
12 Surrey Square Office Park  
330 Surrey Avenue  
Ferndale, Randburt, 2194  
South Africa  
Telephone: 011-27-11-787-7200  
FAX: 011-27-11-787-0446

**SWEDEN**

ANRITSU AB  
Botivid Center  
Fittja Backe 13A  
145 84 Stockholmn  
Telephone: (08) 534-707-00  
FAX: (08) 534-707-30

**TAIWAN**

ANRITSU CO., INC.  
7F, No. 316, Section 1  
NeiHu Road  
Taipei, Taiwan, R.O.C.  
Telephone: 886-2-8751-1816  
FAX: 886-2-8751-2126

**UNITED KINGDOM**

ANRITSU LTD.  
200 Capability Green  
Luton, Bedfordshire  
LU1 3LU, England  
Telephone: 015-82-433200  
FAX: 015-82-731303

# **Chapter 2**

## **Functional Description**

### **Table of Contents**

---

|     |  |      |
|-----|--|------|
| 2-1 | INTRODUCTION . . . . .                       | 2-3  |
| 2-2 | 682XXB/683XXB MAJOR SUBSYSTEMS . . . . .     | 2-3  |
|     | Digital Control. . . . .                     | 2-3  |
|     | Front Panel . . . . .                        | 2-4  |
|     | Frequency Synthesis. . . . .                 | 2-4  |
|     | Analog Instruction. . . . .                  | 2-5  |
|     | YIG Driver . . . . .                         | 2-5  |
|     | Function Generator . . . . .                 | 2-5  |
|     | ALC/AM/Pulse Modulation. . . . .             | 2-8  |
|     | RF Deck. . . . .                             | 2-8  |
|     | Power Supply . . . . .                       | 2-8  |
|     | Inputs/Outputs . . . . .                     | 2-8  |
|     | Motherboard/Interconnections . . . . .       | 2-9  |
| 2-3 | FREQUENCY SYNTHESIS . . . . .                | 2-9  |
|     | Phase-Lock Loops . . . . .                   | 2-9  |
|     | Overall Operation . . . . .                  | 2-10 |
|     | RF Outputs 0.01 to 65 GHz. . . . .           | 2-13 |
|     | Frequency Modulation . . . . .               | 2-14 |
|     | Phase Modulation (Option 6) . . . . .        | 2-14 |
|     | Analog Sweep Mode (683XXB only) . . . . .    | 2-14 |
|     | Step Sweep Mode. . . . .                     | 2-15 |
| 2-4 | ALC/AM/PULSE MODULATION . . . . .            | 2-15 |
|     | ALC Loop Operation . . . . .                 | 2-15 |
|     | Pulse Generator Operation . . . . .          | 2-18 |
| 2-5 | RF DECK ASSEMBLIES . . . . .                 | 2-19 |
|     | RF Deck Configurations . . . . .             | 2-20 |
|     | YIG-tuned Oscillator . . . . .               | 2-20 |
|     | Power Level Control and Modulation . . . . . | 2-23 |
|     | RF Signal Filtering. . . . .                 | 2-23 |

***Table of Contents (Continued)***

|   |      |
|---|------|
| 0.01 to 2 GHz Down Converter . . . . .          | 2-24 |
| 0.5 to 2.2 GHz Digital Down Converter . . . . . | 2-25 |
| Switched Doubler Module. . . . .                | 2-26 |
| Source Quadrupler Module . . . . .              | 2-29 |
| Power Level Detection/ALC Loop . . . . .        | 2-30 |
| Step Attenuator . . . . .                       | 2-31 |

# Chapter 2

## Functional Description

### **2-1** INTRODUCTION

This chapter provides brief functional descriptions of the major subsystems that are contained in each model of the Series 682XXB/683XXB Synthesized Signal Generators. In addition, the operation of the frequency synthesis, automatic level control (ALC), and RF deck subsystems is described so that the reader may better understand the overall operation of the instrument. Block diagrams are included to supplement the written descriptions.

### **2-2** 682XXB/683XXB MAJOR SUBSYSTEMS

The 682XXB/683XXB circuitry consists of various distinct subsystems that are contained on one or more printed circuit board (PCB) assemblies or in microwave components located on the RF deck. The following paragraphs identify the subsystems that make up the instrument and provide a brief description of each. Figure 2-1 (page 2-6) is an overall block diagram of a typical 682XXB/683XXB.

#### **NOTE**

Identical model numbers of the series 682XXB signal generator and series 683XXB signal generator contain the same major subsystems. The only functional difference between the two series is that the series 683XXB signal generator has the additional capability of generating analog frequency sweeps. This functional difference between the series is noted in the following descriptions where applicable.

#### **Digital Control**

This circuit subsystem consists of the A17 CPU and A16 CPU Interface PCBs. The central processor unit (CPU) is the main controller for the 682XXB/683XXB. This controller directly or indirectly controls all functions of the instrument. The CPU contains memory that stores the main operating system components and instrument firmware, instrument calibration data, and front panel setups in the power-off condition. It has a GPIB interface that allows it to communicate with external devices over the GPIB and it has a serial interface to a serial terminal port on the rear panel. The CPU is directly linked via a dedicated data and address bus to the A2 Front Panel PCB, the A8 Function Generator PCB, the A9 PIN Control PCB, the A10 ALC PCB, the A11 FM PCB, the A12 Analog Instruction PCB, and the A16 CPU Interface PCB.

The CPU is indirectly linked via the A16 CPU Interface PCB to the A3 Reference Loop PCB, the A4 Coarse Loop PCB, the A5 Fine Loop PCB, and the A6 Pulse Generator PCB. The A16 PCB contains circuitry to perform parallel-to-serial and serial-to-parallel data conversion. It also contains circuitry for many of the rear panel signals, a 13-bit resolution DVM, and decoder circuitry for the front panel rotary data knob optical encoder.

***Front Panel***

This circuit subsystem consists of the the A1 Front Panel PCB, the A2 Front Panel Control PCB, and the Liquid Crystal Display (LCD). This subsystem interfaces the front panel LCD, LEDs, and keys to the CPU via the dedicated data and address bus. The front panel rotary data knob is indirectly linked to the CPU via the A16 CPU Interface PCB.

The A1 Front Panel PCB contains the keyboard matrix of conductive rubber switches. The A2 Front Panel Control PCB has circuitry to control the LCD dot-matrix display, turn the front panel LEDs on and off, and convert keyboard switch matrix signals to parallel keycode. It also contains the standby/operate line switch logic circuit and the optical encoder for the rotary data knob.

***Frequency Synthesis***

The frequency synthesis subsystem consists of the A3 Reference Loop PCB, the A4 Coarse Loop PCB, the A5 Fine Loop PCB, the A7 YIG Loop PCB, and the A11 FM PCB. It provides the reference frequencies and phase lock circuits for precise control of the YIG-tuned oscillator frequencies, as follows:

- ❑ The A3 Reference Loop PCB supplies the stable 10 MHz and 500 MHz reference frequency signals for the rest of the frequency synthesis system.
- ❑ The A4 Coarse Loop PCB generates coarse tuning frequencies of 219.5 to 245 MHz for use by the YIG Loop.
- ❑ The A5 Fine Loop PCB provides fine tuning frequencies of 21.5 to 40 MHz for use by the YIG Loop.
- ❑ The A7 YIG Loop PCB performs phase detection of the YIG-tuned oscillator's output frequency and provides a YIG loop error voltage to the A11 FM PCB.
- ❑ The A11 FM PCB processes the YIG loop error voltage, producing a correction signal that is



used to fine tune and phase lock the YIG-tuned oscillator. The A11 PCB also contains circuitry for frequency modulation of the YIG-tuned oscillator RF output.

The CPU sends control data to the A3 Reference Loop PCB, the A4 Coarse Loop PCB, and the A5 Fine Loop PCB via the A16 PCB as serial data words. The CPU controls the A11 FM PCB via the dedicated data and address bus. Refer to paragraph 2-3 for a functional overview of the frequency synthesis subsystem.

***Analog  
Instruction***

The A12 Analog Instruction PCB provides the frequency tuning voltages and frequency band select signals to the A13 YIG Driver PCB. For models with a frequency range greater than 20 GHz, it supplies frequency band select signals to the A14 SDM, SQM Driver PCB. In addition, it provides a 0V to +10V ramp signal to the rear panel HORIZ OUT connector, a V/GHz signal to the rear panel V/GHz OUT connector, and a SLOPE signal to the A10 ALC PCB for slope-vs-frequency correction of the RF output power. The CPU controls the A12 Analog Instruction PCB via the dedicated data and address bus.

***YIG Driver***

The A13 YIG Driver PCB supplies the main tuning current and bias voltages for the 2 to 20 GHz YIG-tuned oscillator. It also provides bias voltages for the Down Converter assembly and the amplifiers located in the Switched Filter assembly.

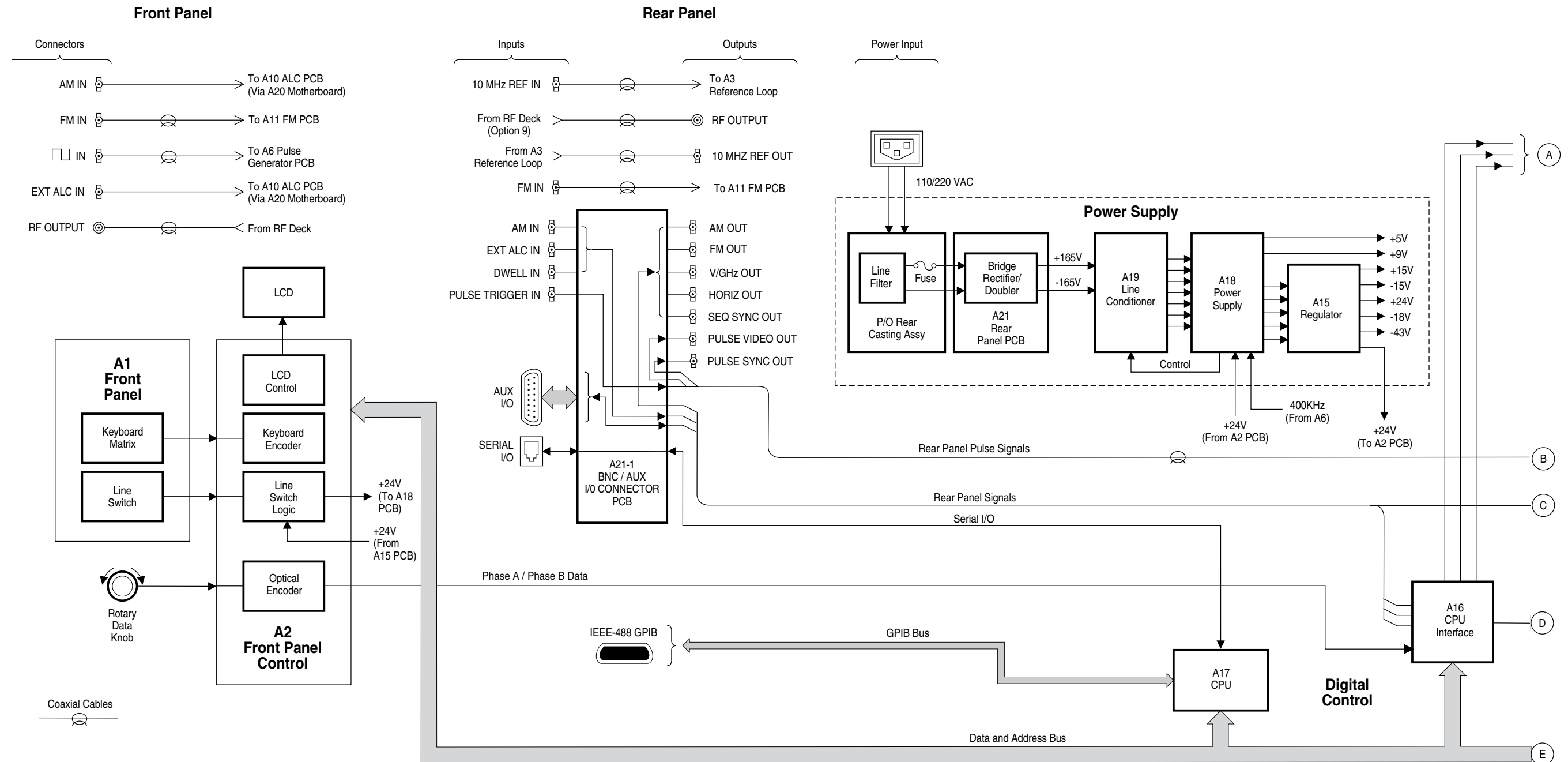
The A12 Analog Instruction PCB provides (1) frequency tuning voltages for the main tuning coil driver of the YIG-tuned oscillator and (2) frequency band select signals to activate the appropriate bias voltage supply.

***Function  
Generator***

The A8 Function Generator PCB provides internally generated waveforms for amplitude and frequency modulation. The waveforms available are sine wave, square wave, triangle wave, positive ramp, negative ramp, Gaussian noise, and uniform noise. The AM waveforms are supplied to the A10 ALC PCB and the rear panel AM OUT connector; the FM waveforms are provided to the A11 FM PCB and the rear panel FM OUT connector. The CPU controls the A8 Function Generator PCB via the dedicated data and address bus.

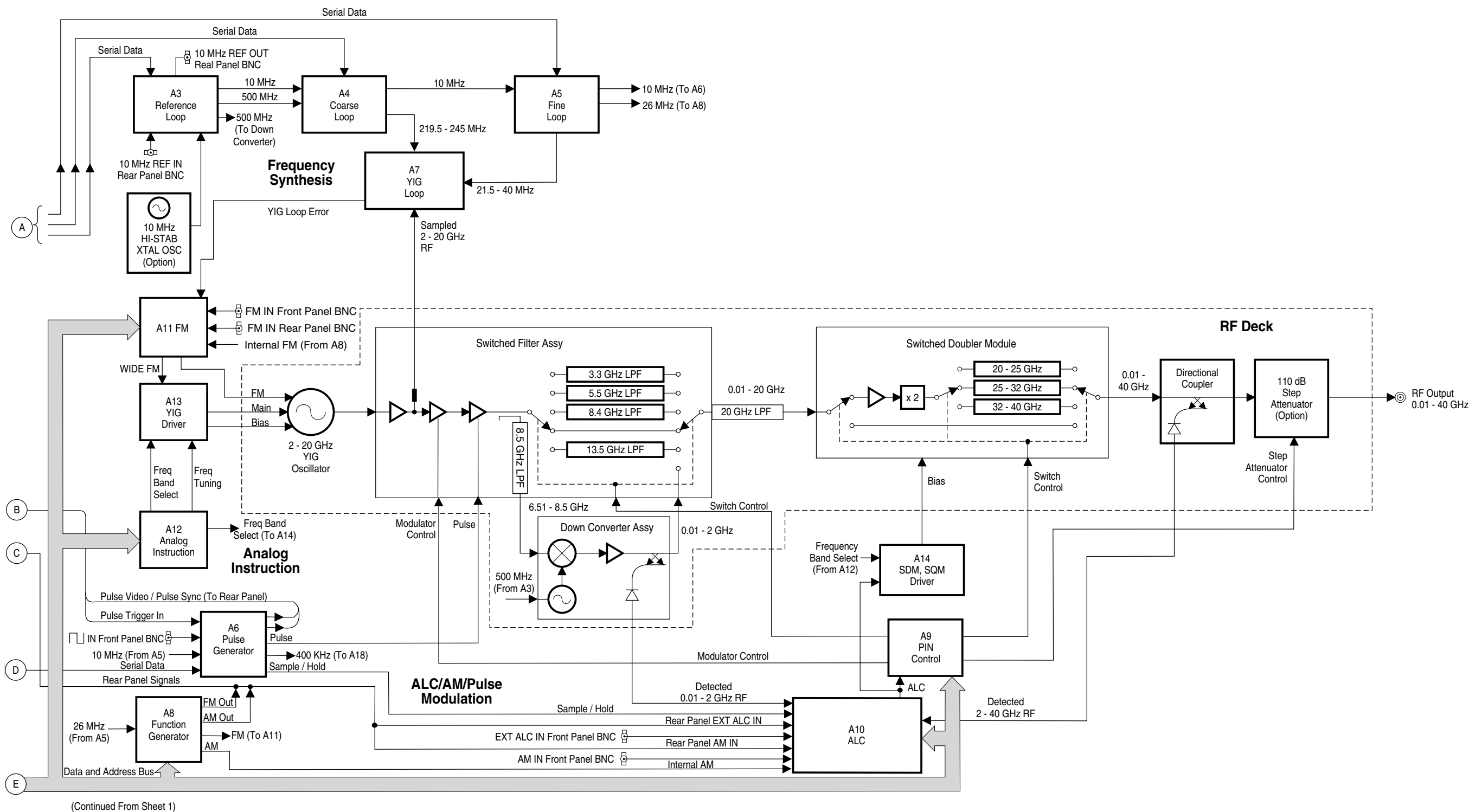
**NOTE**

When Option 6 (phase modulation) is installed, the A8 Function Generator uses its internal FM generator to provide the available waveforms for both frequency and phase modulation.



(Continued on Sheet 2)

**Figure 2-1.** Block Diagram of a Typical 682XXB/683XXB Synthesized Signal Generator (Sheet 1 of 2)



(Continued From Sheet 1)

**Figure 2-1.** Block Diagram of a Typical 682XXB/683XXB Synthesized Signal Generator (Sheet 2 of 2)

***ALC/AM/Pulse  
Modulation***

This circuit subsystem consists of the A6 Pulse Generator PCB, the A9 PIN Control PCB, the A10 ALC PCB, and the A14 SDM, SQM Driver PCB. It provides the following:

- ❑ Level control of the RF output power.
- ❑ AM and pulse modulation of the RF output.
- ❑ Current drive signals to the PIN switches located in the Switched Filter assembly and Switched Doubler Module (SDM).
- ❑ Bias voltages for the SDM and Source Quadrupler Module (SQM).
- ❑ Drive signals for the optional Step Attenuator.

The CPU controls the A9 Pin Control PCB and the A10 ALC PCB via the dedicated data and address bus. It sends control data to the A6 Pulse Generator PCB via the A16 PCB as serial data words. Refer to paragraph 2-4 for a functional overview of the ALC and modulation subsystem.

***RF Deck***

This subsystem contains those elements related to the generation, modulation, and control of the sweep- and CW-frequency RF signals. These elements include; the 2 to 20 GHz YIG-tuned oscillator, the 0.01 to 2 GHz (0.5 to 2.2 GHz) Down Converter assembly, the Switched Filter assembly, the Switched Doubler Module (SDM), the Source Quadrupler Module (SQM), the Directional Coupler/Level Detector, and the optional 110 dB (90 dB) Step Attenuator. Refer to paragraph 2-5 for a functional overview of the RF deck subsystem.

***Power Supply***

The power supply subsystem consists of the A15 Regulator PCB, the A18 Power Supply PCB, the A19 Line Conditioner PCB, and part of the A21 Rear Panel PCB and Rear Casting Assembly. It supplies all the regulated DC voltages used by the signal generator circuits. The voltages are routed throughout the instrument via the A20 Motherboard PCB.

***Inputs/  
Outputs***

The A21-1 BNC/AUX I/O Connector PCB and the A16 CPU Interface PCB contain the interface circuitry for the majority of the rear panel input and output connectors, including the AUX I/O connector.

The front panel AM and External ALC inputs are routed via the A20 Motherboard PCB to the A10 ALC PCB. The front panel FM and Pulse Trigger

**NOTE**

When Option 6 (phase modulation) is installed, the front panel and rear panel FM IN connectors also serve as the  $\Phi$ M IN connectors.

inputs are coupled directly via coaxial cables to their destination PCBs—the FM input to A11 FM PCB and the Pulse/Trigger input to the A6 Pulse Generator PCB.

The rear panel connectors, 10 MHz REF OUT, 10 MHz REF IN, and FM IN, are coupled directly to PCBs via coaxial cables—10 MHz REF OUT and 10 MHz REF IN to the A3 Reference Loop PCB and FM IN to the A11 FM PCB. The rear panel connectors, PULSE TRIGGER IN, PULSE SYNC OUT, and PULSE VIDEO OUT, are coupled via the A21-1 PCB and coaxial cables directly to the A6 Pulse Generator PCB. The rear panel IEEE-488 GPIB and SERIAL I/O connectors are connected to the A17 CPU PCB via the A20 Motherboard PCB.

***Motherboard/  
Interconnec-  
tions***

The A20 Motherboard PCB and associated cables provide the interconnections for the flow of data, signals, and DC voltages between all internal components and assemblies throughout the 682XXB/683XXB.

**2-3 FREQUENCY SYNTHESIS**

The frequency synthesis subsystem provides phase-lock control of the 682XXB/683XXB output frequency. It consists of four phase-lock loops, the Reference Loop, the Coarse Loop, the Fine Loop, and the YIG Loop. The four phase-lock loops, operating together, produce an accurately synthesized, low-noise RF output signal. Figure 2-2 (page 2-11) is an overall block diagram of the frequency synthesis subsystem. The following paragraphs describe phase-lock loops and the overall operation of the frequency synthesis subsystem.

***Phase-Lock  
Loops***

The purpose of a phase-lock loop is to control the frequency of a variable oscillator in order to give it the same accuracy and stability as a fixed reference oscillator. It works by comparing two frequency inputs, one fixed and one variable, and by supplying a correction signal to the variable oscillator to reduce the difference between the two inputs. For example, suppose we have a 10 MHz reference oscillator with a stability of  $1 \times 10^{-7}$ /day, and we wish to transfer that stability to a voltage controlled oscillator (VCO). The 10 MHz reference signal is applied to the reference input of a phase-lock loop circuit. The signal from the VCO is applied to the variable input. A phase detector in the phase-lock loop circuit compares the two inputs and determines whether the variable input waveform is leading or lagging the reference. The phase detector generates a correction

signal that (depending on polarity) causes the VCO frequency to increase or decrease to reduce any phase difference. When the two inputs match, the loop is said to be *locked*. The variable input from the VCO then equals the reference input in phase, frequency, accuracy, and stability.

In practical applications a frequency divider is placed between the output of the variable oscillator and the variable input to the phase-lock loop. The circuit can then be used to control a frequency that is an exact multiple of the reference frequency. In this way, the variable oscillator acquires the stability of the reference without equaling its frequency. In the A3 Reference Loop, the 100 MHz oven-controlled crystal oscillator (OCXO) can be controlled by the phase-lock loop using a 10 MHz reference. This is because a divide-by-ten circuit is between the OCXO's output and the variable input to the phase-lock loop. Both inputs to the phase detector will be 10 MHz when the loop is locked.

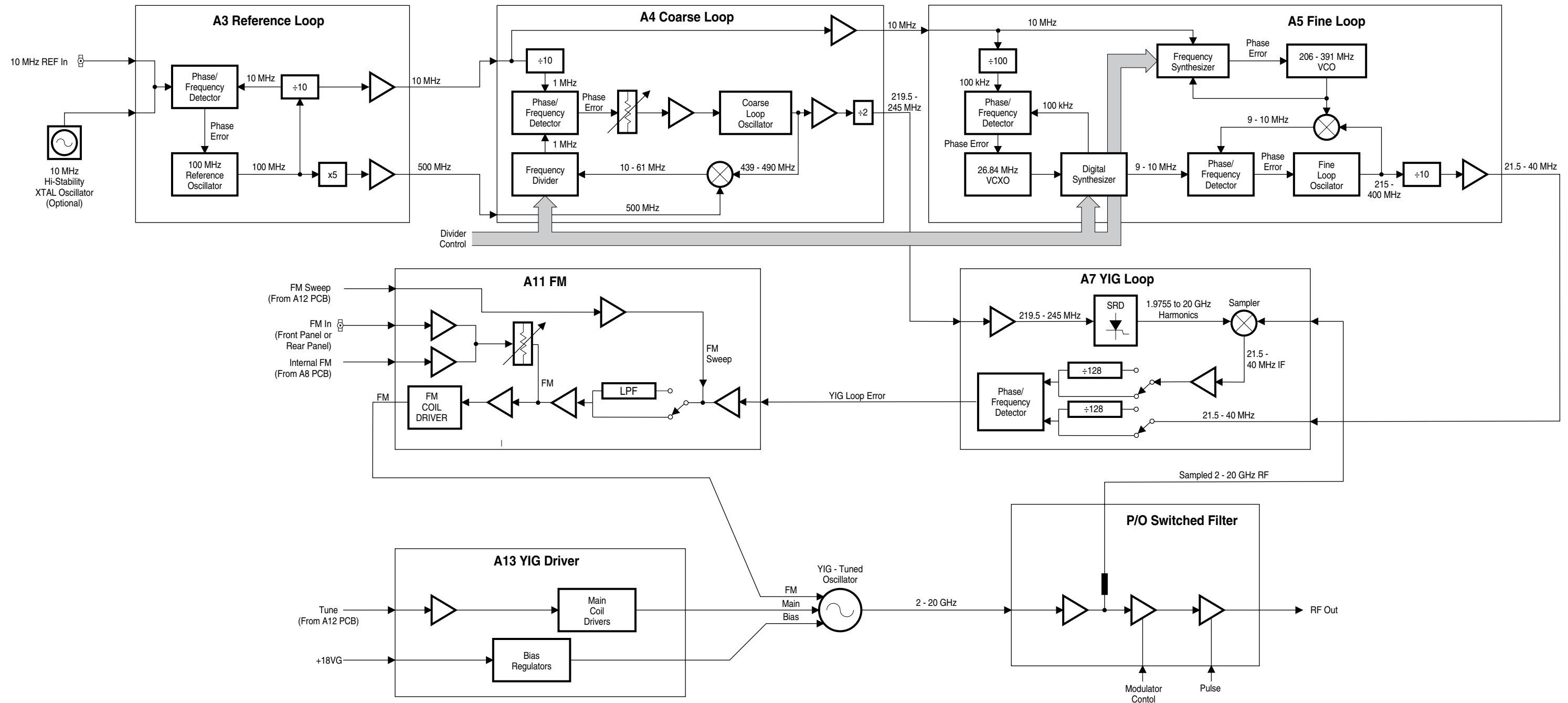
If a programmable frequency divider is used, a number of frequencies can be phase-locked to the same reference. The limitation is that all must be exact multiples of the reference. The A4 Coarse Loop and A5 Fine Loop both use programmable frequency dividers.

### ***Overall Operation***

The YIG-tuned oscillator generates a high-power RF output signal that has low broadband noise and low spurious content. The frequency of the YIG-tuned oscillator is controlled by means of (1) its main tuning coil and (2) its FM (fine tuning) coil. Main tuning coil current from the YIG Driver PCB coarsely tunes the YIG-tuned oscillator to within a few megahertz of the final output frequency. The YIG phase-lock loop is then used to fine tune the YIG-tuned oscillator to the exact output frequency and to reduce FM noise close to the carrier.

One input to the YIG Loop is the 219.5 to 245 MHz signal from the Coarse Loop. This signal is amplified to drive the step-recovery diode. The step-recovery diode produces harmonics of the coarse loop signal ( $\geq 1.9755$  to  $>20$  GHz). These harmonics are used by the sampler.

The other input to the sampler is the RF output signal from the YIG-tuned oscillator. Mixing this RF



**Figure 2-2.** Block Diagram of the Frequency Synthesis Subsystem

output signal sample with the adjacent coarse-loop harmonic produces a low frequency difference signal that is the YIG IF signal (21.5 to 40 MHz).

The 682XXB/683XXB CPU programs the coarse-loop oscillator's output frequency so that one of its harmonics will be within 21.5 to 40 MHz of the desired YIG-tuned oscillator's output frequency. The YIG Loop phase detector compares the YIG IF signal to the 21.5 to 40 MHz frequency reference signal from the Fine Loop. If there is a difference, the YIG phase detector fine tunes the YIG-tuned oscillator (via the FM circuitry and the FM coil driver) to eliminate any frequency difference between the two signals.

**Table 2-1.** RF Output and Loop Frequencies

| RF OUTPUT/LOOP FREQUENCIES<br>(in MHz) |             |           |
|--|-------------|-----------|
| RF OUT                                 | COARSE LOOP | FINE LOOP |
| 2000                                   | 219.5       | 24.5      |
| 3000                                   | 229         | 23        |
| 4000                                   | 234         | 22        |
| 5000                                   | 237         | 23        |
| 6000                                   | 239         | 25        |
| 7000                                   | 240.5       | 25.5      |
| 8000                                   | 241.5       | 30.5      |
| 9000                                   | 242.5       | 27.5      |
| 10000                                  | 243         | 37        |
| 11000                                  | 238.5       | 29        |
| 12000                                  | 239.5       | 25        |

Phase locking the instrument's output frequency over a broad frequency range is accomplished by programming the coarse-loop oscillator's output to various frequencies that have harmonics close to the desired operating frequencies. Exact frequency tuning for each desired operating frequency is accomplished by programming the fine-loop oscillator. (In each case, the YIG-tuned oscillator is first tuned via the main tuning coil to the approximate desired operating frequency.) Table 2-1 shows the coarse-loop and fine-loop frequencies for some specific RF output frequencies.

The coarse-loop oscillator has a programming (tuning) range of 219.5 to 245 MHz and a resolution of 1 MHz. This provides harmonics from  $\geq 1.9755$  GHz to  $>20$  GHz. This allows any YIG-tuned oscillator output frequency to be down converted to a YIG IF signal of 21.5 to 40 MHz.

The YIG Loop is fine tuned by varying the 21.5 to 40 MHz reference frequency signal applied to the YIG loop phase detector. By programming the fine-loop oscillator, this signal can be adjusted in 1 kHz increments over the 21.5 to 40 MHz range. The resolution of the fine-loop oscillator (hence the resolution of the RF output signal) is 1 kHz, which is much finer than is available from the coarse loop alone. For applications requiring a resolution finer than 1 kHz, an optional tuning resolution of 0.1 Hz is available.

The Coarse Loop and Fine Loop outputs are derived from high-stability 10 MHz and 500 MHz signals generated by the Reference Loop. For applications



requiring even greater stability, the 100 MHz reference oscillator can be phase locked to an optional 10 MHz reference (internal or external).

***RF Outputs  
0.01 to 65 GHz***

Refer to the RF Deck block diagram shown in Figure 2-1 (page 2-7) for the following description. The 682XXB/683XXB uses one 2 to 20 GHz YIG-tuned oscillator. All other frequencies output by the signal generator are derived from the fundamental frequencies generated by this YIG-tuned oscillator.

**0.01 to 2 GHz**

RF output frequencies of 0.01 to 2 GHz are generated by down converting the fundamental frequencies of 6.51 to 8.5 GHz. This is achieved using a 6.5 GHz local oscillator signal that is phase locked to the 500 MHz output of the Reference Loop. Precise control of the 0.01 to 2 GHz frequencies to 1 kHz (0.1 Hz with Option 11) accuracy is accomplished by phase-lock control of the 6.51 to 8.5 GHz fundamental frequencies prior to down conversion.

**20 to 40 GHz**

RF output frequencies of 20 to 40 GHz are produced by doubling the 10 to 20 GHz fundamental frequencies. Phase-lock control of the 10 to 20 GHz fundamental frequencies—accomplished prior to doubling—ensures precise control of the 20 to 40 GHz frequencies to 1 kHz (0.1 Hz with Option 11) resolution.

**40 to 65 GHz**

RF output frequencies of 40 to 65 GHz are developed by quadrupling the 10 to 16.25 GHz fundamental frequencies (refer to Figure 2-5, page 2-22). Precise control of the 40 to 65 GHz to 1 kHz (0.1 Hz with Option 11) resolution is achieved by phase-lock control of the 10 to 16.25 GHz fundamental frequencies prior to quadrupling.

**0.5 to 2.2 GHz**

RF output frequencies of 0.5 to 2.2 GHz for the 682X5B/683X5B models are developed by down converting the fundamental frequencies of 2 to 4.4 GHz (refer to Figure 2-6, page 2-27). Phase-lock control of the 2 to 4.4 GHz fundamental frequencies, achieved prior to down converting, ensures precise control of the 0.5 to 2.2 GHz frequencies to 1 kHz (0.1 Hz with Option 11) resolution.

***Frequency  
Modulation***

Frequency modulation (FM) of the YIG-tuned oscillator RF output is achieved by summing an external or internal modulating signal into the FM control path of the YIG loop. Refer to Figures 2-1 and 2-2. The external modulating signal comes from the front panel or rear panel FM IN input; the internal modulating signal comes from the A8 Function Generator PCB. Circuits on the A11 FM PCB adjust the modulating signal for the FM sensitivity selected, then sum it into the YIG loop FM control path. There, it frequency modulates the RF output signal by controlling the YIG-tuned oscillator's FM (fine tuning) coil current.

***Phase  
Modulation  
(Option 6)***

Phase modulation ( $\Phi$ M) of the YIG-tuned oscillator RF output is achieved by summing an external or internal modulating signal into the FM control path of the YIG loop. The external modulating signal comes from the front panel or rear panel FM IN/ $\Phi$ M IN input; the internal modulating signal comes from the A8 Function Generator PCB. Circuits on the A11 FM PCB adjust the modulating signal for the  $\Phi$ M sensitivity selected, convert the modulating signal to a  $\Phi$ M signal by differentiation, and then sum it into the YIG loop FM control path. There, it phase modulates the RF output signal by controlling the YIG-tuned oscillator's FM (fine tuning) coil current.

***Analog Sweep  
Mode  
(683XXB only)***

Broad-band analog frequency sweeps (>100 MHz wide) of the YIG-tuned oscillator RF output are accomplished by applying appropriate analog sweep ramp signals, generated by the A12 Analog Instruction PCB, to the YIG-tuned oscillator's main tuning coil (via the A13 YIG Driver PCB). In this mode, the start, stop, and bandswitching frequencies are phase-lock-corrected during the sweep.

**NOTE**

For 683X5B models at frequencies of  $\leq 2.2$  GHz, broad-band analog frequency sweeps are >25 MHz wide; narrow-band analog frequency sweeps are  $\leq 25$  MHz.

Narrow-band analog frequency sweeps ( $\leq 100$  MHz wide) of the YIG-tuned oscillator RF output are accomplished by summing appropriate analog sweep ramp signals, generated by the A12 Analog Instruction PCB, into the YIG-tuned oscillator's FM tuning coil control path. The YIG-tuned oscillator's RF output is then swept about a center frequency. The center frequency is set by applying a tuning signal (also from the A12 PCB) to the YIG-tuned oscillator's main tuning coil (via the A13 YIG Driver PCB). In this mode, YIG loop phase locking is disabled except during center frequency correction, which occurs during sweep retrace.

**Step Sweep  
Mode**

Step (digital) frequency sweeps of the YIG-tuned oscillator RF output consist of a series of discrete, synthesized steps between a start and stop frequency. Each frequency step is generated by applying the tuning signal (from the A12 Analog Instruction PCB) to the YIG-tuned oscillator's main tuning coil, then phase-locking the RF output. Every frequency step in the sweep range is phase-locked.

**2-4 ALC/AM/PULSE  
MODULATION**

The ALC, AM, and pulse modulation subsystem provides automatic level control (ALC), amplitude modulation (AM), and pulse modulation of the signal generator's RF output signal. The ALC loop consists of circuits located on the A10 ALC PCB, the A9 PIN Control PCB, and the A14 SDM, SQM Driver PCB. These circuits interface with the Switched Filter assembly, the Down Converter assembly, the Source Quadrupler Module (SQM), and the Directional Coupler/Level Detector (all located on the RF deck). AM modulation circuits (located on the A10 ALC PCB) are included in this loop.

Pulse modulation of the RF output signal is provided by circuits located on the A6 Pulse Generator PCB. These circuits interface directly with the Switched Filter assembly located on the RF deck. (In 682X5B/683X5B models, these circuits interface directly to the Digital Down Converter assembly and from there to the Switched Filter assembly.) The overall block diagram of the ALC and modulation subsystem is shown in Figure 2-3, page 2-17. The following paragraphs describe the operation of the subsystem components.

**ALC Loop  
Operation**

In the 682XXB/683XXB, a portion of the RF output is detected and coupled out of the Directional Coupler/Level Detector as the feedback input to the ALC loop. The feedback signal from the detector is routed to the A10 ALC PCB where it is compared with a *reference voltage* that represents the desired RF power output level. If the two voltages do not match, an error correction signal is fed from the A10 ALC PCB to the modulator shaper amplifier circuits located on the A9 PIN Control PCB and the A14 SDM, SQM Driver PCB, if installed. The resulting modulator control voltage output causes the modulators, located in the Switched Filter assembly, the SQM, and the Digital Down Converter assembly (682X5B/683X5B models only), to adjust the RF output level. Thus, the feedback signal from the detector will be set equal to the reference voltage.

**NOTE**

The instrument uses two internal level detection circuits. For frequencies  $< 2$  GHz ( $\leq 2.2$  GHz for 682X5B/683X5B models), the level detector is part of the Down Converter. The signal from this detector is routed to the A10 ALC PCB as the Detector 0 input. For frequencies  $\geq 2$  GHz ( $> 2.2$  GHz for 682X5B/683X5B models), the level detector is part of the main Directional Coupler. The signal from this detector is routed to the A10 ALC PCB as the Detector 1 input.

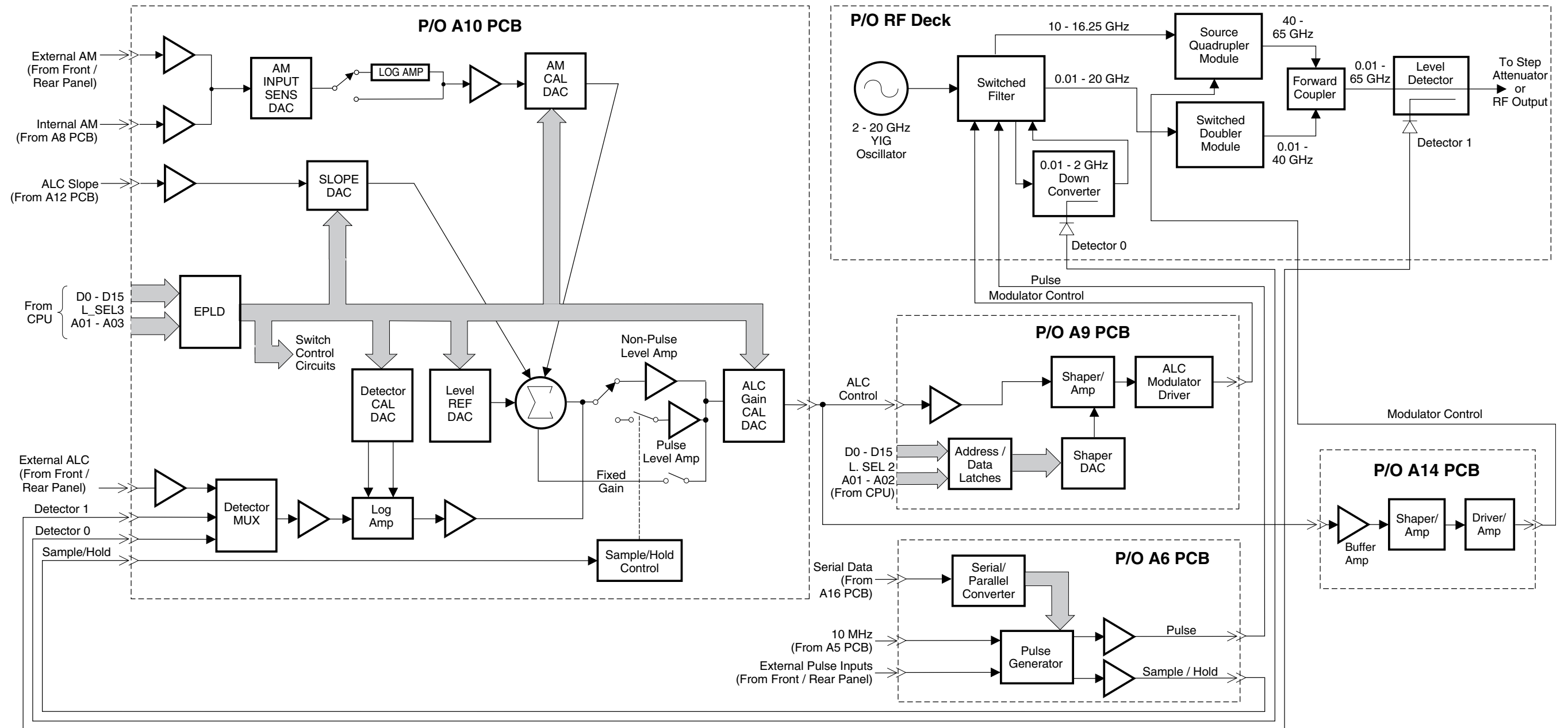
The Level Reference DAC, under the control of the CPU, provides the RF level reference voltage. By setting the output of this DAC to the appropriate voltage, the CPU adjusts the RF output power to the level selected by the user. Leveled output power can be set over a maximum range of up to 28 dB (up to 131 dB with the optional 110 dB step attenuator) using front panel controls or the GPIB. Instruments with Option 15B (High Power) provide leveled output power over a maximum range of up to 22 dB (up to 125 dB with the optional 110 dB step attenuator).

**External Leveling**

In the external leveling mode, an external detector or power meter monitors the RF output level of the 682XXB/683XXB instead of an internal level detector. The signal from the external detector or power meter goes to the A10 ALC PCB from the front or rear panel inputs. The ALC controls the RF power output level as previously described.

**ALC Slope**

During analog sweeps (683XXB only), a slope-vs-frequency signal, from the A12 Analog Instruction PCB, is summed with the level reference and detector inputs into the ALC loop. The Slope DAC, under the control of the CPU, adjusts this ALC slope signal to compensate for an increasing or decreasing output power-vs-frequency characteristic caused by the level detectors and (optional) step attenuator. In addition, the Slope DAC lets the user adjust for the slope-vs-frequency characteristics of external components.



**Figure 2-3.** Block Diagram of the ALC/AM/Pulse Modulation Subsystem

**Power Sweep**

In this mode, the CPU has the ALC step the RF output through a range of levels specified by the user. This feature can be used in conjunction with the sweep mode to produce a set of identical frequency sweeps, each with a different RF power output level.

**Amplitude Modulation**

Amplitude modulation (AM) of the RF output signal is accomplished by summing an external or internal modulating signal into the ALC loop. External modulating signals come from the front panel or rear panel AM IN inputs; the internal modulating signal comes from the A8 Function Generator PCB. The AM Input Sensitivity DAC and the AM Calibration DAC, under the control of the CPU, adjust the modulating signal for the proper amount of AM in both the linear (log amp in) and the log (log amp bypassed) modes of operation. The adjusted modulating signal is summed with the level reference, slope, and detector inputs into the ALC loop. This produces an ALC control signal that varies with the modulating signal. The action of the ALC loop then causes the envelope of the RF output signal to track the modulation signal.

**Pulse Modulation Operation**

During pulse modulation, the ALC level amplifier (A10 ALC PCB) is operated as a sample/hold amplifier. The level amplifier is synchronized with the modulating pulses from the A6 Pulse Generator PCB so that the ALC loop effectively operates only during the *ON* portion of the pulsed modulated RF output.

***Pulse  
Generator  
Operation***

The A6 Pulse Generator PCB provides the internal pulse generating function for the 682XXB/683XXB. It also interfaces external pulse inputs from the front or rear panel connectors to the pulse modulator driver in the external mode.

The pulse generator produces a pulse modulation waveform consisting of single, doublet, triplet, or quadruplet pulse trains at variable pulse rates, widths, and delays. It operates at two selectable clock rates—10 MHz and 40 MHz. In addition, the pulse generator produces a sync pulse and video pulse output that goes to the rear panel and a sample/hold signal that goes to the A10 ALC PCB. The sync pulse output is for synchronizing auxiliary in-

struments to the internally generated pulse; the video pulse is a TTL level copy of the RF output pulse; and the sample/hold signal synchronizes the ALC loop to the *ON* portion of the pulse modulating waveform.

The 682XXB/683XXB has five pulse modulation modes:

- ❑ Internal pulse modulation mode – The pulse modulation waveform is generated and timed internally.
- ❑ External pulse mode – The external pulse source signal from the front or rear panel connectors is interfaced by the pulse generator to the pulse modulation driver.
- ❑ External triggered mode – The pulse generator is triggered by the external pulse source signal to produce the pulse modulation waveform.
- ❑ External gated mode – The external pulse source signal gates the internal pulse generator on and off.
- ❑ Composite mode – The external pulse source signal triggers the internal pulse generator and also modulates the RF output signal. The pulse generator produces a delayed, single pulse waveform that also modulates the RF output signal.

## **2-5 RF DECK ASSEMBLIES**

The primary purpose of the RF deck assembly is to generate CW and swept frequency RF signals and route these signals to the front panel RF OUTPUT connector. It is capable of generating RF signals in the frequency range of 0.01 to 65 GHz.

The series 682XXB/683XXB synthesized signal generators use a single 2 to 20 GHz YIG-tuned oscillator. All other frequencies are derived from the fundamental frequencies generated by this oscillator, as follows:

- ❑ RF output frequencies of 0.01 to 2 GHz are developed by down-converting the fundamental frequencies of 6.51 to 8.5 GHz.
- ❑ RF output frequencies of 0.5 to 2.2 GHz are developed by down-converting the fundamental frequencies of 2 to 4.4 GHz.
- ❑ RF output frequencies of 20 to 40 GHz are produced by doubling the fundamental frequencies of 10 to 20 GHz.
- ❑ RF output frequencies of 40 to 65 GHz are produced by quadrupling the fundamental frequencies of 10 to 16.25 GHz.

The following paragraphs briefly describe the operation of the RF deck assembly.

***RF Deck Con-  
figurations***

All 682XXB/683XXB RF deck assemblies contain a 2 to 20 GHz YIG-tuned oscillator, a switched filter assembly, and a directional coupler. Beyond that, the configuration of the RF deck assembly varies according to the particular instrument model. Block diagrams of the various RF deck configurations are shown in the following figures:

- Figure 2-4, page 2-21, is a block diagram of the RF deck assembly for all  $\leq 40$  GHz models except for 682X5B/683X5B models.
- Figure 2-5, page 2-22, is a block diagram of the RF deck assembly for all  $>40$  GHz models except for 682X5B/683X5B models.
- Figure 2-6, page 2-27, is a block diagram of the RF deck assembly for all  $\leq 40$  GHz 682X5B/683X5B models.
- Figure 2-7, page 2-28, is a block diagram of the RF deck assembly for all  $>40$  GHz 682X5B/683X5B models.

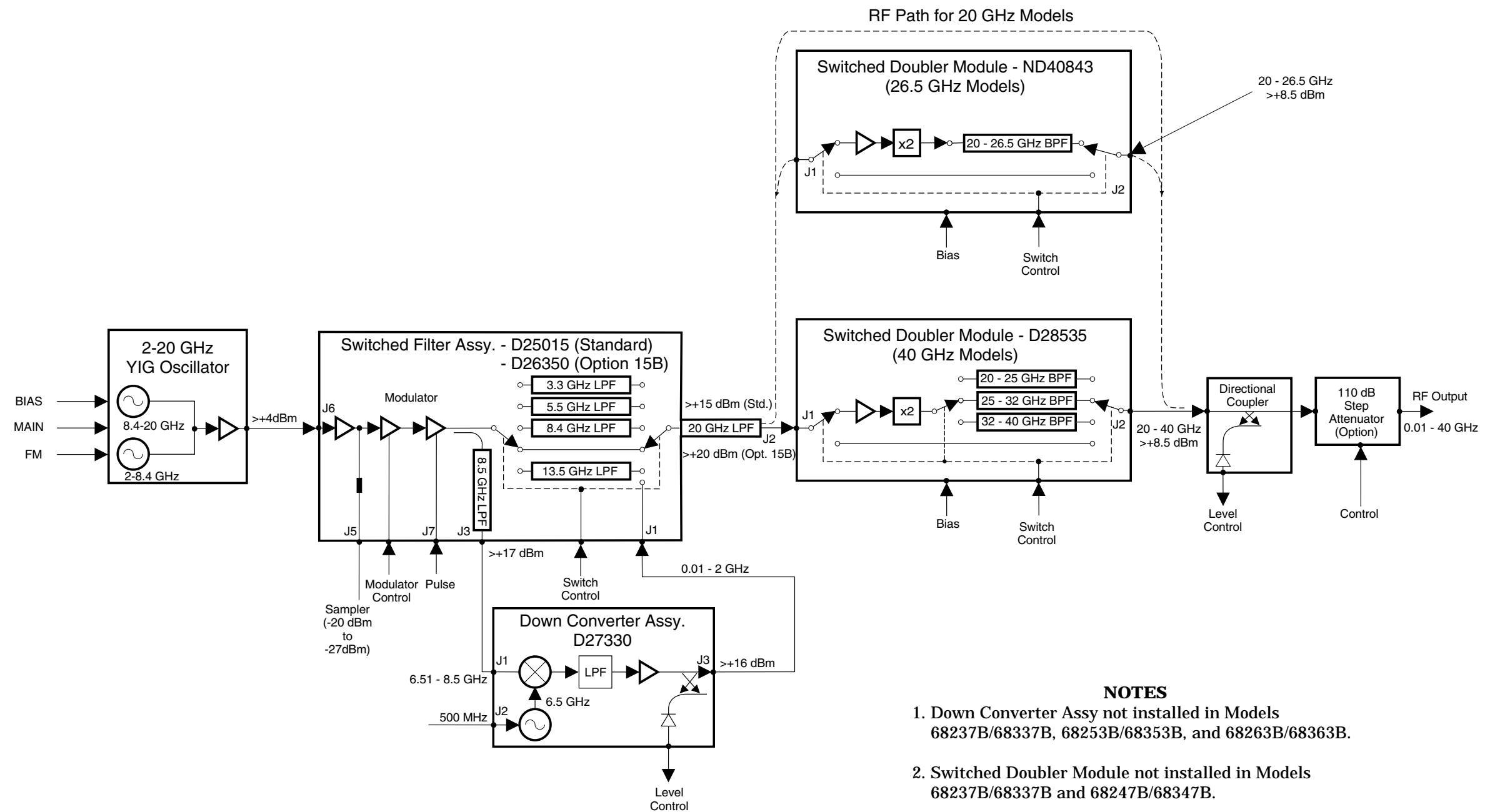
The block diagram of the RF deck shown in Figure 2-4 (page 2-21) includes all of the common RF components found in the 682XXB/683XXB RF deck assemblies. Refer to this block diagram during the descriptions of RF deck operation presented in the following paragraphs.

***YIG-tuned  
Oscillator***

The 2 to 20 GHz YIG-tuned oscillator actually contains two oscillators—one covering the frequency range of 2 to 8.4 GHz and one covering the frequency range of 8.4 to 20 GHz. Both oscillators use a common internal amplifier.

The YIG-tuned oscillator generates RF output signals that have low broadband noise and low spurious content. It is driven by the Main tuning coil current and bias voltages from the A13 YIG Driver PCB and the FM tuning coil current from the A11 FM PCB. During CW mode, the main tuning coil current tunes the oscillator to within a few megahertz of the final output frequency. The phase-lock circuitry of the YIG loop then fine adjusts the oscillator's FM tuning coil current to make the output frequency exact. Frequency modulation of the RF output is also accomplished by summing the modulating signal into the oscillator's FM tuning coil control path.





**Figure 2-4.** Block Diagram of the RF Deck Assembly for all ≤40 GHz Models (except 682X5B/683X5B Models)

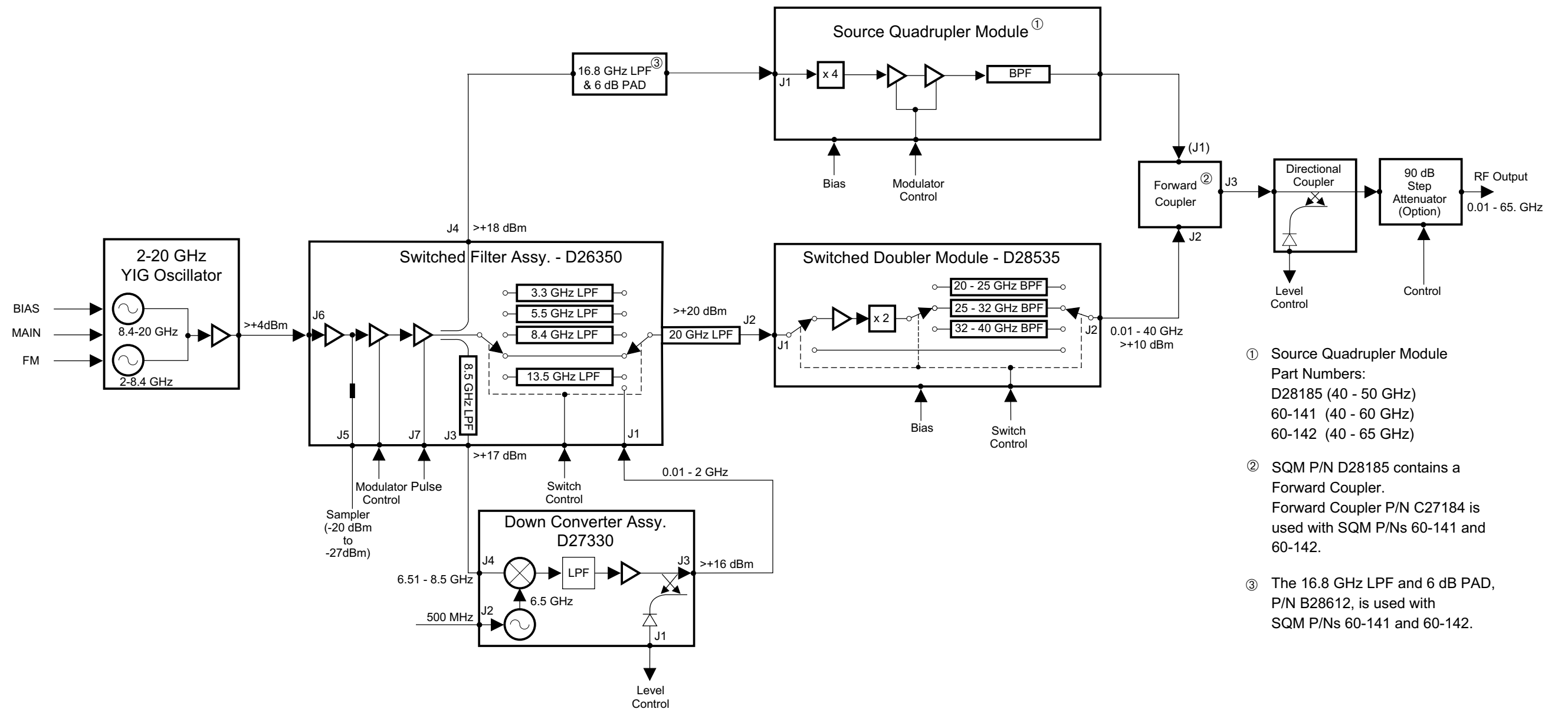


Figure 2-5. Block Diagram of the RF Deck Assembly for all >40 GHz Models (except 682X5B/683X5B Models)

**NOTE**

For 683X5B models at frequencies of  $\leq 2.2$  GHz, broad-band analog frequency sweeps are  $>25$  MHz wide; narrow-band analog frequency sweeps are  $\leq 25$  MHz.

When the 683XXB is generating broad-band analog frequency sweeps ( $>100$  MHz wide), the main tuning coil current tunes the oscillator through the sweep frequency range. Phase locking to fine adjust the oscillator's output frequency is only done at the bottom and top of the sweep ramp and on both sides of each band switch point. Narrow-band analog frequency sweeps ( $\leq 100$  MHz wide) in the 683XXB are accomplished by summing the appropriate sweep ramp signal into the oscillator's FM tuning coil control path. The YIG-tuned oscillator's RF output is then swept about a center frequency that is set by the main tuning coil current. Phase locking to fine tune the output frequency is done at the center frequency of the sweep.

***Power Level  
Control and  
Modulation***

The RF output signal from the YIG-tuned oscillator is fed to connector J6 of the switched filter assembly. In the switched filter assembly, the RF signal is amplified then goes to the modulator. A portion of the RF signal to the modulator is picked off and coupled out via connector J5 to the Sampler for use by the YIG loop circuitry. The modulator provides for power level control, AM, and pulse modulation of the RF output signals.

In addition to the amplified RF signal from the YIG-tuned oscillator, the modulator has two other inputs—the modulator control input and the pulse input. The modulator control input adjusts the gain of the modulator to control the power level of the RF output signals. The modulator control signal is received from the A9 PIN Control PCB where it is developed from the ALC control signal. Amplitude modulation is accomplished by varying the modulator control signal with the modulating signal. Pulse modulation is achieved by switching the modulator on and off at a rate determined by the modulating pulse input. The modulating pulse input is received via connector J7 from the A6 Pulse Generator PCB.

***RF Signal  
Filtering***

The RF signal from the modulator is fed via PIN switches to the switched low-pass filters. PIN switch drive current is received from the A9 PIN Control PCB. A coupler in the switched filter path provides the RF signal for the down converter. Whenever an instrument is generating RF signals of  $<2$  GHz ( $\leq 2.2$  GHz for 682X5B/683X5B models), a RF signal is coupled out, through a 8.5 GHz low-pass filter and connector J3 to the down converter. Another

coupler in the switched filter path of high power switched filter assemblies provides the RF signal for the source quadrupler module (refer to Figure 2-5). Whenever an instrument is generating RF signals of >40 GHz, a RF signal is coupled out via J4 to the source quadrupler module.

The switched low-pass filters provide rejection of the harmonics that are generated by the YIG-tuned oscillator. The 2 to 20 GHz (>2.2 to 20 GHz for 682X5B/683X5B models) RF signal from the modulator has four filtering paths and a through path. The four filtering paths are 3.3 GHz, 5.5 GHz, 8.4 GHz, and 13.5 GHz. Signals above 13.5 GHz are routed via the through path.

After routing through the appropriate path, the 2 to 20 GHz (>2.2 to 20 GHz for 682X5B/683X5B models) RF signal is multiplexed by the PIN switches and goes via a 20 GHz low-pass filter to the switched filter assembly output connector J2. The 0.01 to 2 GHz (0.5 to 2.2 GHz for 682X5B/683X5B models) RF signal, from the down converter, is received at connector J1, then multiplexed through the same path to the switched filter output.

From J2, the RF signal goes to either the directional coupler ( $\leq 20$  GHz models) or the input connector J1 on the switched doubler module (>20 GHz models).

***0.01 to 2 GHz  
Down  
Converter***

The 0.01 to 2 GHz Down Converter assembly (Figures 2-4 and 2-5) contains a 6.5 GHz VCO that is phase-locked to the 500 MHz reference signal from the A3 Reference Loop PCB. The 6.5 GHz VCO's phase-lock condition is monitored by the CPU. The 6.5 GHz VCO is on at all times; however, the down converter amplifier is powered on by the A13 YIG Driver PCB only when the 0.01 to 2 GHz frequency range is selected.

During CW or swept frequency operations in the 0.01 to 2 GHz frequency range, the 6.51 to 8.5 GHz RF signal output from J3 of the switched filter assembly goes to input connector J1 of the down converter. The 6.51 to 8.5 GHz RF signal is then mixed with the 6.5 GHz VCO signal resulting in a 0.01 to 2 GHz RF signal. The resultant RF signal is fed through a 2 GHz low-pass filter, then amplified and routed to the output connector J3. A portion of the down converter's RF output signal is detected,

amplified, and coupled out for use in internal leveling. The detected RF sample is routed to the A10 ALC PCB.

The 0.01 to 2 GHz RF output from the down converter goes to input connector J1 of the switched filter assembly. There, the 0.01 to 2 GHz RF signal is multiplexed into the switched filter's output path.

***0.5 to 2.2 GHz  
Digital Down  
Converter***

The 0.5 to 2.2 GHz Digital Down Converter assembly (Figures 2-6 and 2-7), found in the 682X5B/683X5B models, provides improved phase noise across the 0.5 to 2.2 GHz frequency range. Power is applied to the down converter assembly at all times; however, the down converter amplifier is powered on by the A13 YIG Driver PCB only when the 0.5 to 2.2 GHz frequency range is selected.

During CW or swept frequency operations in the 0.5 to 2.2 GHz frequency range, the 2 to 4.4 GHz RF signal output from J3 of the switched filter assembly goes to the input connector J1 of the digital down converter. In the down converter, the 2 to 4.4 GHz RF signal is divided by 2 to produce frequencies of 1 to 2.2 GHz and divided by 2 again to develop frequencies of 0.5 to 1 GHz. From the frequency dividers, the 0.5 to 2.2 GHz RF signal then goes to the modulator which provides power level control, AM, and pulse modulation of the RF signals.

In addition to the 0.5 to 2.2 GHz RF signal from the frequency dividers, the modulator has two other inputs—the modulator control input and the pulse input. The modulator control input adjusts the gain of the modulator to control the power level of the RF output signals. The modulator control signal is received from the A9 PIN Control PCB where it is developed from the ALC control signal. Amplitude modulation is accomplished by varying the modulator control signal with the modulating signal. Pulse modulation is achieved by switching the modulator on and off at a rate determined by the modulating pulse input. The modulating pulse input is received via connector J4 from the A6 Pulse Generator PCB. The modulating pulse signal is also routed out via connector J5 to the switched filter assembly.

The RF signal from the modulator is amplified and fed via PIN switches to the switched low-pass fil-

ters. PIN switch drive current is generated by internal drivers that are controlled by signals received from the A12 Analog Instruction PCB. The switched low-pass filters provide rejection of unwanted harmonics. The 0.5 to 2.2 GHz RF signal has four filtering paths—700 MHz, 1000 MHz, 1400 MHz, and 2200 MHz. After routing through the appropriate filter path, the 0.5 to 2.2 GHz RF signal goes to connector J2. A portion of the down converter's RF output signal is detected, amplified, and coupled out for use in internal leveling. The detected RF sample is routed to the A10 ALC PCB.

The 0.5 to 2.2 GHz RF output from the down converter goes to input connector J1 of the switched filter assembly. There, the 0.5 to 2.2 GHz RF signal is multiplexed into the switched filter's output path.

***Switched  
Doubler  
Module***

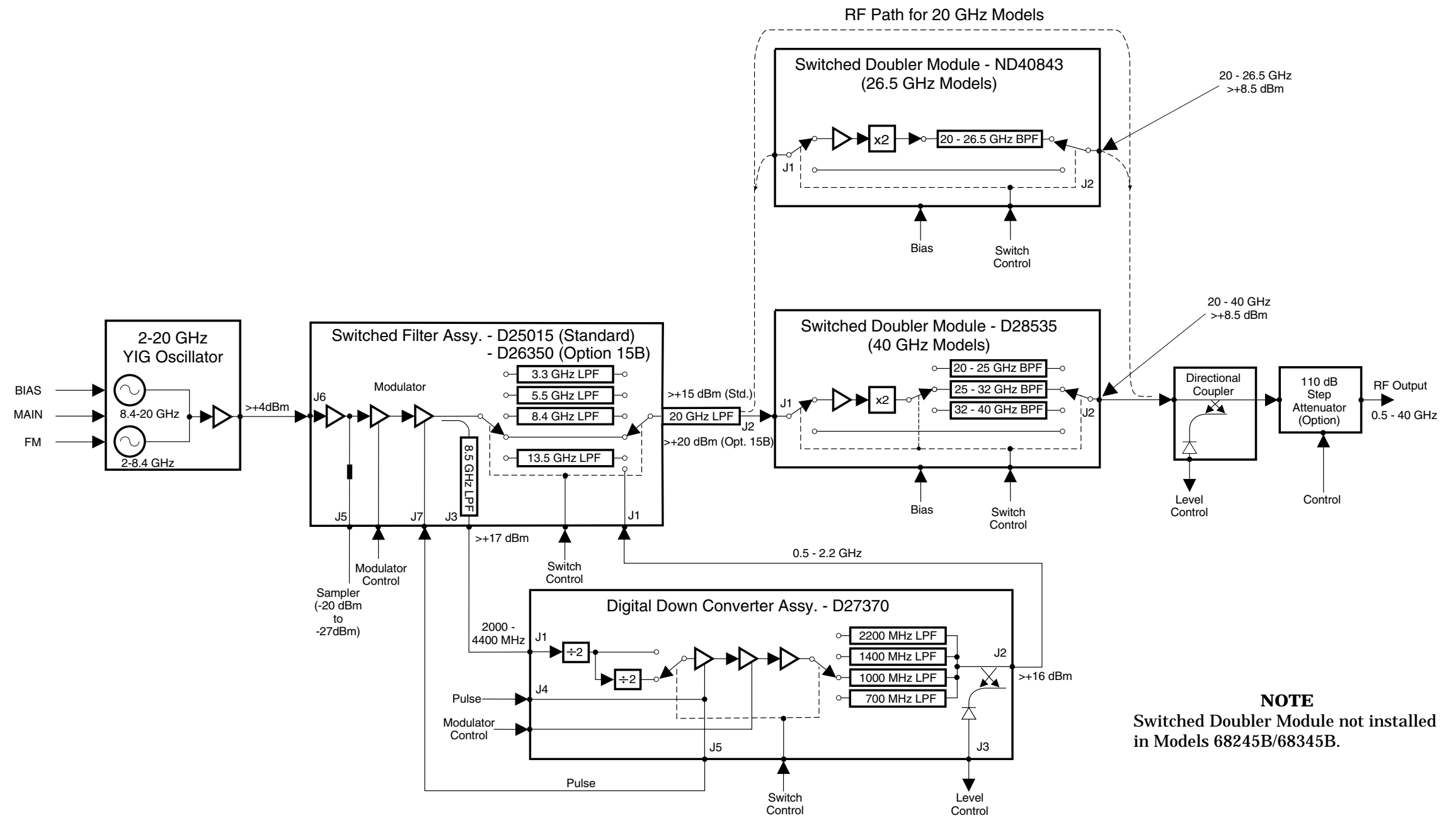
The switched doubler module (SDM), found in >20 GHz models, is used to double the fundamental frequencies of 10 to 20 GHz to produce RF output frequencies of 20 to 40 GHz.

**26.5 GHz Models**

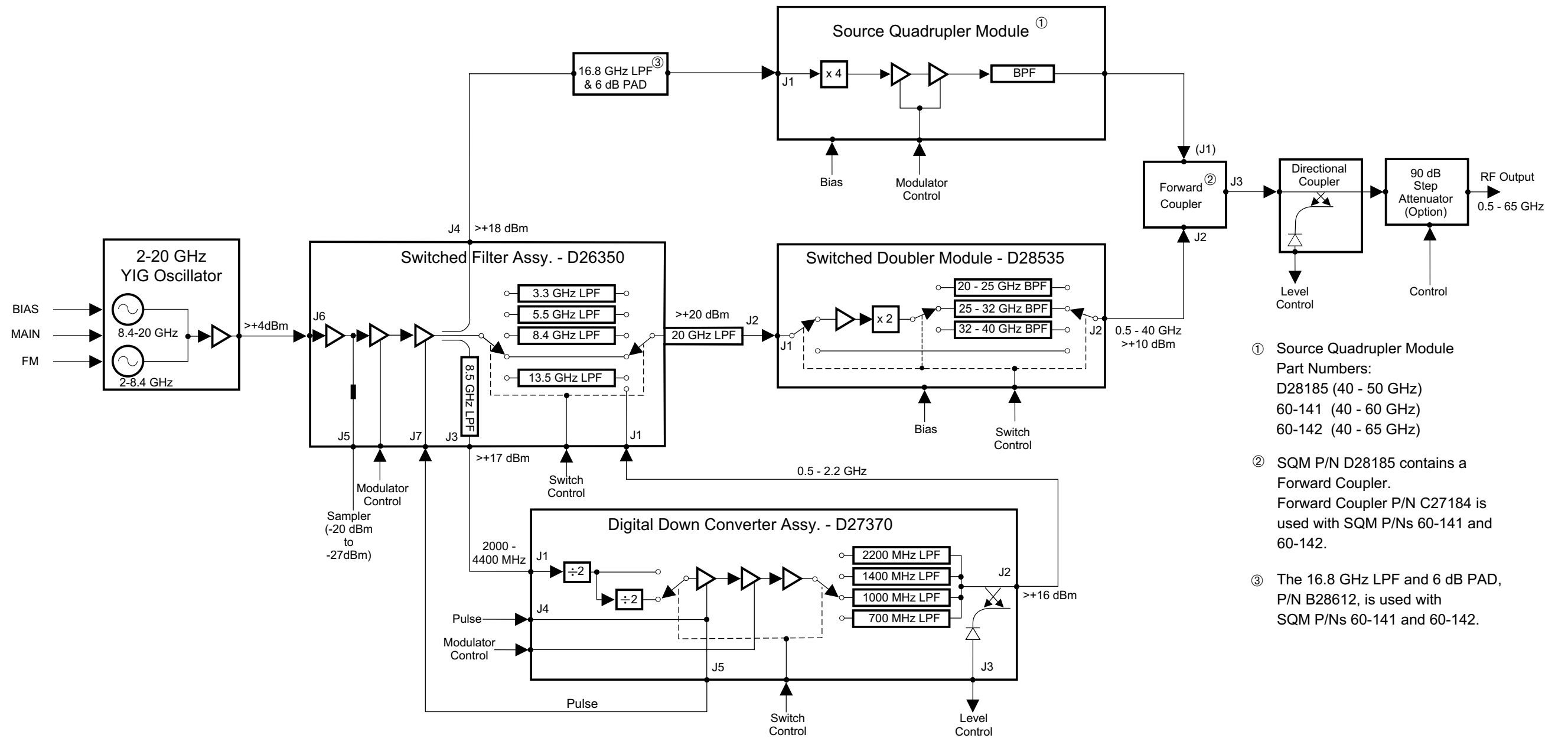
The RF signal from the switched filter assembly is input to the SDM at J1. During CW or swept frequency operations in the 20 to 26.5 GHz frequency range, the 10 to 13.25 GHz RF signal input is routed by PIN switches to the doubler/amplifier. PIN switch drive current is provided by the A9 PIN Control PCB and bias voltage for the doubler/amplifier is supplied by the A14 SDM Driver PCB. The RF signal is amplified, then doubled in frequency. From the doubler, the 20 to 26.5 GHz RF signal goes to the bandpass filter. After passing through the bandpass filter, the 20 to 26.5 GHz RF signal is multiplexed by the PIN switches to the SDM output at connector J2. RF signals input to the SDM of  $\leq 20$  GHz are multiplexed through by the PIN switches to output connector J2.

**40 GHz Models**

The RF signal from the switched filter assembly is input to the SDM at J1. During CW or swept frequency operations in the 20 to 40 GHz frequency range, the 10 to 20 GHz RF signal input is routed by PIN switches to the doubler/amplifiers. PIN switch drive current is provided by the A9 PIN Control PCB and bias voltage for the doubler/amplifiers is supplied by the A14 SDM, SQM Driver PCB. The



**Figure 2-6.** Block Diagram of the RF Deck Assembly for all ≤40 GHz 682X5B/683X5B Models



① Source Quadrupler Module  
Part Numbers:  
D28185 (40 - 50 GHz)  
60-141 (40 - 60 GHz)  
60-142 (40 - 65 GHz)

② SQM P/N D28185 contains a  
Forward Coupler.  
Forward Coupler P/N C27184 is  
used with SQM P/Ns 60-141 and  
60-142.

③ The 16.8 GHz LPF and 6 dB PAD,  
P/N B28612, is used with  
SQM P/Ns 60-141 and 60-142.

Figure 2-7. Block Diagram of the RF Deck Assembly for all  
>40 GHz 682X5B/683X5B Models



RF signal is amplified, then doubled in frequency. From the doubler, the 20 to 40 GHz RF signal is routed by PIN switches to the bandpass filters. There are three bandpass filter paths to provide good harmonic performance. The frequency ranges of the three paths are 20 to 25 GHz, 25 to 32 GHz, and 32 to 40 GHz.

After routing through the appropriate bandpass filter path, the 20 to 40 GHz RF signal is multiplexed by the PIN switches to the SDM output at connector J2. RF signals input to the SDM of  $\leq 20$  GHz are multiplexed through by the PIN switches to output connector J2.

***Source  
Quadrupler  
Module***

The source quadrupler module (SQM), found in  $>40$  GHz models, is used to quadruple the fundamental frequencies of 10 to 16.25 GHz to produce RF output frequencies of 40 to 65 GHz. The RF signal inputs for the SQM come from the switched filter assembly. The modulator control signal for the SQM is received from the A14 SDM, SQM Driver PCB where it is developed from the ALC control signal. The A14 PCB also supplies the amplifier bias voltage(s) for the SQM.

**50 GHz Models (SQM P/N D28185)**

During CW or swept frequency operations in the 40 to 50 GHz frequency range, the 10 to 12.5 GHz RF signal input is quadrupled and amplified, then goes to the modulator. The modulator provides for power level control and amplitude modulation of the RF output signal. From the modulator, the 40 to 50 GHz RF signals goes via a band-pass filter to output connector J3 of the forward coupler. Note that on the 40 to 50 GHz SQM (P/N D28185), the forward coupler is an integral part of the SQM. The 0.01 to 40 GHz (0.5 to 40 GHz for 682X5B/683X5B models) RF output signals from the SDM are routed to input connector J2 of the SQM forward coupler. The 0.01 to 50 GHz (0.5 to 50 GHz for the 682X5B/683X5B models) RF output signals go from J3 of the SQM forward coupler to the directional coupler.

**60 GHz Models (SQM P/N 60-141)**

During CW or swept frequency operations in the 40 to 60 GHz frequency range, the 10 to 15 GHz RF signal input is quadrupled and amplified, then goes to the modulator. The modulator provides for power level control and amplitude modulation of the RF output signal. From the modulator, the 40 to

60 GHz RF signal goes via a band-pass filter to the output connector of the SQM.

From the SQM, the 40 to 60 GHz RF output signal goes to input connector J1 of the forward coupler, P/N C27184. The other input to the forward coupler at connector J2 is the 0.01 to 40 GHz (0.5 to 40 GHz for 682X5B/683X5B models) RF output signals from the SDM. From forward coupler output connector J3, the 0.01 to 60 GHz (0.5 to 60 GHz for the 682X5B/683X5B models) RF output signals go to the directional coupler.

#### **65 GHz Models (SQM P/N 60-142)**

During CW or swept frequency operations in the 40 to 65 GHz frequency range, the 10 to 16.25 GHz RF signal input is quadrupled and amplified, then goes to the modulator. The modulator provides for power level control and amplitude modulation of the RF output signal. From the modulator, the 40 to 65 GHz RF signal goes via a band-pass filter to the output connector of the SQM.

From the SQM, the 40 to 65 GHz RF output signal goes to input connector J1 of the forward coupler, P/N C27184. The other input to the forward coupler at connector J2 is the 0.01 to 40 GHz (0.5 to 40 GHz for 682X5B/683X5B models) RF output signals from the SDM. From forward coupler output connector J3, the 0.01 to 65 GHz (0.5 to 65 GHz for the 682X5B/683X5B models) RF output signals go to the directional coupler.

#### ***Power Level Detection/ ALC Loop***

The RF signal output from either the switched filter assembly ( $\leq 20$  GHz models), the SDM ( $\leq 26.5$  GHz or  $\leq 40$  GHz models), or forward coupler ( $>40$  GHz models) goes to the directional coupler for transfer to the RF OUTPUT connector. A portion of the RF output signal is detected, amplified, and coupled out as feedback to the ALC circuitry on the A10 ALC PCB. In these circuits, the signal from the detector is summed with the reference voltage that represents the desired RF output power level. The resulting voltage is fed from the A10 ALC PCB to the ALC modulator driver circuit on the A9 PIN Control PCB (and the ALC modulator driver circuit on the A14 SDM, SQM Driver PCB for  $>40$  GHz models). The resulting modulator control signals go to the modulators in the switched filter assembly, the SQM (for  $>40$  GHz models), and the digital down converter

(for 682X5B/683X5B models) to adjust the RF output power level.

***Step  
Attenuator***

The optional step attenuator provides up to 110 dB (90 dB for 50 GHz and 60 GHz models) attenuation of the RF output in 10 dB steps. The step attenuator drive current is supplied by the A9 PIN Control PCB.



# **Chapter 3**

## **Performance Verification**

### **Table of Contents**

---

|      |  |      |
|------|--|------|
| 3-1  | INTRODUCTION . . . . .                       | 3-3  |
| 3-2  | RECOMMENDED TEST EQUIPMENT . . . . .         | 3-3  |
| 3-3  | TEST RECORDS . . . . .                       | 3-3  |
| 3-4  | CONNECTOR AND KEY LABEL NOTATION . . .       | 3-3  |
| 3-5  | 682XXB/683XXB POWER LEVELS . . . . .         | 3-6  |
| 3-6  | INTERNAL TIME BASE AGING RATE TEST . . .     | 3-8  |
|      | Test Setup . . . . .                         | 3-9  |
|      | Test Procedure. . . . .                      | 3-9  |
|      | EXAMPLE:. . . . .                            | 3-10 |
| 3-7  | FREQUENCY SYNTHESIS TESTS . . . . .          | 3-11 |
|      | Test Setup . . . . .                         | 3-11 |
|      | Coarse Loop/YIG Loop Test Procedure. . . . . | 3-12 |
|      | Fine Loop Test Procedure . . . . .           | 3-13 |
| 3-8  | SPURIOUS SIGNALS TEST . . . . .              | 3-14 |
|      | Test Setup . . . . .                         | 3-14 |
|      | 0.01 - 2 GHz Test Procedure . . . . .        | 3-14 |
|      | 0.5 - 2.2 GHz Test Procedure . . . . .       | 3-17 |
| 3-9  | HARMONIC TEST: 2 TO 20 GHz. . . . .          | 3-18 |
|      | Test Setup . . . . .                         | 3-18 |
|      | Test Procedure (2 to 10 GHz) . . . . .       | 3-19 |
|      | Test Procedure (11 to 20 GHz) . . . . .      | 3-20 |
| 3-10 | SINGLE SIDEBAND PHASE NOISE TEST . . . .     | 3-22 |
|      | Test Setup . . . . .                         | 3-22 |
|      | Test Procedure . . . . .                     | 3-23 |

## ***Table of Contents (Continued)***

|      |  |      |
|------|--|------|
| 3-11 | POWER LEVEL TESTS . . . . .                          | 3-26 |
|      | Test Setup . . . . .                                 | 3-26 |
|      | Power Level Accuracy Test Procedure . . . . .        | 3-27 |
|      | Power Level Flatness Test Procedure . . . . .        | 3-27 |
| 3-12 | AMPLITUDE MODULATION TEST . . . . .                  | 3-30 |
|      | Test Setup . . . . .                                 | 3-30 |
|      | AM Input Sensitivity Procedure. . . . .              | 3-31 |
| 3-13 | FREQUENCY MODULATION TESTS . . . . .                 | 3-33 |
|      | Test Setup . . . . .                                 | 3-33 |
|      | FM Input Sensitivity Procedure. . . . .              | 3-33 |
| 3-14 | PULSE MODULATION TESTS. . . . .                      | 3-39 |
|      | Test Setup . . . . .                                 | 3-39 |
|      | Rise/Fall Time and Overshoot. . . . .                | 3-40 |
|      | Pulse Leveling Accuracy . . . . .                    | 3-41 |
| 3-15 | PULSE MODULATION TEST: VIDEO<br>FEEDTHROUGH. . . . . | 3-43 |
|      | Test Setup . . . . .                                 | 3-43 |
|      | Test Procedure . . . . .                             | 3-43 |
| 3-16 | PULSE MODULATION TEST: RF ON/OFF<br>RATIO. . . . .   | 3-45 |
|      | Test Setup . . . . .                                 | 3-45 |
|      | Test Procedure . . . . .                             | 3-45 |
| 3-17 | PHASE MODULATION TESTS. . . . .                      | 3-48 |
|      | Test Setup . . . . .                                 | 3-48 |
|      | $\Phi$ M Input Sensitivity Procedure. . . . .        | 3-48 |

# Chapter 3

## Performance Verification

### **3-1** INTRODUCTION

This chapter contains tests that can be used to verify the performance of the Series 682XXB/683XXB Synthesized Signal Generators to specifications. These tests support all instrument models having any version of firmware. Units with Option 2A, 2B, 2C, or 2D (110 dB or 90 dB step attenuators), Option 11 (0.1 Hz frequency resolution), and Option 15B (high power output) are also covered.

### **3-2** RECOMMENDED TEST EQUIPMENT

Table 3-1 (page 3-4) provides a list of the recommended test equipment for the performance verification tests.

The test procedures refer to specific test equipment front panel control settings when the test setup is critical to making an accurate measurement. In some cases, the user may substitute test equipment having the same critical specifications as those on the recommended test equipment list.

Contact your local ANRITSU service center (refer to Table 1-5 on page 1-18) if you need clarification of any equipment or procedural reference.

### **3-3** TEST RECORDS

A blank copy of a sample performance verification test record for each 682XXB/683XXB model is provided in Appendix A. Each test record contains the model-specific variables called for by the test procedures. It also provides a means for maintaining an accurate and complete record of instrument performance. We recommend that you copy these pages and use them to record the results of your initial testing of the instrument. These initial test results can later be used as benchmark values for future tests of the same instrument.

### **3-4** CONNECTOR AND KEY LABEL NOTATION

The test procedures include many references to equipment interconnections and control settings. For all 682XXB/683XXB references, specific labels are used to denote the appropriate menu key, data entry key, data entry control, or connector (such as CW/SWEEP SELECT or RF OUTPUT). Most references to supporting test equipment use general labels for commonly used controls and connections (such as Span or RF Input). In some cases, a specific label is used that is a particular feature of the test equipment listed in Table 3-1.

**Table 3-1.** Recommended Test Equipment for Performance Verification Tests (1 of 2)

| <b>INSTRUMENT</b>   | <b>CRITICAL SPECIFICATION</b>  | <b>RECOMMENDED MANUFACTURER/MODEL</b>  | <b>TEST NUMBER</b>                     |
|---|--|--|--|
| Spectrum Analyzer, with External Mixers and Diplexer Assy | <i>Frequency Resolution:</i> 0.01 to 65 GHz<br><i>Resolution Bandwidth:</i> 10 Hz  | Tektronix, Model 2794, with External Mixers:<br>WM780K (18 to 26.5 GHz)<br>WM780A (26.5 to 40 GHz)<br>WM780U (40 to 60 GHz)<br>WM780E (60 to 90 GHz)<br>and<br>Diplexer Assy: 015-0385-00  | 3-8, 3-9, 3-12,<br>3-13, 3-16,<br>3-17 |
| Spectrum Analyzer   | <i>Frequency Range:</i> 20 Hz to 40 MHz<br><i>Resolution Bandwidth:</i> 3 Hz   | Hewlett-Packard, Model 3585B   | 3-10                                   |
| Frequency Counter with Cable Kit and External Mixer       | <i>Frequency Range:</i> 0.01 to 65 GHz<br><i>Input Impedance:</i> 50Ω<br><i>Resolution:</i> 1 Hz<br><i>Other:</i> External Time Base Input   | EIP Microwave, Inc. Models 538B, 548B, or 578B, with Cable Kit: Option 590<br>and<br>External Mixer:<br>Option 91 (26.5 to 40 GHz)<br>Option 92 (40 to 60 GHz)<br>Option 93 (60 to 90 GHz) | 3-7                                    |
| Power Meter, with Power Sensor                            | <i>Power Range:</i> -30 to +20 dBm<br>(1μW to 100mW)   | Hewlett-Packard Model 437B, with Power Sensor:<br>HP 8487A (0.01 to 50 GHz)  | 3-11                                   |
| Power Meter with Power Sensor                             | <i>Power Range:</i> -30 to +20 dBm<br>(1μW to 100mW)   | ANRITSU ML4803A, with Power Sensor:<br>MP716A4 (50 to 75 GHz)  | 3-11                                   |
| Frequency Reference                                       | <i>Frequency:</i> 10 MHz<br><i>Accuracy:</i> $5 \times 10^{-12}$ parts/day   | Absolute Time Corp., Model 300   | 3-6                                    |
| Modulation Analyzer                                       | <i>Frequency Input:</i> 10 MHz<br>(or the IF of the spectrum analyzer)<br><i>AM Depth:</i> 0% to 90%<br><i>AM Modulation Rates:</i> dc to 100 kHz<br><i>Filters:</i> 20 kHz lowpass, 300 Hz highpass | Hewlett-Packard, Model 8901A   | 3-12                                   |
| Oscilloscope  | <i>Bandwidth:</i> DC to 150 MHz<br><i>Vertical Sensitivity:</i> 2mV/division<br><i>Horizontal Sensitivity:</i> 50 ns/division  | Tektronix, Inc. Model TAS485   | 3-6, 3-11,<br>3-14, 3-15               |
| Mixer   | <i>Frequency Range:</i> 1 to 26 GHz  | Macom Micro Electronics Div. Model DMS1-26A  | 3-10                                   |
| Adapter   | K (male) to 2.4 mm (female)<br>Adapts the Power Sensor, HP 8487A, to the 682XXB/683XXB RF OUTPUT connector (≤40 GHz models)  | Hewlett-Packard<br>Part Number: HP 11904D  | 3-11                                   |
| Adapter   | Adapts the MP716A4 Power Sensor to the ML4803A Power Meter   | ANRITSU MA4002B  | 3-11                                   |



**Table 3-1.** Recommended Test Equipment for Performance Verification Tests (2 of 2)

| <b>INSTRUMENT</b>          | <b>CRITICAL SPECIFICATION</b>  | <b>RECOMMENDED MANUFACTURER/MODEL</b>                    | <b>TEST NUMBER</b> |
|----------------------------|--|--|--------------------|
| Adapter                    | WR15 to V (male)<br>Adapts the MP716A4 Power Sensor to the 682XXB/683XXB RF OUTPUT connector (>40 GHz) | ANRITSU, Model 35WR15V                                   | 3-11               |
| Attenuator                 | <i>Frequency Range:</i> DC to 40 GHz<br><i>Max Input Power:</i> >+17 dBm<br><i>Attenuation:</i> 10 dB  | ANRITSU, Model 41KC-10                                   | 3-9, 3-10          |
| Attenuator                 | <i>Frequency Range:</i> DC to 40 GHz<br><i>Max Input Power:</i> >+17 dBm<br><i>Attenuation:</i> 20 dB  | ANRITSU, Model 41KC-20                                   | 3-9                |
| Attenuator                 | <i>Frequency Range:</i> DC to 60 GHz<br><i>Max Input Power:</i> >+17 dBm<br><i>Attenuation:</i> 10 dB  | ANRITSU, Model 41V-10                                    | 3-9, 3-10          |
| Attenuator                 | <i>Frequency Range:</i> DC to 60 GHz<br><i>Max Input Power:</i> >+17 dBm<br><i>Attenuation:</i> 20 dB  | ANRITSU, Model 41V-20                                    | 3-9                |
| Microwave (Pulse) Detector | <i>Output Polarity:</i> Negative<br><i>Frequency Range:</i> 0.01 to 40 GHz                             | ANRITSU, Model SC3800<br>(K input/BNC output connectors) | 3-14               |
| High Pass Filter           | 150 MHz High-Pass Filter (DC Block)  | Narda, Model 4564  | 3-14               |
| Low Pass Filter            | 450 MHz Low-Pass Filter  | Mini-Circuits, Model SLP-450                             | 3-15               |
| Tee                        | <i>Connectors:</i> 50Ω BNC   | Any common source  | 3-10               |
| Cables                     | <i>Connectors:</i> 50Ω BNC   | Any common source  | All tests          |

**3-5 682XXB/683XXB POWER  
LEVELS**

Table 3-2 is a listing of the Series 682XXB and 683XXB Synthesized Signal Generator models and their maximum leveled output power levels. Certain test procedures will refer you to this table for the maximum leveled output power level setting of the instrument model being tested.

**Table 3-2. 682XXB/683XXB Maximum Leveled Output Power (1 of 2)**

| 68XXB Model | Frequency (GHz) | Max Leveled Output Power | Max Leveled Output Power w/Step Attenuator |
|-------------|-----------------|--------------------------|--|
| 68X37B      | 2.0 – 20.0 GHz  | +13.0 dBm                | +11.0 dBm                                  |
| 68X45B      | 0.5 – 20.0 GHz  | +13.0 dBm                | +11 dBm                                    |
| 68X47B      | 0.01 – 20.0 GHz | +13.0 dBm                | +11.0 dBm                                  |
| 68X53B      | 2.0 – 20.0 GHz  | +9.0 dBm                 | +7.0 dBm                                   |
|             | 20.0 – 26.5 GHz | +6.0 dBm                 | +3.5 dBm                                   |
| 68X55B      | 0.5 – 2.2 GHz   | +13.0 dBm                | +11.0 dBm                                  |
|             | 2.2 – 20.0 GHz  | +9.0 dBm                 | +7.0 dBm                                   |
|             | 20.0 – 26.5 GHz | +6.0 dBm                 | +3.5 dBm                                   |
| 68X59B      | 0.01 – 2.0 GHz  | +13.0 dBm                | +11.0 dBm                                  |
|             | 2.0 – 20.0 GHz  | +9.0 dBm                 | +7.0 dBm                                   |
|             | 20.0 – 26.5 GHz | +6.0 dBm                 | +3.5 dBm                                   |
| 68X63B      | 2.0 – 20.0 GHz  | +9.0 dBm                 | +7.0 dBm                                   |
|             | 20.0 – 40.0 GHz | +6.0 dBm                 | +3.0 dBm                                   |
| 68X65B      | 0.5 – 2.2 GHz   | +13.0 dBm                | +11.0 dBm                                  |
|             | 2.2 – 20.0 GHz  | +9.0 dBm                 | +7.0 dBm                                   |
|             | 20.0 – 40.0 GHz | +6.0 dBm                 | +3.0 dBm                                   |
| 68X69B      | 0.01 – 2.0 GHz  | +13.0 dBm                | +11.0 dBm                                  |
|             | 2.0 – 20.0 GHz  | +9.0 dBm                 | +7.0 dBm                                   |
|             | 20.0 – 40.0 GHz | +6.0 dBm                 | +3.0 dBm                                   |
| 68X75B      | 0.5 – 2.2 GHz   | +11.0 dBm                | +10.0 dBm                                  |
|             | 2.2 – 20.0 GHz  | +10.0 dBm                | +8.5 dBm                                   |
|             | 20.0 – 40.0 GHz | +2.5 dBm                 | 0.0 dBm                                    |
|             | 40.0 – 50.0 GHz | +2.5 dBm                 | -1.0 dBm                                   |
| 68X77B      | 0.01 – 2.0 GHz  | +12.0 dBm                | +10.0 dBm                                  |
|             | 2.0 – 20.0 GHz  | +10.0 dBm                | +8.5 dBm                                   |
|             | 20.0 – 40.0 GHz | +2.5 dBm                 | 0.0 dBm                                    |
|             | 40.0 – 50.0 GHz | +2.5 dBm                 | -1.0 dBm                                   |
| 68X85B      | 0.5 – 2.2 GHz   | +11.0 dBm                | +10.0 dBm                                  |
|             | 2.2 – 20.0 GHz  | +10.0 dBm                | +8.5 dBm                                   |
|             | 20.0 – 40.0 GHz | +2.5 dBm                 | 0.0 dBm                                    |
|             | 40.0 – 50.0 GHz | +2.0 dBm                 | -1.5 dBm                                   |
|             | 50.0 – 60.0 GHz | +2.0 dBm                 | -2.0 dBm                                   |
| 68X87B      | 0.01 – 2.0 GHz  | +12.0 dBm                | +10.0 dBm                                  |
|             | 2.0 – 20.0 GHz  | +10.0 dBm                | +8.5 dBm                                   |
|             | 20.0 – 40.0 GHz | +2.5 dBm                 | 0.0 dBm                                    |
|             | 40.0 – 50.0 GHz | +2.0 dBm                 | -1.5 dBm                                   |
|             | 50.0 – 60.0 GHz | +2.0 dBm                 | -2.0 dBm                                   |

**Table 3-2.** 682XXB/683XXB Maximum Leveled Output Power (2 of 2)

| 68XXXB Model                                  | Frequency (GHz) | Max Leveled Output Power | Max Leveled Output Power w/Step Attenuator |
|---|-----------------|--------------------------|--|
| 68X95B  | 0.5 – 2.2 GHz   | +11.0 dBm                | Not Available                              |
|   | 2.2 – 20.0 GHz  | +10.0 dBm                |  |
|   | 20.0 – 40.0 GHz | +2.5 dBm                 |  |
|   | 40.0 – 50.0 GHz | 0.0 dBm                  |  |
|   | 50.0 – 65.0 GHz | -2.0 dBm                 |  |
| 68X97B  | 0.01 – 2.0 GHz  | +12.0 dBm                | Not Available                              |
|   | 2.0 – 20.0 GHz  | +10.0 dBm                |  |
|   | 20.0 – 40.0 GHz | +2.5 dBm                 |  |
|   | 40.0 – 50.0 GHz | 0.0 dBm                  |  |
|   | 50.0 – 65.0 GHz | -2.0 dBm                 |  |
| <b>With Option 15B (High Power) Installed</b> |                 |                          |  |
| 68X37B  | 2.0 – 20.0 GHz  | +17.0 dBm                | +15.0 dBm                                  |
| 68X45B  | 0.5 – 2.2 GHz   | +13.0 dBm                | +11.0 dBm                                  |
|   | 2.2 – 20.0 GHz  | +17.0 dBm                | +15.0 dBm                                  |
| 68X47B  | 0.01 – 2.0 GHz  | +13.0 dBm                | +11.0 dBm                                  |
|   | 2.0 – 20.0 GHz  | +17.0 dBm                | +15.0 dBm                                  |
| 68X53B  | 2.0 – 20.0 GHz  | +13.0 dBm                | +11.0 dBm                                  |
|   | 20.0 – 26.5 GHz | +10.0 dBm                | +7.5 dBm                                   |
| 68X55B  | 0.5 – 2.2 GHz   | +13.0 dBm                | +11.0 dBm                                  |
|   | 2.2 – 20.0 GHz  | +13.0 dBm                | +11.0 dBm                                  |
|   | 20.0 – 26.5 GHz | +10.0 dBm                | +7.5 dBm                                   |
| 68X59B  | 0.01 – 2.0 GHz  | +13.0 dBm                | +11.0 dBm                                  |
|   | 2.0 – 20.0 GHz  | +13.0 dBm                | +11.0 dBm                                  |
|   | 20.0 – 26.5 GHz | +10.0 dBm                | +7.5 dBm                                   |
| 68X63B  | 2.0 – 20.0 GHz  | +13.0 dBm                | +11.0 dBm                                  |
|   | 20.0 – 40.0 GHz | +6.0 dBm                 | +3.0 dBm                                   |
| 68X65B  | 0.5 – 2.2 GHz   | +13.0 dBm                | +11.0 dBm                                  |
|   | 2.2 – 20.0 GHz  | +13.0 dBm                | +11.0 dBm                                  |
|   | 20.0 – 40.0 GHz | +6.0 dBm                 | +3.0 dBm                                   |
| 68X69B  | 0.01 – 2.0 GHz  | +13.0 dBm                | +11.0 dBm                                  |
|   | 2.0 – 20.0 GHz  | +13.0 dBm                | +11.0 dBm                                  |
|   | 20.0 – 40.0 GHz | +6.0 dBm                 | +3.0 dBm                                   |
| 68X75B  | 0.5 – 50.0 GHz  | Standard                 | Standard                                   |
| 68X77B  | 0.01 – 50.0 GHz | Standard                 | Standard                                   |
| 68X85B  | 0.5 – 60.0 GHz  | Standard                 | Standard                                   |
| 68X87B  | 0.01 – 60.0 GHz | Standard                 | Standard                                   |
| 68X95B  | 0.5 – 65.0 GHz  | Standard                 | Not Available                              |
| 68X97B  | 0.01 – 65.0 GHz | Standard                 | Not Available                              |

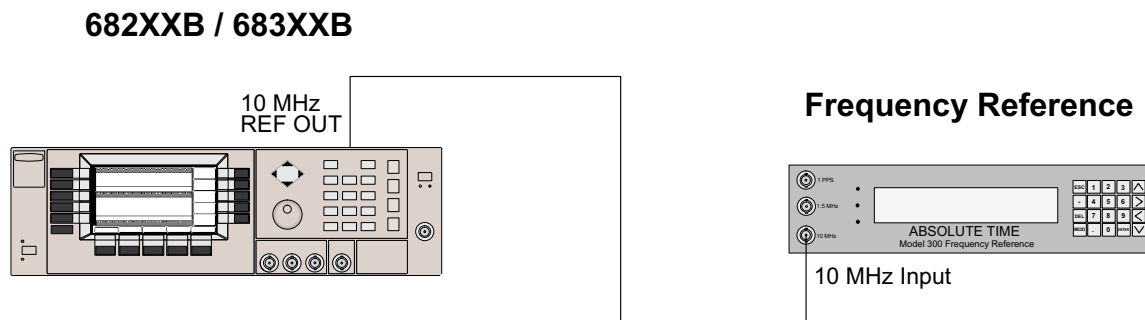
**3-6 INTERNAL TIME BASE  
AGING RATE TEST  
(Optional)**

The following test can be used to verify that the 682XXB/683XXB 10 MHz time base is within its aging specification. The instrument derives its frequency accuracy from an internal 100 MHz crystal oscillator standard. (With Option 16 installed, frequency accuracy is derived from an internal high-stability 10 MHz crystal oscillator.) An inherent characteristic of crystal oscillators is the effect of crystal *aging* within the first few days to weeks of operation. Typically, the crystal oscillator's frequency increases slightly at first, then settles to a relatively constant value for the rest of its life. The 682XXB/683XXB reference oscillator aging is specified as  $<2 \times 10^{-8}$  parts per day ( $<5 \times 10^{-10}$  with Option 16).

**NOTES**

Do not confuse crystal aging with other short term frequency instabilities; i.e., noise and temperature. The internal time base of the instrument may not achieve its specified aging rate before the specified warm-up time of 7 to 30 days has elapsed; therefore, this performance test is optional.

For greatest absolute frequency accuracy, allow the 682XXB/683XXB to warm up until its RF output frequency has stabilized (usually 7 to 30 days). Once stabilized, the change in reference oscillator frequency should remain within the aging rate if; (1) the time base oven is not allowed to cool, (2) the instrument orientation with respect to the earth's magnetic field is maintained, (3) the instrument does not sustain any mechanical shock, and (4) ambient temperature is held constant. This test should be performed upon receipt of the instrument and again after a period of several days to weeks to fully qualify the aging rate.



**Figure 3-1.** Equipment Setup for Internal Time Base Aging Rate Test

**Test Setup**

Connect the 682XXB/683XXB rear panel 10 MHz REF OUT to the Frequency Reference front panel input connector labeled 10 MHz when directed to do so during the test procedure.

**Test  
Procedure**

The frequency error is measured at the start and finish of the test time period of 24 hours. The aging rate is the difference between the two error readings.

1. Set up the Frequency Reference as follows:
  - a. Press the **ESC** key until the MAIN MENU is displayed.
  - b. At the MAIN MENU display, press **1** to select CONFIGURATION.
  - c. At the CONFIGURATION MENU display, press **8** to select MEAS.
  - d. Press the **MOD** key and use the Up/Down Arrow keys to get to the menu display: MEASUREMENT = FREQ.
  - e. Press the **ENTER** key.
  - f. Press the **ESC** key until the MAIN MENU is displayed.
  - g. At the MAIN MENU display, press **3** to select the REVIEW MENU.
  - h. At the REVIEW MENU display, press **8** to select TFM.
2. Connect the 682XXB/683XXB rear panel 10 MHz REF OUT signal to the Frequency Reference front panel 10 MHz input.
3. Wait approximately 90 minutes (default setting) until the FMFOM on the Frequency Reference display decreases from 9 to 1. (The default setting is recommended to achieve optimum measurements.)

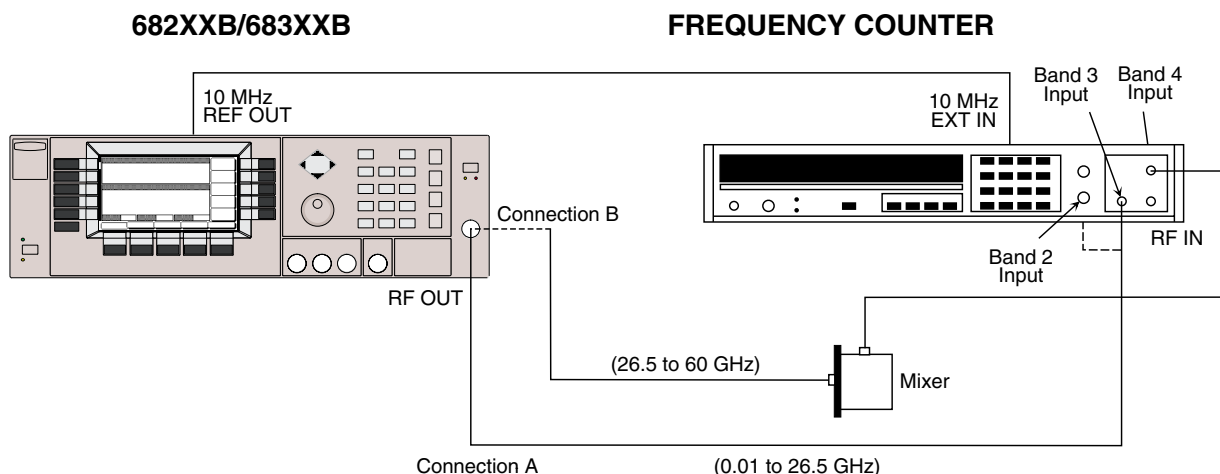
The frequency error in the signal under test is displayed in ps/s (Picoseconds/Second). For example, an error of  $-644681$  ps/s is  $-644681 \times 10^{-12}$  or  $-6.44681 \times 10^{-7}$  away from the 10 MHz internal reference of the Frequency Reference.

The frequency error display is continuously updated as a running 5000-second average. The averaging smooths out the short-term instability of the oscillator.

4. Record the frequency error value, displayed on the Frequency Reference, on the Test Record.
5. Wait for 24 hours, then record the current frequency error value on the Test Record.
6. The aging rate is the difference between the two frequency error values.
7. Record the computed result on the Test Record. To meet the specification, the computed aging rate must be  $<2 \times 10^{-8}$  per day ( $<5 \times 10^{-10}$  per day with Option 16).

**3-7 FREQUENCY  
SYNTHESIS TESTS**

The following tests can be used to verify correct operation of the frequency synthesis circuits. Frequency synthesis testing is divided into two parts—coarse loop/YIG loop tests and fine loop tests.



**Figure 3-2.** Equipment Setup for Frequency Synthesis Tests

**Test Setup**

Connect the equipment, shown in Figure 3-2, as follows:

1. Connect the 682XXB/683XXB rear panel 10 MHz REF OUT to the Frequency Counter 10 MHz External Reference input. If the Frequency Counter has an INT/EXT toggle switch, ensure the switch is set to EXT.
2. Connect the 682XXB/683XXB RF OUTPUT to the Frequency Counter RF Input as follows:
  - a. For measuring frequencies of 0.01 to 1.0 GHz, connect to the Band 2 input (Connection A).
  - b. For measuring frequencies of 1.0 to 26.5 GHz, connect to the Band 3 input (Connection A).
  - c. For measuring frequencies of 26.5 to 40.0 GHz, connect to the Band 4 input via the Option 91 waveguide mixer (Connection B).
  - d. For measuring frequencies of 40.0 to 60.0 GHz, connect to the Band 4 input via the Option 92 waveguide mixer (Connection B).
  - e. For measuring frequencies of 60.0 to 65.0 GHz, connect to the Band 4 input via the Option 93 waveguide mixer (Connection B).

***Coarse Loop/  
YIG Loop Test  
Procedure***

The following procedure tests both the coarse loop and YIG loop by stepping the signal generator through its full frequency range in 1 GHz steps and measuring the RF output at each step.

1. Set up the 682XXB/683XXB as follows:
  - a. Reset the instrument by pressing **SYSTEM**, then **Reset**. Upon reset, the CW Menu is displayed.
  - b. Press **Edit F1** to open the current frequency parameter for editing.
  - c. Set F1 to the first test frequency indicated on the Test Record for the model being tested.
2. Record the Frequency Counter reading on the Test Record. The Frequency Counter reading must be within  $\pm 100$  Hz of the displayed 682XXB/683XXB frequency to accurately complete this test.

**NOTE**

The Frequency Counter reading is typically within  $\pm 1$  Hz because the instruments use a common time base. Differences of a few Hertz can be caused by noise or counter limitations. Differences of  $\geq \pm 100$  Hz indicate a frequency synthesis problem.

3. On the 682XXB/683XXB, use the cursor control key (diamond-shaped key) to increment F1 to the next test frequency on the Test Record. Record the Frequency Counter reading on the Test Record.
4. Repeat step 3 until all frequencies listed on the Test Record have been recorded.



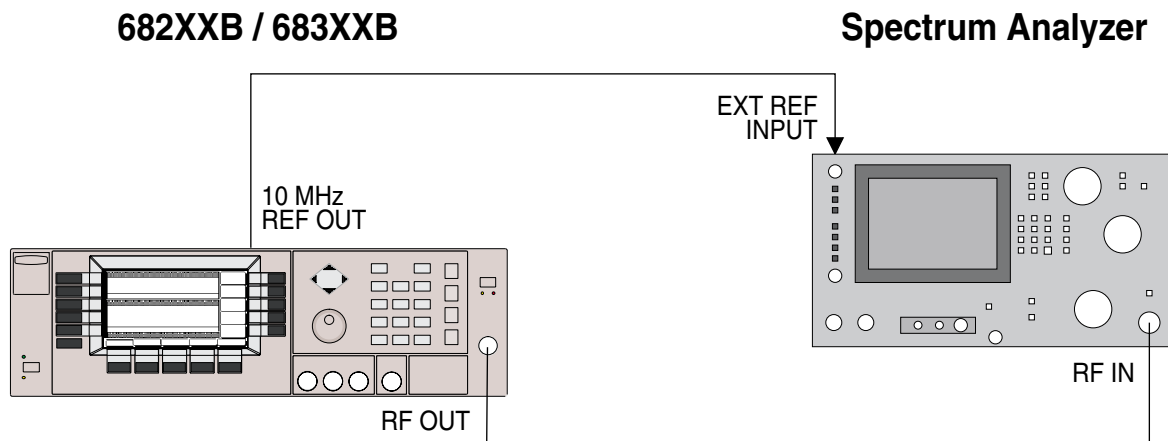
***Fine Loop  
Test  
Procedure***

The following procedure tests the fine loop by stepping the instrument through ten 1 kHz steps (ten 100 Hz steps for instruments with Option 11) and measuring the RF output at each step.

1. Set up the 682XXB/683XXB as follows:
  - a. Reset the instrument by pressing **SYSTEM**, then **Reset**. Upon reset, the CW Menu is displayed.
  - b. Press **Edit F1** to open the current frequency parameter for editing.
  - c. Set F1 to the first test frequency indicated on the Test Record.
2. Record the Frequency Counter reading on the Test Record. The Frequency Counter reading must be within  $\pm 100$  Hz of the displayed 682XXB/683XXB frequency ( $\pm 10$  Hz for instruments with Option 11) to accurately complete this test.
3. On the 682XXB/683XXB, use the cursor control key (diamond-shaped key) to increment F1 to the next test frequency on the Test Record. Record the Frequency Counter reading on the Test Record.
4. Repeat step 3 until all frequencies listed on the Test Record have been recorded.

**3-8 SPURIOUS SIGNALS  
TEST: RF OUTPUT  
SIGNALS ≤2 GHz  
(≤2.2 GHz for 68XX5B  
MODELS)**

The following test can be used to verify that the signal generator meets its spurious signals specifications for RF output signals from 0.01 to 2 GHz (0.5 to 2.2 GHz for 682X5B/683X5B Models). This test is applicable only to instruments which cover the frequency range 10 MHz to 2 GHz (500 MHz to 2.2 GHz for 682X5B/683X5B models). The 0.01 to 2 GHz test procedure begins on this page; the 0.5 to 2.2 GHz test procedure begins on page 3-17.



**Figure 3-3.** Equipment Setup for Spurious Signals Test: RF Output Signals ≤2 GHz

**Test Setup**

Connect the equipment, shown in Figure 3-3, as follows:

1. Connect the 682XXB/683XXB rear panel 10 MHz REF OUT to the Spectrum Analyzer External Reference Input.
2. Connect the 682XXB/683XXB RF OUTPUT to the Spectrum Analyzer RF Input.

**0.01 - 2 GHz  
Test  
Procedure**

The following procedure lets you measure the worst case spurious signals (harmonic and non-harmonic) of the 0.01 to 2 GHz RF output to verify that they meet specifications.

1. Set up the Spectrum Analyzer as follows:
  - a. Span: 10 MHz/div
  - b. CF: 50 MHz
  - c. RBW: 1 MHz
  - d. Sweep Time/Div: Auto (to resolve signal peaks clearly)

**Table 3-3.** *Spurious Signals Specifications*

|  |          |
|--|----------|
| <b>Harmonic and Harmonic Related:</b>  |          |
| 500 MHz to ≤2.2 GHz (68XX5B):  | <-50 dBc |
| 10 MHz to ≤50 MHz:   | <-30 dBc |
| >50 MHz to ≤2 GHz:   | <-40 dBc |
| >2 GHz (2.2 GHz for 68XX5B)  |          |
| to ≤20 GHz:  | <-60 dBc |
| >20 GHz to ≤40 GHz:  | <-40 dBc |
| <b>Harmonic and Harmonic Related (Models having a high-end frequency of &gt;40 GHz and units with Option 15B at maximum specified leveled output power):</b> |          |
| 500 MHz to ≤2.2 GHz (68XX5B):  | <-50 dBc |
| 10 MHz to ≤50 MHz:   | <-30 dBc |
| >50 MHz to ≤2 GHz:   | <-40 dBc |
| >2 GHz (2.2 GHz for 68XX5B)  |          |
| to ≤20 GHz:  | <-50 dBc |
| >20 GHz to ≤40 GHz:  | <-40 dBc |
| 50 GHz units: >40 GHz to ≤50 GHz:  | <-40 dBc |
| 60 GHz units: >40 GHz to ≤60 GHz:  | <-30 dBc |
| 65 GHz units: >40 GHz to ≤45 GHz:  | <-25 dBc |
| >45 GHz to ≤65 GHz:  | <-30 dBc |
| <b>Non-Harmonics:</b>  |          |
| 500 MHz to ≤2.2 GHz (68XX5B):  | <-50 dBc |
| 10 MHz to ≤2 GHz:  | <-40 dBc |
| >2 GHz (2.2 GHz for 68XX5B)  |          |
| to ≤65 GHz:  | <-60 dBc |

2. Set up the 682XXB/683XXB as follows:
  - a. Reset the instrument by pressing **SYSTEM**, then **Reset**. Upon reset the CW Menu is displayed.
  - b. Press **Edit L1** to open the current power level parameter for editing.
  - c. Set L1 to the lesser of +10 dBm or the maximum leveled power level for the instrument being tested (refer to Table 3-2, page 3-6).
  - d. Press **Edit F1** to open the current frequency parameter for editing.
  - e. Set F1 to 10 MHz.

3. On the Spectrum Analyzer, measure the worst case harmonic and non-harmonic signals for the 10 MHz carrier. Record their presence by entering the levels on the Test Record. Refer to Table 3-3 for the specified level limits.

**NOTE**

Harmonics appear at multiples of the CW frequency and diminish quickly as the CW frequency gets greater than 1 GHz.

4. Repeat step 3 with F1 set first to 20 MHz, then set to 30 MHz. Measure the worst case harmonics and non-harmonics for each carrier frequency and record their presence by entering their levels on the Test Record.
5. Change the Spectrum Analyzer setup as follows:
  - a. Span: 100 MHz/div
  - b. CF: 500 MHz
6. Repeat step 3 with F1 set to 40 MHz. Measure the worst case harmonic and non-harmonic signals for the 40 MHz carrier and record their presence by entering their levels on the Test Record.
7. Change the Spectrum Analyzer setup as follows:
  - a. Span: 200 MHz/div (or maximum span width)
  - b. CF: 1 GHz (N/A if at maximum span width)
8. Repeat step 3 with F1 set to 350 MHz. Measure the worst case harmonic and non-harmonic signals for the 350 MHz carrier and record their

presence by entering their levels on the Test Record.

9. Set F1 to 1.6 GHz. Measure the worst case non-harmonic signal for the 1.6 GHz carrier and record its presence by entering its level on the Test Record.
10. Change the Spectrum Analyzer setup as follows:
  - a. Span: 10 MHz/div
  - b. CF: 1.6 GHz
  - c. RBW: 1 MHz
11. Adjust the Spectrum Analyzer Reference Level control to place the signal at the top of the screen graticule.
12. Change the Spectrum Analyzer CF first to 3.2 GHz, then to 4.8 GHz. Compare the harmonic levels with the signal level at 1.6 GHz. Measure the harmonic levels and record them on the Test Record.

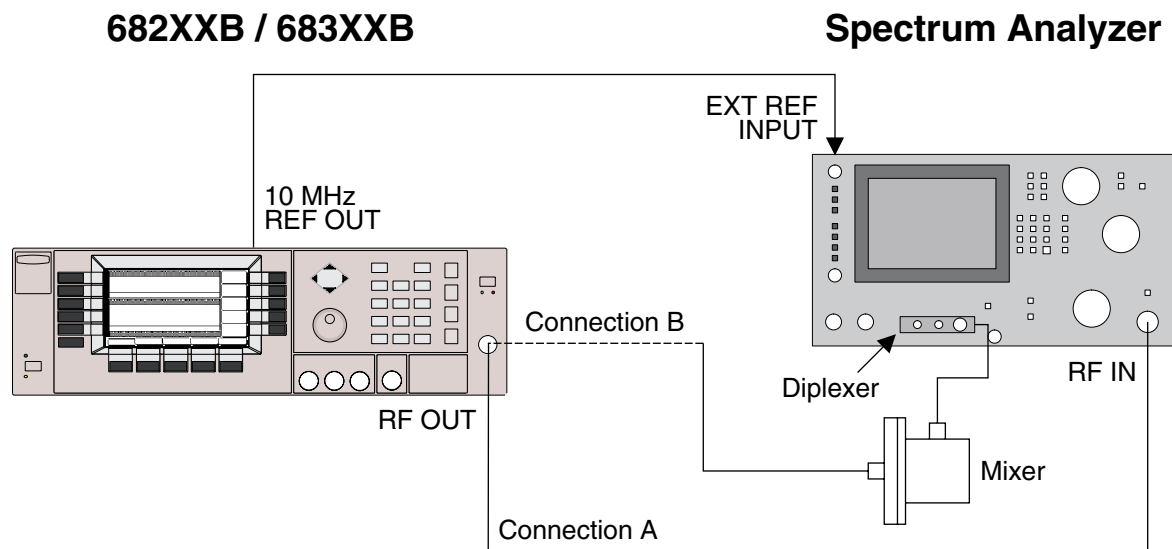
**0.5 - 2.2 GHz  
Test  
Procedure**

The following procedure lets you measure the 0.5 to 2.2 GHz RF output harmonic levels to verify that they meet specifications.

1. Set up the 682X5B/683X5B as follows:
  - a. Reset the instrument by pressing **SYSTEM**, then **Reset**. Upon reset the CW Menu is displayed.
  - b. Press **Edit L1** to open the current power level parameter for editing.
  - c. Set L1 to the lesser of +10 dBm or the maximum leveled power level for the instrument being tested (refer to Table 3-2, page 3-6).
  - d. Press **Edit F1** to open the current frequency parameter for editing.
  - e. Set F1 to the frequency indicated on the Test Record.
2. Set up the Spectrum Analyzer as follows:
  - a. Span: 5 kHz/div
  - b. CF: Set to the 682X5B/683X5B frequency value.
  - c. RBW: 1 kHz
  - d. Video Filter Wide: On
3. Adjust the Spectrum Analyzer Peaking control for maximum signal level, then adjust the Reference Level Control to place the signal at the top of the screen graticule.
4. Change the Spectrum Analyzer CF to each of the harmonic frequencies listed on the Test Record and record the signal levels on the Test Record. Refer to Table 3-3 (page 3-15) for the specified harmonic signal level limits.
5. Repeat steps 1 through 4 for each of the 682X5B/683X5B CW carrier and harmonic frequencies listed on the Test Record. Record the harmonic signal levels on the Test Record.

**3-9 HARMONIC TEST: RF  
OUTPUT SIGNALS FROM  
2 TO 20 GHz**

The following test can be used to verify that the 682XXB/683XXB meets its harmonic specifications for RF output signals from 2 to 20 GHz (2.2 to 20 GHz for 68XX5B Models). Test record entries are supplied for harmonics up to a frequency limit of 40 GHz. Additional harmonic checks may be made at any frequency of interest up to the RF output frequency limit of the 682XXB/683XXB model being tested. These additional harmonic checks can be accomplished through the use of waveguide mixers to extend the frequency range of the spectrum analyzer.



**Figure 3-4.** Equipment Setup for Harmonic Test: RF Output Signals from 2 to 20 GHz

**Test Setup**

Connect the equipment, shown in Figure 3-4, as follows:

1. Connect the 682XXB/683XXB rear panel 10 MHz REF OUT to the Spectrum Analyzer External Reference Input.
2. Connect the diplexer and appropriate external waveguide mixer to the Spectrum Analyzer.
3. Connect the 682XXB/683XXB RF OUTPUT to the Spectrum Analyzer as shown in Connection A (682XXB/683XXB RF OUTPUT to Spectrum Analyzer RF IN).

**Test  
Procedure  
(2 to 10 GHz)**

The following procedure lets you measure the 2 to 10 GHz (2.2 to 10 GHz for 68XX5Bs) RF output harmonic levels to verify that they meet specifications.

**Table 3-4. Spurious Signals Specifications**

|  |          |
|--|----------|
| <b>Harmonic and Harmonic Related:</b>  |          |
| 500 MHz to ≤2.2 GHz (68XX5B):  | <-50 dBc |
| 10 MHz to ≤50 MHz:   | <-30 dBc |
| >50 MHz to ≤2 GHz:   | <-40 dBc |
| >2 GHz (2.2 GHz for 68XX5B)<br>to ≤20 GHz:   | <-60 dBc |
| >20 GHz to ≤40 GHz:  | <-40 dBc |
| <b>Harmonic and Harmonic Related (Models having a high-end frequency of &gt;40 GHz and units with Option 15B at maximum specified leveled output power):</b> |          |
| 500 MHz to ≤2.2 GHz (68XX5B):  | <-50 dBc |
| 10 MHz to ≤50 MHz:   | <-30 dBc |
| >50 MHz to ≤2 GHz:   | <-40 dBc |
| >2 GHz (2.2 GHz for 68XX5B)<br>to ≤20 GHz:   | <-50 dBc |
| >20 GHz to ≤40 GHz:  | <-40 dBc |
| 50 GHz units: >40 GHz to ≤50 GHz:  | <-40 dBc |
| 60 GHz units: >40 GHz to ≤60 GHz:  | <-30 dBc |
| 65 GHz units: >40 GHz to ≤45 GHz:  | <-25 dBc |
| >45 GHz to ≤65 GHz:  | <-30 dBc |
| <b>Non-Harmonics:</b>  |          |
| 500 MHz to ≤2.2 GHz (68XX5B):  | <-50 dBc |
| 10 MHz to ≤2 GHz:  | <-40 dBc |
| >2 GHz (2.2 GHz for 68XX5B)<br>to ≤65 GHz:   | <-60 dBc |

1. Set up the 682XXB/683XXB as follows:
  - a. Reset the instrument by pressing **SYSTEM**, then **Reset**. Upon reset the CW Menu is displayed.
  - b. Press **Edit L1** to open the current power level parameter for editing.
  - c. Set L1 to the lesser of +10 dBm or the maximum leveled power level for the instrument being tested (refer to Table 3-2, page 3-6).
  - d. Press **Edit F1** to open the current frequency parameter for editing.
  - e. Set F1 to the frequency indicated on the Test Record.
2. Set up the Spectrum Analyzer as follows:
  - a. Span: 5 kHz/div
  - b. CF: Set to the 682XXB/683XXB frequency value.
  - c. RBW: 1 kHz
  - d. Video Filter Wide: On
3. Adjust the Spectrum Analyzer Peaking control for maximum signal level, then adjust the Reference Level Control to place the signal at the top of the screen graticule.
4. Change the Spectrum Analyzer CF to each of the harmonic frequencies listed on the Test Record and record the signal levels. Refer to Table 3-4 for the specified harmonic signal level limits.
5. Repeat steps 1 through 4 for each of the 682XXB/683XXB CW carrier and harmonic frequencies listed on the Test Record. Record the harmonic signal levels on the Test Record.

**Test  
Procedure  
(11 to 20 GHz)**

The following procedure lets you measure the 11 to 20 GHz RF output harmonic levels to verify that they meet specifications.

**NOTE**

Because an external mixer is required for these measurements, the RF output flatness of the signal generator is used to correct for; (1) variations caused by switching from the fundamental input to the external mixer input of the Spectrum Analyzer, and (2) the flatness of the mixer.

1. Set up the 682XXB/683XXB as follows:
  - a. Reset the instrument by pressing **SYSTEM**, then **Reset**. Upon reset the CW Menu is displayed.
  - b. Press **Edit F1** to open the current frequency parameter for editing.
  - c. Set F1 to the frequency indicated on the Test Record.
  - d. Press **Edit L1** to open the current power level parameter for editing.
  - e. Set L1 to -30 dBm output power.

**NOTE**

If the 682XXB/683XXB is not fitted with Option 2, install a 30 dB attenuator (AN-RITSU 41KC-20 and 41KC-10 for  $\leq 40$  GHz models; 41V-20 and 41V-10 for  $>40$  GHz models) and set L1 to 0.0 dBm output power.

2. Set up the Spectrum Analyzer as follows:
  - a. Span: 5 kHz/div
  - b. CF: Set to the 682XXB/683XXB frequency value.
  - c. RBW: 1 kHz
  - d. Video Filter Wide: On
3. Adjust the Spectrum Analyzer Peaking control for maximum signal, then adjust the Reference Level control to place the signal at the top of the screen graticule. It may be necessary to also adjust the 682XXB/683XXB output power level



slightly to accomplish this; however, *do not exceed*  $-20$  dBm output power:

4. Remove Connection A and connect the 682XXB/683XXB RF OUTPUT to the waveguide mixer input of the Spectrum Analyzer as shown in Connection B.
5. On the 682XXB/683XXB, remove 30 dB of attenuation from the RF output. Do this by either increasing the output power level by 30 dB or by removing the 30 dB attenuator installed in step 1.e.
6. Change the Spectrum Analyzer CF to the harmonic frequency listed on the Test Record. Verify that the signal displayed on the Spectrum Analyzer is  $\geq 30$  dB below the top of the screen graticule.

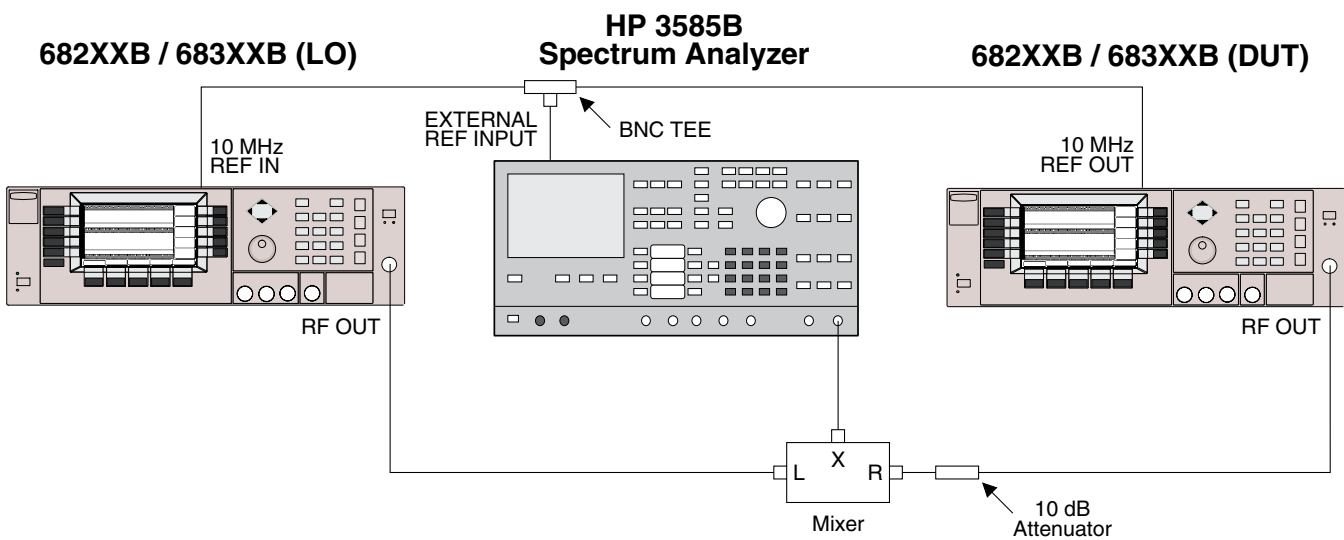
**NOTE**

The  $< -30$  dB signal level plus the 30 dB attenuation provided by the waveguide mixer equals a harmonic frequency signal level of  $< -60$  dBc (specification).

7. Record the harmonic signal level on the Test Record.
8. Repeat steps 1 through 7 for each of the 682XXB/683XXB CW carrier and harmonic frequencies listed on the Test Record. Record the harmonic signal levels on the Test Record.

**3-10 SINGLE SIDEBAND  
PHASE NOISE TEST**

The following test can be used to verify that the signal generator meets its single sideband phase noise specifications. For this test, a second 682XXB/683XXB is required. This additional instrument acts as a local oscillator (LO). The CW RF output of the 682XXB/683XXB under test (DUT) is mixed with the CW RF output from the 682XXB/683XXB LO which is offset by 1 MHz. Single sideband phase noise is measured at offsets of 100 Hz, 1 kHz, 10 kHz, and 100 kHz away from the resultant 1 MHz IF.



**Figure 3-5.** Equipment Setup for Single Sideband Phase Noise Test

**Test Setup**

Connect the equipment, shown in Figure 3-5, as follows:

1. Connect the 682XXB/683XXB DUT rear panel 10 MHz REF OUT to the BNC tee. Connect one leg of the tee to the 682XXB/683XXB LO rear panel 10 MHz REF IN. Connect the other leg of the tee to the Spectrum Analyzer External Reference Input.
2. Connect the 682XXB/683XXB DUT RF OUTPUT to the Mixer's R input via a 10 dB attenuator.
3. Connect the 682XXB/683XXB LO RF OUTPUT to the Mixer's L input.
4. Connect the Mixer's X output to the Spectrum Analyzer 50Ω input.

**Test  
Procedure**

The following procedure lets you measure the RF output single sideband phase noise levels to verify that they meet specifications.

**NOTE**

The following technique is a measurement of phase noise and AM noise. To avoid erroneous results, on the 682XXB/683XXB DUT set L1 for maximum leveled output power and select External Detector leveling. This will prevent any AM noise from degrading the phase noise measurements.

1. Set up the 682XXB/683XXB DUT as follows:
  - a. Reset the instrument by pressing **SYSTEM**, then **Reset**. Upon reset the CW Menu is displayed.
  - b. Press **Edit F1** to open the current frequency parameter for editing.
  - c. Set F1 to the frequency indicated on the Test Record.
  - d. Press **Edit L1** to open the current power level parameter for editing.
  - e. Set L1 to the maximum leveled power level for the instrument being tested (refer to Table 3-2, page 3-6).
  
2. Set up the 682XXB/683XXB LO as follows:
  - a. Reset the instrument by pressing **SYSTEM**, then **Reset**. Upon reset the CW Menu is displayed.
  - b. Press **Edit F1** to open the current frequency parameter for editing.
  - c. Set F1 to a frequency that is 1 MHz lower than the 682XXB/683XXB DUT frequency set in step 1.c.
  - d. Press **Edit L1** to open the current power level parameter for editing.
  - e. Set L1 to the maximum leveled power level for the instrument model (refer to Table 3-2).

**NOTE**

If the 682XXB/683XXB LO output is less than 10 dBm, the Mixer's local oscillator port will not be saturated and the resulting measurements may be in error.

**Table 3-5.** *Single Sideband Phase Noise Test Specification*

| CW Carrier Frequency | Offset From Carrier | Test Specification* |
|----------------------|---------------------|---------------------|
| 0.6 GHz              | 100 Hz              | <-74 dBc            |
|                      | 1 kHz               | <-85 dBc            |
|                      | 10 kHz              | <-83 dBc            |
|                      | 100 kHz             | <-97 dBc            |
| 0.6 GHz<br>(68XX5B)  | 100 Hz              | <-84 dBc            |
|                      | 1 kHz               | <-97 dBc            |
|                      | 10 kHz              | <-95 dBc            |
|                      | 100 kHz             | <-112 dBc           |
| 2.0 GHz              | 100 Hz              | <-77 dBc            |
|                      | 1 kHz               | <-85 dBc            |
|                      | 10 kHz              | <-83 dBc            |
|                      | 100 kHz             | <-99 dBc            |
| 2.0 GHz<br>(68XX5B)  | 100 Hz              | <-78 dBc            |
|                      | 1 kHz               | <-91 dBc            |
|                      | 10 kHz              | <-89 dBc            |
|                      | 100 kHz             | <-106 dBc           |
| 6.0 GHz              | 100 Hz              | <-75 dBc            |
|                      | 1 kHz               | <-85 dBc            |
|                      | 10 kHz              | <-83 dBc            |
|                      | 100 kHz             | <-99 dBc            |
| 10.0 GHz             | 100 Hz              | <-70 dBc            |
|                      | 1 kHz               | <-83 dBc            |
|                      | 10 kHz              | <-80 dBc            |
|                      | 100 kHz             | <-99 dBc            |
| 20.0 GHz             | 100 Hz              | <-63 dBc            |
|                      | 1 kHz               | <-75 dBc            |
|                      | 10 kHz              | <-75 dBc            |
|                      | 100 kHz             | <-97 dBc            |
| 26.5 GHz             | 100 Hz              | <-60 dBc            |
|                      | 1 kHz               | <-75 dBc            |
|                      | 10 kHz              | <-73 dBc            |
|                      | 100 kHz             | <-93 dBc            |

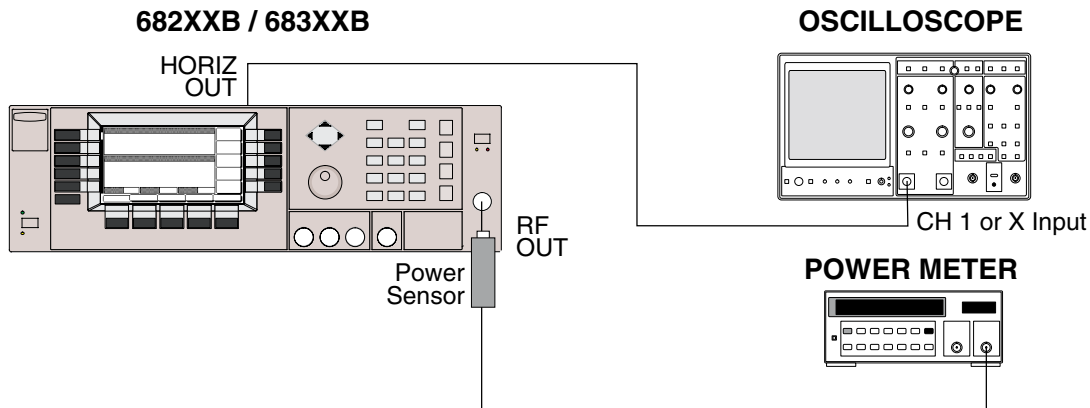
\* 3 dB difference from 682XXB/683XXB single sideband phase noise specifications to account for LO phase noise.

3. Set up the Spectrum Analyzer as follows:
  - a. Center Frequency: 1 MHz
  - b. Frequency Span: 300 Hz
  - c. RBW: 3 Hz
  - d. Position the Marker to the peak of the signal.
  - e. Select OFFSET, ENTER OFFSET, and MKRCF.
  - f. Adjust the marker for a 100 Hz offset.
  - g. Select NOISE LVL.
4. Measure the phase noise level 100 Hz offset from the carrier frequency. Record the level on the Test Record.
5. On the Spectrum Analyzer:
  - a. Deselect NOISE LVL.
  - b. Set Frequency Span to 20 kHz.
  - c. Set RBW to 100 Hz.
  - d. Adjust the Marker for a 1 kHz offset.
  - e. Select NOISE LVL.
6. Measure the phase noise level 1 kHz offset from the carrier frequency. Record the level on the Test Record.
7. On the Spectrum Analyzer:
  - a. Deselect NOISE LVL.
  - b. Set Frequency Span to 100 kHz.
  - c. Adjust the Marker for a 10 kHz offset.
  - d. Select NOISE LVL.
8. Measure the phase noise level 10 kHz offset from the carrier frequency. Record the level on the Test Record.

9. On the Spectrum Analyzer:
  - a. Deselect NOISE LVL.
  - b. Set Frequency Span to 300 kHz.
  - c. Adjust the Marker for a 100 kHz offset.
  - d. Select NOISE LVL.
10. Measure the phase noise level 100 kHz offset from the carrier frequency. Record the level on the Test Record.
11. Repeat steps 1 through 10 for all frequencies listed on the Test Record.

**3-11** **POWER LEVEL  
ACCURACY AND  
FLATNESS TESTS**

The following tests can be used to verify that the 682XXB/683XXB meets its power level specifications. Power level verification testing is divided into two parts—power level accuracy tests and power level flatness tests.



**Figure 3-6.** *Equipment Setup for Power Level Accuracy and Flatness Tests*

**Test Setup**

Connect the equipment, shown in Figure 3-6, as follows:

1. Calibrate the Power Meter with the Power Sensor.
2. Connect the Power Sensor to the RF OUTPUT of the 682XXB/683XXB.

**NOTE**

For  $\leq 40$  GHz models, use the K (male) to 2.4 mm (female) adapter to connect the Power Sensor to the RF OUTPUT connector.

3. Connect the 682XXB/683XXB rear panel HORIZ OUT to the Oscilloscope CH.1 input (X input).

**NOTE**

During this test it will be necessary to adjust the Power Meter's CAL FACTOR % setting as applicable for the frequency being tested.

***Power Level  
Accuracy Test  
Procedure***

Power level accuracy is tested by stepping the output power level down in 1 dB increments from its maximum rated power level and measuring the output power level at each step.

1. Set up the 682XXB/683XXB as follows:
  - a. Reset the instrument by pressing **SYSTEM**, then **Reset**. Upon reset, the CW Menu is displayed.
  - b. Press **Edit F1** to open the current frequency parameter for editing.
  - c. Set F1 to the CW frequency indicated on the Test Record.
  - d. Press **Edit L1** to open the current power level parameter for editing.
  - e. Set L1 to the power level indicated on the Test Record.
2. Measure the output power level with the Power Meter and record the reading on the Test Record.
3. On the 682XXB/683XXB, use the cursor control key (diamond-shaped key) to decrement L1 to the next test power level on the Test Record. Measure and record the Power Meter reading on the Test Record.
4. Repeat step 3 for each of the test power levels listed on the Test Record for the current CW frequency.
5. Repeat steps 1 thru 4 for all CW frequencies listed on the Test Record.

***Power Level  
Flatness Test  
Procedure***

Power level flatness is tested by measuring the output power level variation during a full band sweep; first in the step sweep mode (682XXB/683XXB models), then in analog sweep mode (683XXB models only).

1. Set up the 682XXB/683XXB as follows for a step sweep power level flatness test:
  - a. Reset the instrument by pressing **SYSTEM**, then **Reset**. The CW Menu is displayed.
  - b. Press **Step** to place the signal generator in the step sweep frequency mode and display the Step Sweep Menu.

- c. With the Step Sweep Menu displayed, press the main menu key

**FREQUENCY  
CONTROL**

The Sweep Frequency Control Menu is then displayed.

- d. Press **Full** to select a full range frequency sweep.
- e. Press **Edit L1** to open the current power level parameter for editing.
- f. Set L1 to the power level indicated on the test record.
- g. Now, return to the Step Sweep Menu by pressing the main menu key

**CW/SWEEP  
SELECT**

- h. At the Step Sweep Menu, press **Sweep Ramp** to go to the Step Sweep Ramp Menu.
- i. At this menu, press **Dwell Time** to open the dwell time-per-step parameter for editing.
- j. Set the dwell time to 1 second.

**NOTE**

Monitor the 682XXB/683XXB's Horizontal Output on the Oscilloscope to determine sweep start and stop.

2. As the 682XXB/683XXB steps through the full frequency range, measure the maximum and minimum Power Meter readings and record the values on the Test Record. Verify that the variation (difference between the maximum and minimum readings) does not exceed the value noted on the Test Record.

**NOTE**

This concludes power level testing for series 682XXB signal generators. For series 683XXB signal generators, continue on to step 3 to test power level flatness in the analog sweep mode.



3. Set up the 683XXB as follows for an analog sweep power level flatness test:
  - a. Reset the instrument by pressing **SYSTEM**, then **Reset**. The CW Menu is displayed.
  - b. Press **Analog** to place the 683XXB in the analog sweep frequency mode and display the Analog Sweep Menu.
  - c. With the Analog Sweep Menu displayed, press the main menu key

**FREQUENCY  
CONTROL**

The Sweep Frequency Control Menu is then displayed.

- d. Press **Full** to select a full range frequency sweep.
- e. Press **Edit L1** to open the current power level parameter for editing.
- f. Set L1 to the power level noted on the test record.
- g. Now, return to the Analog Sweep Menu by pressing the main menu key

**CW/SWEEP  
SELECT**

- h. At the Analog Sweep Menu, press the menu soft-key **Sweep Ramp** to go to the Analog Sweep Ramp Menu.
- i. At this menu, press **Sweep Time** to open the sweep time parameter for editing.
- j. Set the sweep time to 99 seconds.

**NOTE**

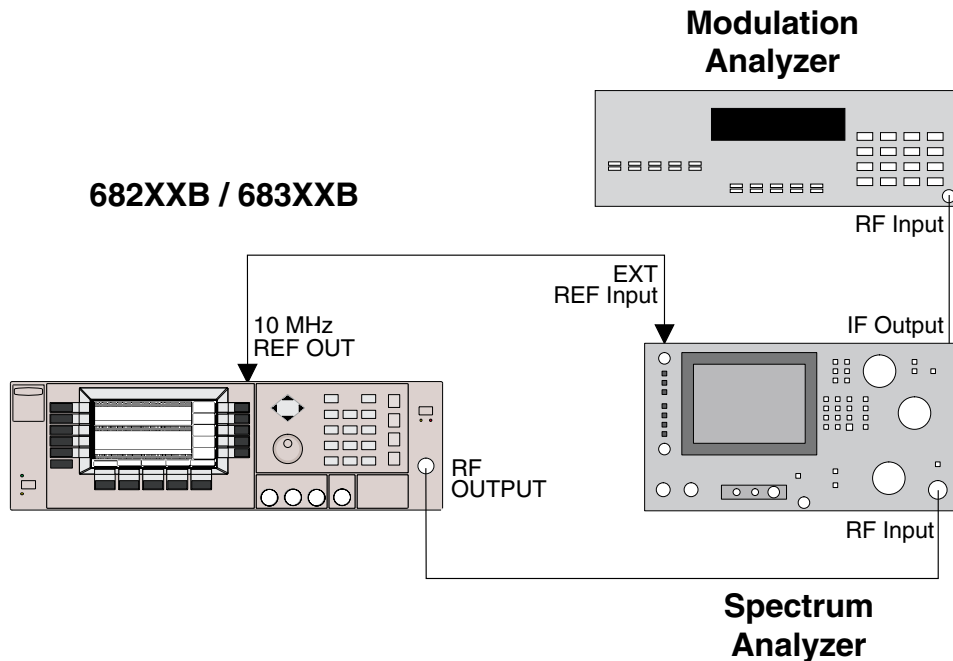
Monitor the 683XXB's Horizontal Output on the Oscilloscope to determine sweep start and stop.

4. During the analog sweep, measure the maximum and minimum Power Meter readings and record the values on the Test Record. Verify that the variation (difference between the maximum and minimum readings) does not exceed the value noted on the Test Record.

**3-12** **AMPLITUDE  
MODULATION TEST**

This procedure verifies the operation of the 682XXB/683XXB amplitude modulation input sensitivity circuit.

The RF OUTPUT of the 682XXB/683XXB is monitored on a Spectrum Analyzer display. The (modulated) IF Output of the Spectrum Analyzer is monitored with a Modulation Analyzer. A 50% AM (default value) signal is set to a reference point on the Spectrum Analyzer. The actual modulation value is then computed from the indicated Modulation Meter values. (The absolute values of the AM PK+ and AM PK- readings are used in the given formula to compensate for non-linearity errors in the test equipment.)



**Figure 3-7.** *Equipment Setup for Amplitude Modulation Tests*

**Test Setup**

Connect the equipment, shown in Figure 3-7, as follows:

1. Connect the 682XXB/683XXB rear panel 10 MHz REF OUT to the Spectrum Analyzer External Reference Input.
2. Connect the IF Output of the Spectrum Analyzer to the RF Input of the Modulation Analyzer.
3. Connect the RF OUTPUT of the 682XXB/683XXB to the Spectrum Analyzer RF Input.

***AM Input  
Sensitivity  
Procedure***

The following procedure lets you measure the absolute peak AM values for a 50% AM signal and calculate the actual modulation value.

1. Set up the 682XXB/683XXB as follows:
  - a. Reset the instrument by pressing **SYSTEM**, then **Reset**. Upon reset, the CW Menu is displayed.
  - b. Press **Edit F1** to open the current frequency parameter for editing.
  - c. Set F1 to 5.0 GHz.
  - d. Press **Edit L1** to open the current power level parameter for editing.
  - e. Set L1 to a power level that is 6 dB below maximum rated power (refer to Table 3-2, page 3-6).
  - f. Press **MODULATION**, then **AM**. At the resulting AM Status menu, press **On/Off** to turn AM on.
2. Set up the Spectrum Analyzer as follows:
  - a. CF: 5.0 GHz
  - b. Span/Div: 0 Hz
  - c. RBW: 100 kHz
  - d. MIN Noise: Activate
3. On the Spectrum Analyzer, adjust the reference level to place the trace 6 to 8 dB below the top graticule of the display.
4. Set up the Modulation Analyzer for:
  - a. AM PK(+)
  - b. 300 Hz High-Pass Filter
  - c. 20 kHz Low-Pass Filter
5. Measure the peak AM on the Modulation Analyzer. Record the AM PK(+) reading on the Test Record.
6. Press PK(-) on the Modulation Analyzer.
7. Measure the peak AM on the Modulation Analyzer. Record the AM PK(-) reading on the Test Record.

8. Compute the actual AM input sensitivity with the following formula:

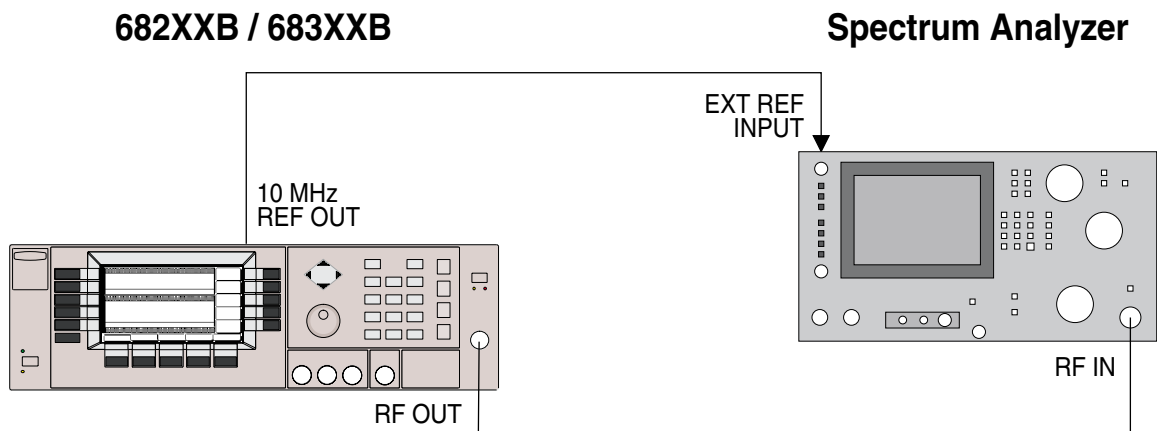
$$\%AM = 100 \times \left[ \frac{|AMPK(+)| + |AMPK(-)|}{200 + |AMPK(+)| - |AMPK(-)|} \right]$$

9. The calculated result should be between 45% and 55% AM. Record this result in the Test Record.

**3-13** **FREQUENCY  
MODULATION TESTS**

This procedure verifies the operation of the 682XXB/683XXB frequency modulation input sensitivity circuitry.

The RF OUTPUT of the 682XXB/683XXB is monitored on a Spectrum Analyzer display. In Unlocked Wide FM mode, the Spectrum Analyzer is used as a frequency counter to measure the actual FM deviation and determine FM accuracy. In Unlocked Narrow, Locked, and Locked Low-Noise FM modes, the Spectrum Analyzer is used to monitor the carrier level. FM accuracy is determined by measuring the actual FM deviation necessary to reduce the carrier level to its lowest level. These tests qualify how the FM input signal affects the signal generator's RF output.



**Figure 3-8.** *Equipment Setup for Frequency Modulation Tests*

**Test Setup**

Connect the equipment, shown in Figure 3-8, as follows:

1. Connect the 682XXB/683XXB rear panel 10 MHz REF OUT to the Spectrum Analyzer External Reference Input.
2. Connect the RF OUTPUT of the 682XXB/683XXB to the Spectrum Analyzer RF Input.

**FM Input  
Sensitivity  
Procedure**

The following procedure lets you measure the FM deviation for a specific input sensitivity in Unlocked Wide, Unlocked Narrow, Locked, and Locked Low-Noise FM modes and determine FM accuracy.

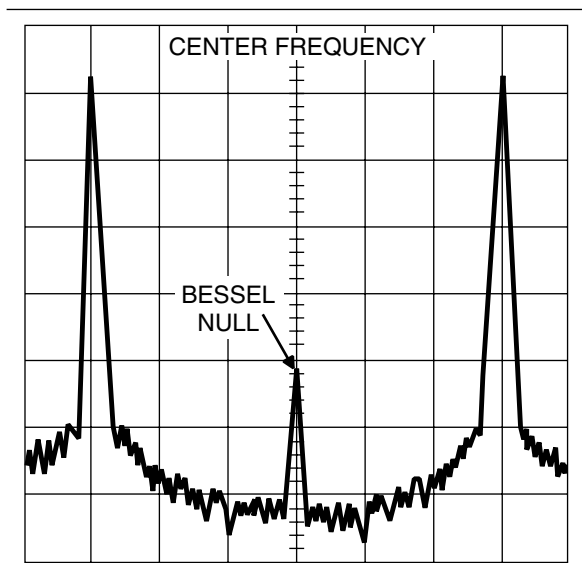
**Unlocked Wide FM Mode**

1. Set up the 682XXB/683XXB as follows:
  - a. Reset the instrument by pressing **SYSTEM**, then **Reset**. Upon reset, the CW Menu is displayed.
  - b. Press **Edit F1** to open the current frequency parameter for editing.
  - c. Set F1 to 5.0 GHz.
2. Set up the Spectrum Analyzer as follows:
  - a. CF: 5.0 GHz
  - b. Span/Div: 50 MHz (500 MHz across the display)
3. On the 682XXB/683XXB, make the following settings:
  - a. Press **MODULATION**, then **FM**. At the resulting FM Status menu, press **More** to go to the additional FM Status menu.
  - b. At the additional FM Status menu, press **Unlocked Wide**, then press **Previous Menu** to return to the main FM Status menu.
  - c. At the FM Status menu, press **Mod. Wave** to go to the Modulation Waveform Selection menu. Use the cursor control key to highlight the squarewave modulation waveform, then press **Select**.
  - d. Press **Previous Menu** to return to the FM Status menu, then press **Edit Dev.** and set the deviation to 100 MHz. Press **Edit Rate** and set the rate to 0.4 Hz.
  - e. Press **On/Off** to turn FM on.
4. On the Spectrum Analyzer, change the Span/Div setting to 5 MHz to use the analyzer as a frequency counter.
  - a. Adjust the center frequency control to position the low carrier at the center of the display. Record the frequency reading on the Test Record.
  - b. Adjust the center frequency control to position the high carrier at the center of the display. Record the frequency reading on the Test Record.

5. The difference between these two frequencies is the actual peak-to-peak frequency deviation. It should be between 190 MHz and 210 MHz. Record the difference on the Test Record.

**Unlocked Narrow FM Mode**

1. Set up the 682XXB/683XXB as follows:
  - a. Reset the instrument by pressing **SYSTEM**, then **Reset**. Upon reset, the CW Menu is displayed.
  - b. Press **Edit F1** to open the current frequency parameter for editing.
  - c. Set F1 to 5.0 GHz.
2. Set up the Spectrum Analyzer as follows:
  - a. CF: 5.0 GHz
  - b. Span/Div: 100 kHz (1 MHz across the display)
3. On the 682XXB/683XXB, make the following settings:
  - a. Press **MODULATION**, then **FM**. At the resulting FM Status menu, press **More** to go to the additional FM Status menu.
  - b. At the additional FM Status menu, press **Unlocked Narrow**, then press **Previous Menu** to return to the main FM Status menu.
  - c. At the FM Status menu, press **Edit Dev.** and set the deviation to 0.240 MHz.
  - d. Press **Edit Rate** and set the rate to 99.8 kHz.
  - e. Press **On/Off** to FM on.
4. Since the 682XXB/683XXB is now in Unlocked Narrow FM mode, it is necessary to retune the Spectrum Analyzer to center the display.
5. On the 682XXB/683XXB, use the cursor control key to place the cursor under the last 0 in the deviation setting (0.240 MHz). While observing the first Bessel null (Figure 3-9), increase/decrease the deviation frequency with the cursor control key to reduce the carrier as low as possible.
6. Record the FM deviation frequency, displayed on the 682XXB/683XXB, on the Test Record.



**Figure 3-9.** Typical Spectrum Analyzer Display of Bessel Null on FM Waveform

**NOTE**

You may need to adjust the RBW setting on the Spectrum Analyzer in order to see the  $>-48$  dBc null.

7. Compute the FM accuracy with the following formula:

$$Accuracy(in\%) = \left( \frac{FM\ Deviation(in\ kHz)}{240} \right) \times 100$$

8. The calculated result should be between 93.7% and 106.3%. Record this result on the Test Record.

#### **Locked FM Mode**

1. Set up the 682XXB/683XXB as follows:
  - a. Reset the instrument by pressing **SYSTEM**, then **Reset**. Upon reset, the CW Menu is displayed.
  - b. Press **Edit F1** to open the current frequency parameter for editing.
  - c. Set F1 to 5.0 GHz.
2. Set up the Spectrum Analyzer as follows:
  - a. CF: 5.0 GHz
  - b. Span/Div: 100 kHz (1 MHz across the display)
3. On the 682XXB/683XXB, make the following settings:
  - a. Press **MODULATION**, then **FM**. The FM Status menu is displayed.
  - b. At the FM Status menu, press **Edit Dev.** and set the deviation to 0.240 MHz.
  - c. Press **Edit Rate** and set the rate to 99.8 kHz.
  - d. Press **On/Off** to FM on.
4. On the 682XXB/683XXB, use the cursor control key to place the cursor under the last 0 in the deviation setting (0.240 MHz). While observing the first Bessel null (Figure 3-9), increase/decrease the deviation frequency with the cursor control key to reduce the carrier as low as possible.
5. Record the FM deviation frequency, displayed on the 682XXB/683XXB, on the Test Record.



6. Compute the FM accuracy with the following formula:

$$Accuracy(in\%) = \left( \frac{FM\ Deviation(in\ kHz)}{240} \right) \times 100$$

7. The calculated result should be between 93.7% and 106.3%. Record this result on the Test Record.

**Locked Low-Noise FM Mode**

1. Set up the 682XXB/683XXB as follows:
  - a. Reset the instrument by pressing **SYSTEM**, then **Reset**. Upon reset, the CW Menu is displayed.
  - b. Press **Edit F1** to open the current frequency parameter for editing.
  - c. Set F1 to 5.0 GHz.
2. Set up the Spectrum Analyzer as follows:
  - a. CF: 5.0 GHz
  - b. Span/Div: 100 kHz (1 MHz across the display)
3. On the 682XXB/683XXB, make the following settings:
  - a. Press **MODULATION**, then **FM**. At the resulting FM Status menu, press **More** to go to the additional FM Status menu.
  - b. At the additional FM Status menu, press **Locked LN**, then press **Previous Menu** to return to the main FM Status menu.
  - c. At the FM Status menu, press **Edit Dev.** and set the deviation to 0.240 MHz.
  - d. Press **Edit Rate** and set the rate to 99.8 kHz.
  - e. Press **On/Off** to FM on.
4. On the 682XXB/683XXB, use the cursor control key to place the cursor under the last 0 in the deviation setting (0.240 MHz). While observing the first Bessel null (Figure 3-9), increase/decrease the deviation frequency with the cursor control key to reduce the carrier as low as possible.
5. Record the FM deviation frequency, displayed on the 682XXB/683XXB, on the Test Record.

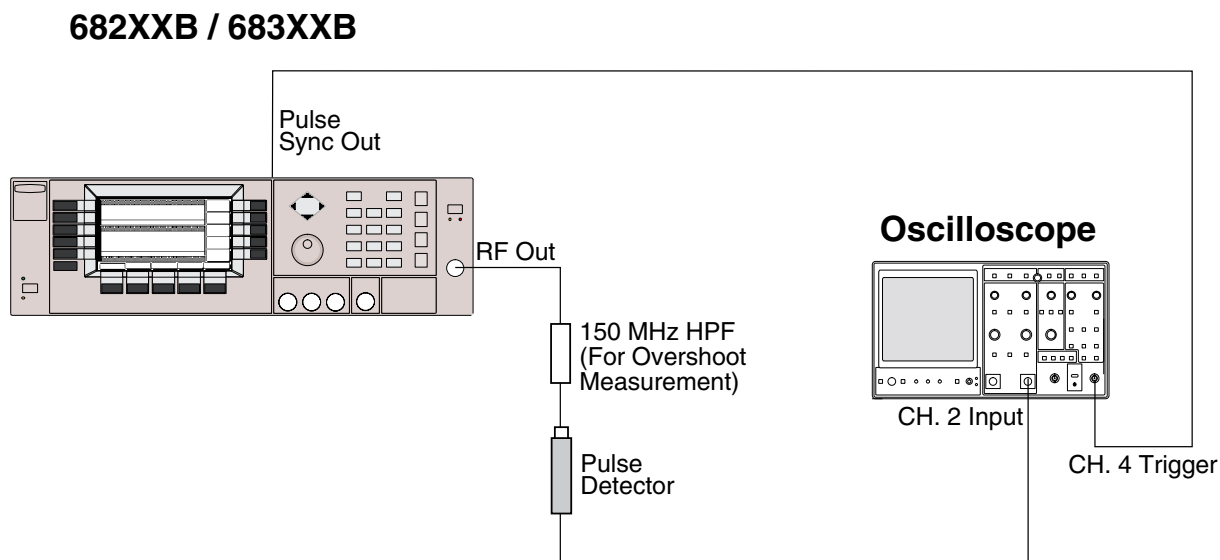
6. Compute the FM accuracy with the following formula:

$$Accuracy (in\%) = \left( \frac{FM\ Deviation\ (in\ kHz)}{240} \right) \times 100$$

7. The calculated result should be between 93.7% and 106.3%. Record this result on the Test Record.

**3-14 PULSE MODULATION  
TESTS: RISE TIME,  
FALL TIME, OVER-  
SHOOT, AND LEVEL**

Pulse modulation tests verify correct operation as well as rise time, fall time, overshoot, and level. The pulse leveling accuracy test compares the pulsed RF output level to verify the performance of the level detector(s), detector amplifiers, and ALC sample/hold circuits.



**Figure 3-10.** Equipment Setup for Pulse Modulation Tests: Rise Time, Fall Time, Overshoot, and Level

**Test Setup**

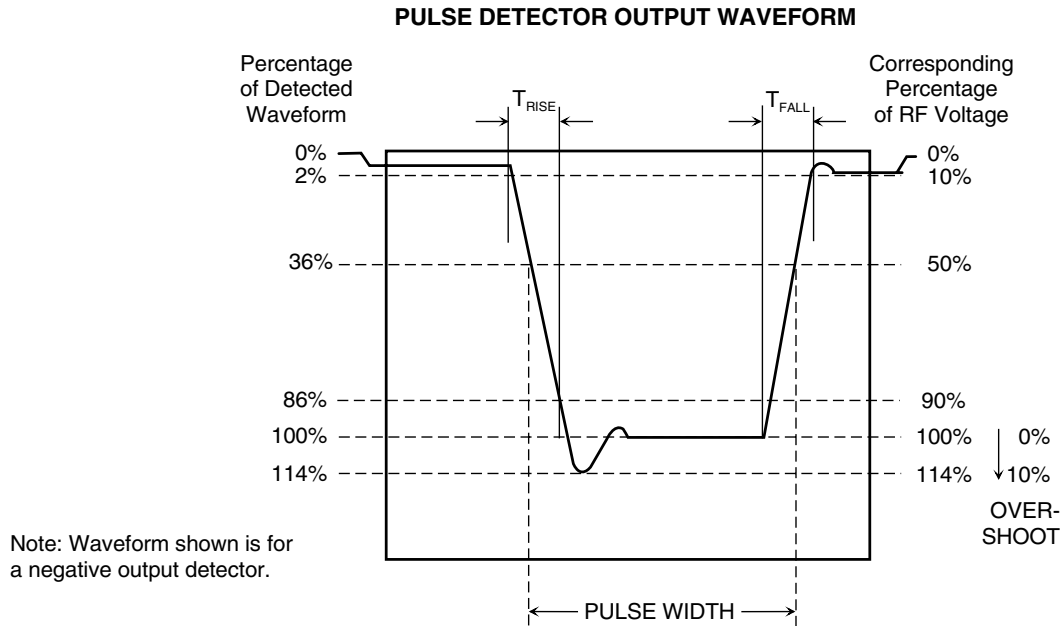
Connect the equipment, shown in Figure 3-10, as follows:

1. Connect the 682XXB/683XXB rear panel PULSE SYNC OUT to the Oscilloscope Trigger Input.
2. Connect the Pulse Detector Output to the Vertical Input of the Oscilloscope.
3. On the Oscilloscope, select 50 $\Omega$  input impedance.
4. Connect the Pulse Detector Input through a 150 MHz High Pass Filter to the 682XXB/683XXB RF OUTPUT.

***Rise/Fall  
Time and  
Overshoot***

The following procedure lets you measure the rise time, fall time, and overshoot parameters of the pulse modulation waveform.

1. Set up the 682XXB/683XXB as follows:
  - a. Reset the instrument by pressing **SYSTEM**, then **Reset**. Upon reset, the CW Menu is displayed.
  - b. Press **Edit F1** to open the current frequency parameter for editing.
  - c. Set F1 to 5.0 GHz.
  - d. Press **Edit L1** to open the current power level parameter for editing.
  - e. Set L1 to the maximum leveled output power level for the instrument being tested (refer to Table 3-2, page 3-6).
  - f. Press **MODULATION**, then **Pulse**. The Internal Pulse Status menu is displayed.
  - g. At the Internal Pulse Status menu, press **Edit Width** and set pulse width W1 to 5.0  $\mu$ s.
  - h. Press **Edit Period** and set the PRI to 0.01 ms.
  - i. Press **On/Off** to turn pulse modulation on.
2. On the Oscilloscope, turn off CH.4. Observe the output of the Pulse Detector on the Oscilloscope. Refer to Figure 3-11 to interpret the detector waveform. Adjust the Oscilloscope controls to measure the following waveform parameters.
  - a. Rise/Fall Time (10 to 90%): <10 ns
  - b. Pulse Width: 5  $\mu$ s  $\pm$ 10 ns (5 ns, typical)
  - c. PRI: 0.010 ms  $\pm$ 10 ns (5 ns, typical)
  - d. Overshoot: <10%
3. Record the results on the Test Record.



**Figure 3-11.** Measurement Parameters for a Pulse Modulation Waveform

**Pulse  
Leveling  
Accuracy**

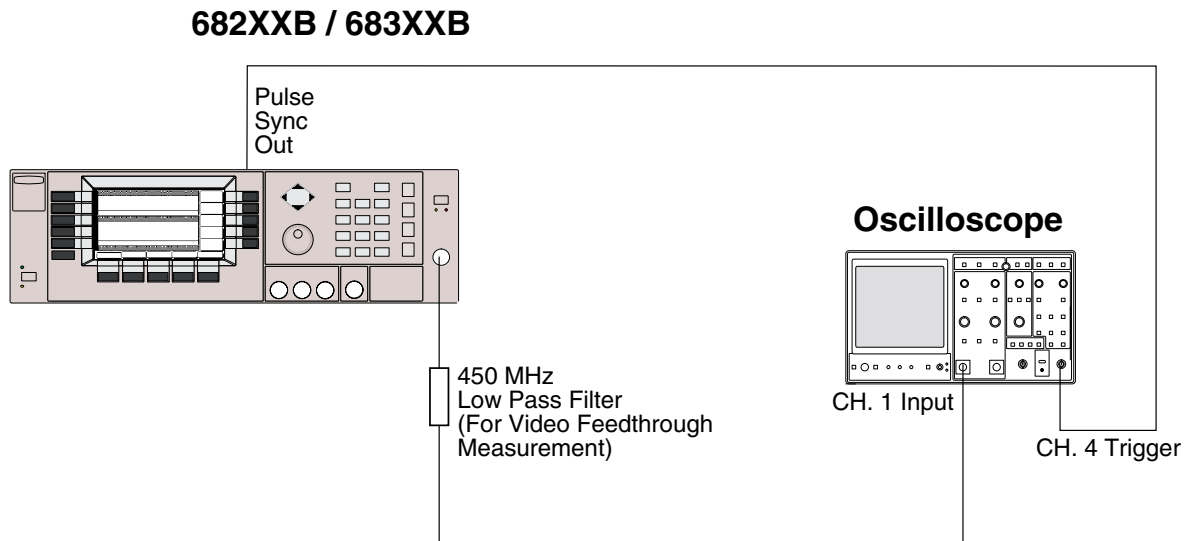
The following procedure lets you measure the pulsed RF output level and CW output level and compare them to verify pulse leveling accuracy.

1. On the 682XXB/683XXB:
  - a. Press **On/Off** (Internal Pulse Status menu) to turn off pulse modulation.
  - b. Press **CW/SWEEP SELECT** to return to the CW Menu display.
  - c. At the CW menu, press **Edit F1** and set F1 to the frequency noted in the Test Record.
2. On the Oscilloscope:
  - a. Adjust the vertical offset to place the trace exactly on the center graticule; this is used as the CW-level reference line.
  - b. Use the Auto Triggering mode to continue sweeping the display when the pulse is off.
  - c. Adjust the vertical sensitivity to the most sensitive setting (mV/div) possible while keeping the trace at the center graticule reference line.

3. On the 682XXB/683XXB:
  - a. Press **MODULATION**, then **Pulse** to go to the Internal Pulse Status Menu display.
  - b. Press **Edit Width** and set W1 to the pulse width noted in the Test Record.
  - c. Press **On/Off** to turn on pulse modulation.
4. On the Oscilloscope, observe that the nominal level of the displayed pulse peak has shifted vertically, slightly off of the centerline. It may be necessary to readjust the scope trigger level.
5. On the 682XXB/683XXB:
  - a. Press **CW/SWEEP SELECT** to return to the CW Menu display.
  - b. Record the value of the output level L1, shown in the Level display area, on the Test Record.
  - c. Press **Edit L1** and adjust the power level until the nominal peak level is evenly centered on the display centerline reference.
  - d. Record this value of the output level L1 on the Test Record.
6. Subtract the L1 reading recorded in step 5.d from the reading recorded in step 5.b. This is the pulse level error. Record it on the Test Record.
7. On the 682XXB/683XXB:
  - a. Press **Edit L1** and set L1 to the maximum leveled output power level for the instrument being tested (refer to Table 3-2, page 3-6).
  - b. Press **MODULATION**, then **Pulse** to return to the Internal Pulse Status Menu display.
  - c. Press **On/Off** to turn off pulse modulation.
8. Repeat steps 1 through 7 for any other frequencies and pulse widths noted in the Test Record. Record the results on the Test Record.

**3-15 PULSE MODULATION  
TEST: VIDEO  
FEEDTHROUGH**

This pulse modulation test verifies that video feedthrough is within specifications.



**Figure 3-12.** Equipment Setup for Pulse Modulation Test: Video Feedthrough

**Test Setup**

Connect the equipment, shown in Figure 3-12, as follows:

1. Connect the 682XXB/683XXB rear panel PULSE SYNC OUT to the Oscilloscope Trigger Input.
2. On the Oscilloscope, select 50 $\Omega$  input impedance.
3. Connect the 682XXB/683XXB RF OUTPUT to the Oscilloscope Vertical Input through a 450 MHz Low Pass Filter.

**Test  
Procedure**

The following procedure lets you measure the video feedthrough that occurs during pulse modulation.

1. Set up the 682XXB/683XXB as follows:
  - a. Reset the instrument by pressing **SYSTEM**, then **Reset**. Upon reset, the CW Menu is displayed.
  - b. Press **Edit F1** to open the current frequency parameter for editing.
  - c. Set F1 to 5.0 GHz.
  - d. Press **Edit L1** to open the current power level parameter for editing.
  - e. Set L1 to the maximum leveled output power level for the instrument being tested (refer to Table 3-2, page 3-6).
  - f. Press **MODULATION**, then **Pulse**. The Internal Pulse Status menu is displayed.
  - g. At the Internal Pulse Status menu, press **Edit Width** and set pulse width W1 to 5.0  $\mu$ s.
  - h. Press **Edit Period** and set the PRI to 0.01 ms.
  - i. Press **On/Off** to turn pulse modulation on.
2. Set the Oscilloscope controls as follows:
  - a. Vertical Sensitivity: 5 mV/div
  - b. External Trigger: On the positive slope of the Channel 1 signal input
  - c. Horiz Time Base: 1  $\mu$ s/div

**NOTE**

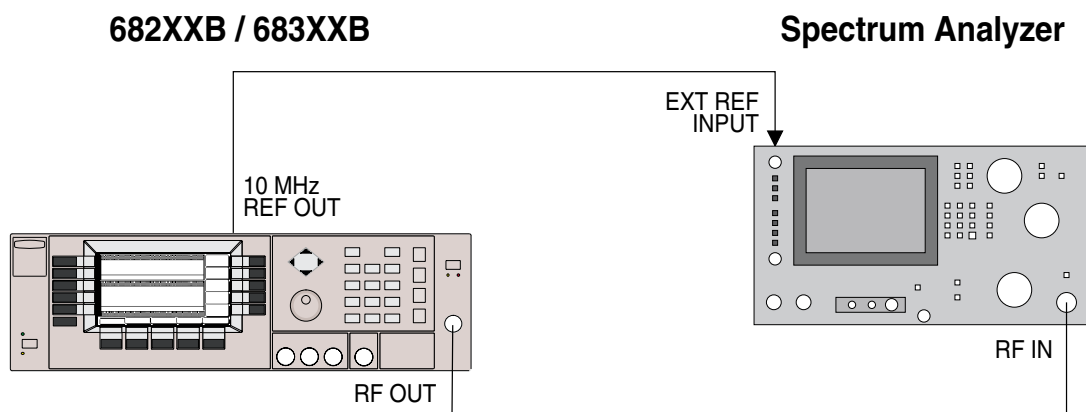
Use the Oscilloscope's 20 MHz bandwidth limit to aid in viewing the voltage spikes. It may be necessary to adjust the Oscilloscope's horizontal level as any ripple or voltage spikes are generally very small in amplitude.

3. Measure and record the voltage spikes (video feedthrough) on the Test Record. To meet specifications, they must be  $<\pm 10$  mV.



**3-16 PULSE MODULATION  
TEST: RF ON/OFF  
RATIO**

This pulse modulation test verifies that the ratio of RF on power to RF off power is within specifications.



**Figure 3-13.** Equipment Setup for Pulse Modulation Test: RF On/Off Ratio

**Test Setup**

Connect the equipment, shown in Figure 3-13, as follows:

1. Connect the 682XXB/683XXB rear panel 10 MHz REF OUT to the Spectrum Analyzer External Reference Input.
2. Connect the RF OUTPUT of the 682XXB/683XXB to the Spectrum Analyzer RF Input.

**Test  
Procedure**

The following procedure lets you determine the ratio of RF on power to RF off power during pulse modulation.

1. Set up the 682XXB/683XXB as follows:
  - a. Reset the instrument by pressing **SYSTEM**, then **Reset**. Upon reset, the CW Menu is displayed.
  - b. Press **Edit F1** to open the current frequency parameter for editing.
  - c. Set F1 to the frequency noted on the Test Record.
  - d. Press **MODULATION**, then **Pulse**. The Internal Pulse Status menu is displayed.

- e. Press **More** to go to the additional Internal Pulse Status Menu display.
  - g. Press **Internal/External** to select the external source for the modulation signal. The External Pulse Status Menu is displayed.
  - h. Press **Front/Rear** to select the rear panel PULSE TRIGGER IN connector.
  - i. Press **On/Off** to turn pulse modulation on.
2. Set up the Spectrum Analyzer as follows:
    - a. CF: Same as the 682XXB/683XXB CW frequency noted in step 1.c.
    - b. Span/Div: 10 kHz
    - c. RBW: 1 kHz
    - d. Video Filter: Wide
    - e. MIN Noise: Activated
    - f. Reference Level: Adjust to place the signal at the top graticule of the screen.
  3. Connect a short between the 682XXB/683XXB rear panel PULSE TRIGGER IN BNC connector center and outer conductors.
  4. On the Spectrum Analyzer, decrease the Reference Level by 20 dB, then measure the signal amplitude and record it on the Test Record. The measured signal must be  $\geq 60$  dB from the top graticule.

**NOTE**

A 60 dB level change plus a 20 dB decrease in the reference level equals an 80 dB on/off ratio (specification).

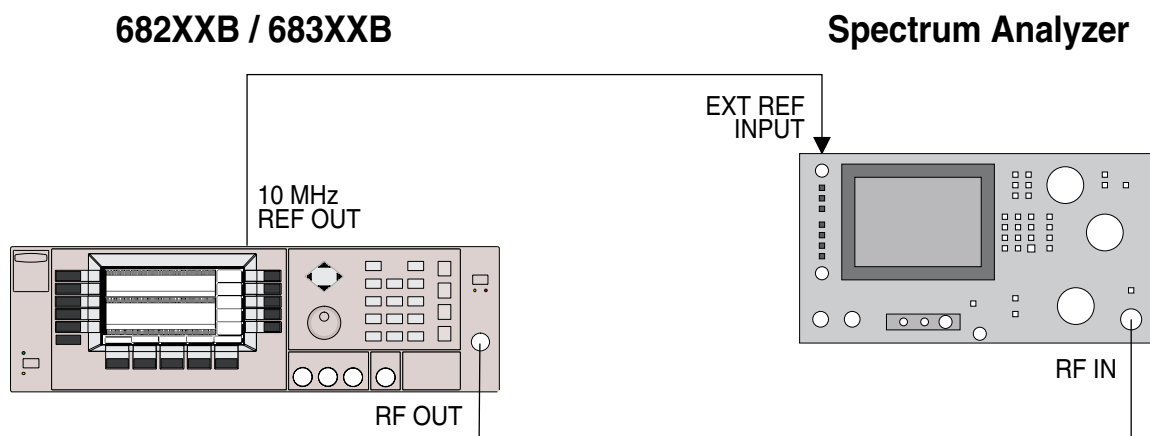
5. If the signal level drifts slowly after connecting the short, remove the short momentarily and apply it again. (Make the measurement as soon as possible after applying the short.) This drift is the result of the Sample/Hold circuit not holding the level because of the pulse duty factor (ratio of RF ON to RF OFF). This drift will not be present in normal pulse operation as the minimum pulse repetition rate is 0.597 Hz.
6. Remove the short.

7. Repeat steps 1 through 6 for any other frequencies noted on the Test Record. Record the results on the Test Record.

**3-17 PHASE MODULATION  
TESTS**

This procedure verifies the operation of the phase modulation ( $\Phi$ M) input sensitivity circuits in 682XXB/683XXBs with Option 6.

The carrier level of the 682XXB/683XXB RF output is monitored on a Spectrum Analyzer display.  $\Phi$ M accuracy, in both Wide and Narrow  $\Phi$ M modes, is determined by measuring the actual  $\Phi$ M deviation necessary to reduce the carrier level to its lowest level. These tests qualify how the FM input signal affects the signal generator's RF output.



**Figure 3-14.** Equipment Setup for Phase Modulation Tests

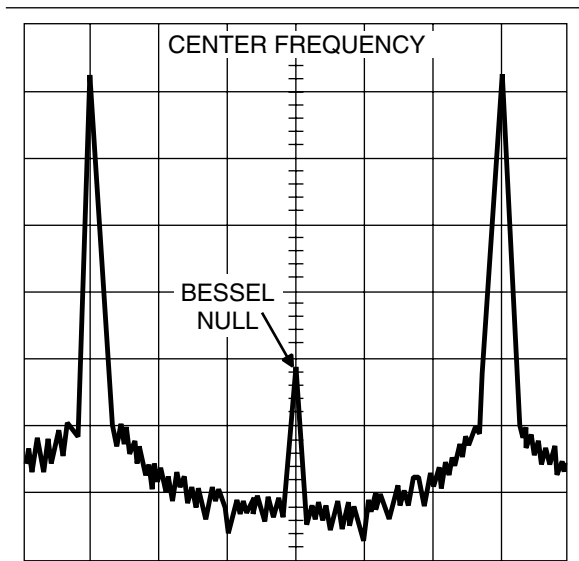
**Test Setup**

Connect the equipment, shown in Figure 3-14, as follows:

1. Connect the 682XXB/683XXB rear panel 10 MHz REF OUT to the Spectrum Analyzer External Reference Input.
2. Connect the RF OUTPUT of the 682XXB/683XXB to the Spectrum Analyzer RF Input.

**$\Phi$ M Input  
Sensitivity  
Procedure**

The following procedure lets you measure the  $\Phi$ M deviation for a specific input sensitivity in Wide and Narrow  $\Phi$ M modes and determine  $\Phi$ M accuracy.



**Figure 3-15.** Typical Spectrum Analyzer Display of Bessel Null on  $\Phi M$  Waveform

**NOTE**

You may need to adjust the RBW setting on the Spectrum Analyzer in order to see the  $>-48$  dBc null.

**WIDE  $\Phi M$  Mode**

1. Set up the 682XXB/683XXB as follows:
  - a. Reset the instrument by pressing **SYSTEM**, then **Reset**. Upon reset, the CW Menu is displayed.
  - b. Press **Edit F1** to open the current frequency parameter for editing.
  - c. Set F1 to 5.0 GHz.
2. Set up the Spectrum Analyzer as follows:
  - a. CF: 5.0 GHz
  - b. Span/Div: 100 kHz (1 MHz across the display)
3. On the 682XXB/683XXB, make the following settings:
  - a. Press **MODULATION**, then  **$\Phi M$** . At the resulting  $\Phi M$  Status menu, press **More** to go the additional  $\Phi M$  Status menu.
  - b. At the additional  $\Phi M$  Status menu, press **Wide**, then press **Previous Menu** to return to the main  $\Phi M$  Status menu.
  - c. At the  $\Phi M$  Status menu, press **Edit Dev.** and set the deviation for 2.40 rad.
  - d. Press **Edit Rate** and set the rate to 99.8 kHz.
  - e. Press **On/Off** to turn  $\Phi M$  on.
4. On the 682XXB/683XXB, use the cursor control key to place the cursor under the last 0 in the deviation setting (2.40 rad). While observing the first Bessel null (Figure 3-15), increase/decrease the  $\Phi M$  deviation with the cursor control key to reduce the carrier as low as possible.
5. Record the  $\Phi M$  deviation, displayed on the 682XXB/683XXB, on the Test Record.
6. Compute the  $\Phi M$  accuracy with the following formula:
 
$$Accuracy(in\%) = \left( \frac{\Phi M\ Deviation\ (in\ rad)}{240} \right) \times 100$$
7. The calculated result should be between 93.7% and 106.3%. Record this result on the Test Record.

**Narrow  $\Phi$ M Mode**

1. Set up the 682XXB/683XXB as follows:
  - a. Reset the instrument by pressing **SYSTEM**, then **Reset**. Upon reset, the CW Menu is displayed.
  - b. Press **Edit F1** to open the current frequency parameter for editing.
  - c. Set F1 to 5.0 GHz.
2. Set up the Spectrum Analyzer as follows:
  - a. CF: 5.0 GHz
  - b. Span/Div: 100 kHz (1 MHz across the display)
3. On the 682XXB/683XXB, make the following settings:
  - a. Press **MODULATION**, then  **$\Phi$ M**. At the resulting  $\Phi$ M Status menu, press **More** to go to the additional  $\Phi$ M Status menu.
  - b. At the additional  $\Phi$ M Status menu, press **Narrow**, then press **Previous Menu** to return to the main  $\Phi$ M Status menu.
  - c. At the  $\Phi$ M Status menu, press **Edit Dev.** and set the deviation to 2.40 rad.
  - d. Press **Edit Rate** and set the rate to 99.8 kHz.
  - e. Press **On/Off** to turn  $\Phi$ M on.
4. On the 682XXB/683XXB, use the cursor control key to place the cursor under the last 0 in the deviation setting (2.40 rad). While observing the first Bessel null (Figure 3-15), increase/decrease the  $\Phi$ M deviation with the cursor control key to reduce the carrier as low as possible.
5. Record the  $\Phi$ M deviation, displayed on the 682XXB/683XXB, on the Test Record.
6. Compute the  $\Phi$ M accuracy with the following formula:
 
$$Accuracy(in\%) = \left( \frac{\Phi M\ Deviation(in\ rad)}{240} \right) \times 100$$
7. The calculated result should be between 93.7% and 106.3%. Record this result on the Test Record.

**NOTE**

You may need to adjust the RBW setting on the Spectrum Analyzer in order to see the  $>-48$  dBc null.

# Chapter 4

## Calibration

### *Table of Contents*

---

|      |  |      |
|------|--|------|
| 4-1  | INTRODUCTION . . . . .   | 4-3  |
| 4-2  | RECOMMENDED TEST EQUIPMENT . . . . .                                 | 4-3  |
| 4-3  | TEST RECORDS . . . . .   | 4-3  |
| 4-4  | CALIBRATION FOLLOWING SUBASSEMBLY<br>REPLACEMENT . . . . .           | 4-4  |
| 4-5  | CONNECTOR AND KEY LABEL NOTATION . . .                               | 4-4  |
| 4-6  | INITIAL SETUP. . . . .   | 4-7  |
|      | Interconnection . . . . .  | 4-7  |
|      | PC Setup — Windows 3.1 . . . . .                                     | 4-8  |
|      | PC Setup — Windows 95 . . . . .                                      | 4-10 |
| 4-7  | PRELIMINARY CALIBRATION . . . . .                                    | 4-13 |
|      | Equipment Setup. . . . .   | 4-13 |
|      | Calibration Steps. . . . .   | 4-14 |
| 4-8  | SWITCHED FILTER SHAPER CALIBRATION . .                               | 4-17 |
|      | Equipment Setup. . . . .   | 4-17 |
|      | Log Amplifier Zero Calibration . . . . .                             | 4-18 |
|      | Limiter DAC Adjustment . . . . .                                     | 4-18 |
|      | Shaper DAC Adjustment . . . . .                                      | 4-19 |
| 4-9  | RF LEVEL CALIBRATION . . . . .                                       | 4-22 |
| 4-10 | ALC SLOPE CALIBRATION (FIRMWARE<br>VERSION 1.01 TO 2.00) . . . . .   | 4-23 |
|      | Equipment Setup. . . . .   | 4-23 |
|      | ALC Slope DAC Adjustment . . . . .                                   | 4-24 |
|      | ALC SLOPE CALIBRATION (FIRMWARE<br>VERSION 2.00 AND ABOVE) . . . . . | 4-27 |
|      | Equipment Setup. . . . .   | 4-27 |

**Table of Contents (Continued)**

|      |   |      |
|------|---|------|
|      | ALC Slope DAC Adjustment . . . . .  | 4-28 |
| 4-11 | ALC BANDWIDTH CALIBRATION . . . . .   | 4-31 |
|      | Equipment Setup. . . . .  | 4-31 |
|      | Bandwidth Calibration . . . . .   | 4-31 |
| 4-12 | AM CALIBRATION . . . . .  | 4-33 |
|      | Equipment Setup. . . . .  | 4-33 |
|      | AM Calibration Procedure . . . . .  | 4-34 |
| 4-13 | FM CALIBRATION – FIRMWARE VERSIONS 1.01<br>TO 2.10 (VERSION 1.00 FOR 682X5B/683X5B) . . . . .   | 4-37 |
|      | Equipment Setup. . . . .  | 4-37 |
|      | FM Calibration Procedure . . . . .  | 4-38 |
|      | FM CALIBRATION – FIRMWARE VERSION 2.18<br>AND ABOVE FOR 682XXBs/VERSION 2.20 AND<br>ABOVE FOR 683XXBs (VERSION 1.07 AND ABOVE<br>FOR 682X5B/683X5B) . . . . . | 4-44 |
|      | Equipment Setup. . . . .  | 4-44 |
|      | FM Calibration Procedure . . . . .  | 4-45 |
| 4-14 | PHASE MODULATION ( $\Phi$ M) CALIBRATION. . . . .   | 4-51 |
|      | Equipment Setup. . . . .  | 4-51 |
|      | $\Phi$ M Calibration Procedure . . . . .  | 4-52 |



# Chapter 4

## Calibration

### 4-1 INTRODUCTION

This chapter contains procedures for calibrating the Series 682XXB/683XXB Synthesized Signal Generators. These procedures are typically performed because out-of-tolerance conditions have been noted during performance verification testing (see Chapter 3) or as a result of replacement of subassemblies or RF components.

#### NOTE

The calibration procedures herein support operating firmware versions as follows: series 682XXB models—Version 1.01 and above; series 683XXB models—Version 1.01 and above; series 682X5B/683X5B models—Version 1.00 and above. It is recommended that you upgrade your instrument's operating firmware to the latest available version prior to calibration.

### 4-2 RECOMMENDED TEST EQUIPMENT

Table 4-1 (page 4-4) provides a list of the recommended test equipment for these calibration procedures.

The procedures refer to specific test equipment front panel control settings when the test setup is critical to making accurate measurements. In some cases, the user may substitute test equipment having the same critical specifications as those on the recommended test equipment list.

Contact your local ANRITSU service center (Refer to Table 1-5 on page 1-18) if you need clarification of any equipment or procedural reference.

### 4-3 TEST RECORDS

A blank copy of a sample calibration test record for each 682XXB/683XXB model is provided in Appendix A. Each test record contains model-specific variables called for by the calibration procedures. It also provides a means for maintaining an accurate and complete record of instrument calibration. We recommend that you copy these pages and use them to record the results from (1) your initial calibration of out-of-tolerance 682XXB/683XXB circuits, or (2) your initial calibration of the 682XXB/683XXB following replacement of subassemblies or RF components. These initial readings can be used later as benchmark values for future tests of the same serial-numbered instruments.

**4-4 CALIBRATION  
FOLLOWING  
SUBASSEMBLY  
REPLACEMENT**

Table 4-2 (page 4-6) lists the calibration that should be performed following the replacement of 682XXB/683XXB subassemblies or RF components.

**4-5 CONNECTOR AND KEY  
LABEL NOTATION**

The calibration procedures include many references to equipment interconnections and control settings. For all 682XXB/683XXB references, specific labels are used to denote the appropriate menu key, data entry key, data entry control, or connector (such as CW/SWEEP SELECT or RF OUTPUT). Most references to supporting test equipment use general labels for commonly used controls and connections (such as Span or RF Input). In some cases, a specific label is used that is a particular feature of the test equipment listed in Table 4-1.

**Table 4-1.** Recommended Test Equipment for Calibration Procedures (1 of 2)

| <b>INSTRUMENT</b>              | <b>CRITICAL SPECIFICATION</b>  | <b>RECOMMENDED MANUFACTURER/MODEL</b>                                       | <b>PROCEDURE NUMBER</b> |
|--------------------------------|--|---|-------------------------|
| Frequency Counter              | <i>Frequency Range:</i> 1 to 20 GHz<br><i>Input Impedance:</i> 50Ω<br><i>Resolution:</i> 1 Hz  | EIP Microwave, Inc. Model 578B  | 4-7                     |
| Spectrum Analyzer              | <i>Frequency Range:</i> 1 to 20 GHz<br><i>Resolution Bandwidth:</i> 10 Hz  | Tektronix, Model 2794   | 4-13, 4-14              |
| Power Meter, with Power Sensor | <i>Power Range:</i> -30 to +20 dBm<br>(1μW to 100mW)   | Hewlett-Packard Model 437B, with Power Sensor:<br>HP 8487A (0.01 to 50 GHz) | 4-12                    |
| Power Meter with Power Sensor  | <i>Power Range:</i> -30 to +20 dBm<br>(1μW to 100mW)   | Anritsu ML4803A, with Power Sensor:<br>MP716A4 (50 to 75 GHz)               | 4-12                    |
| Frequency Standard             | <i>Frequency:</i> 10 MHz<br><i>Accuracy:</i> 1 × 10 <sup>-10</sup> parts/day   | Spectracom Corp., Model 8161  | 4-7                     |
| Function Generator             | <i>Output Voltage:</i> 2 volts peak-to-peak<br><i>Functions:</i> 0.1 Hz to 100 kHz sine and square waveforms   | Hewlett-Packard, Model 8116A  | 4-12, 4-13, 4-14        |
| Function Generator             | <i>Output Voltage:</i> 2 volts peak-to-peak<br><i>Functions:</i> 0.1 Hz to 100 kHz sine and square waveforms   | Hewlett-Packard, Model 33120A   | 4-12, 4-13, 4-14        |
| Digital Multimeter             | <i>Resolution:</i> 4-1/2 digits (to 20V)<br><i>DC Accuracy:</i> 0.002% +2 counts<br><i>DC Input Impedance:</i> 10 MΩ<br><i>AC Accuracy:</i> 0.07% +100 counts (to 20 kHz)<br><i>AC Input Impedance:</i> 1 MΩ | John Fluke, Inc., Model 8840A, with Option 8840A-09K (True RMS AC)          | 4-12, 4-13, 4-14        |

**Table 4-1.** Recommended Test Equipment for Calibration Procedures (2 of 2)

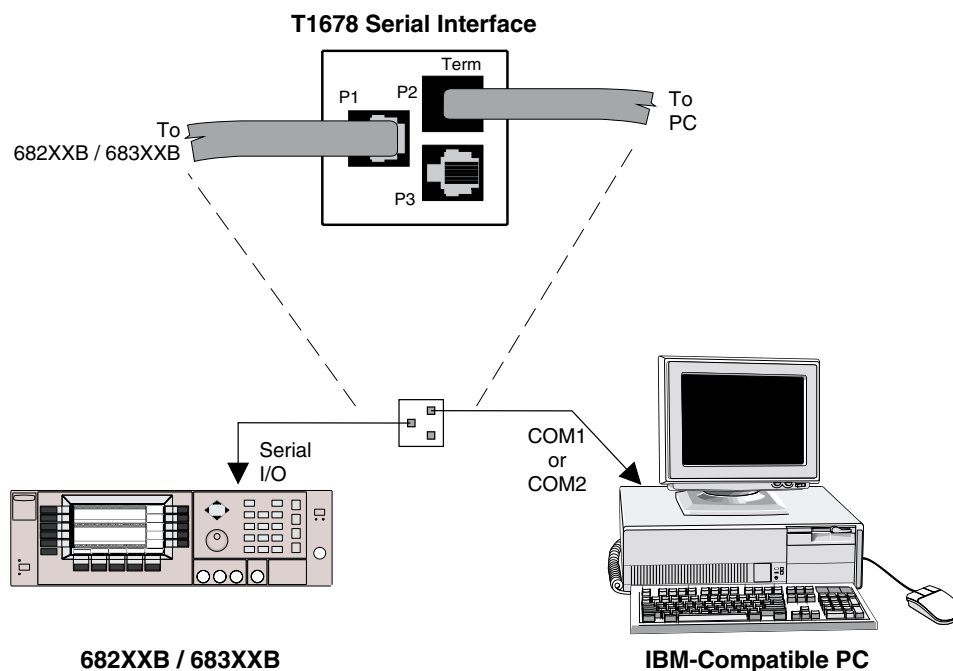
| <b>INSTRUMENT</b>                         | <b>CRITICAL SPECIFICATION</b>  | <b>RECOMMENDED MANUFACTURER/MODEL</b>  | <b>PROCEDURE NUMBER</b> |
|---|--|--|-------------------------|
| Scalar Network Analyzer, with RF Detector | <i>Frequency Range:</i> 0.01 to 50 GHz   | ANRITSU Model 562, with RF Detector:<br>560-7K50 (0.01 to 40 GHz)<br>560-7VA50 (0.01 to 50 GHz)<br>SC5198 (40 to 60 GHz) | 4-8, 4-10               |
| Adapter                                   | K (male) to 2.4 mm (female)<br>Adapts the Power Sensor, HP 8487A, to the 682XXB/683XXB RF OUTPUT connector ( $\leq 40$ GHz models) | Hewlett-Packard<br>Part Number: HP 11904D  | 4-12                    |
| Adapter                                   | Adapts the MP716A4 Power Sensor to the ML4803A Power Meter   | Anritsu MA4002B  | 4-12                    |
| Adapter                                   | WR15 to V (male)<br>Adapts the MP716A4 Power Sensor to the 682XXB/683XXB RF OUTPUT connector ( $> 40$ GHz)                         | ANRITSU, Model 35WR15V   | 4-12                    |
| Attenuator                                | <i>Frequency Range:</i> DC to 40 GHz<br><i>Max Input Power:</i> $> +17$ dBm<br><i>Attenuation:</i> 10 dB                           | ANRITSU, Model 41KC-10   | 4-8, 4-9                |
| Attenuator                                | <i>Frequency Range:</i> DC to 60 GHz<br><i>Max Input Power:</i> $> +17$ dBm<br><i>Attenuation:</i> 10 dB                           | ANRITSU, Model 41V-10  | 4-8, 4-9                |
| Personal Computer                         | <i>PC Configuration:</i> IBM AT or compatible<br><i>Operating System:</i> Windows 3.1<br><i>Accessories:</i> Mouse                 | Any common source  | All procedures          |
| Serial Interface Assy                     | Provides serial interface between the PC and the 682XXB/683XXB.  | ANRITSU P/N: T1678   | All procedures          |
| Tee                                       | <i>Connectors:</i> 50 $\Omega$ BNC   | Any common source  | 4-12, 4-13, 4-14        |
| Cables                                    | <i>Connectors:</i> 50 $\Omega$ BNC   | Any common source  | All procedures          |

**Table 4-2.** Calibration Following Subassembly/RF Component Replacement

| <b>Subassembly/RF Component Replaced</b>   | <b>Perform the Following Calibration(s) in Paragraph(s):</b> |
|--|--|
| A1, A2 Front Panel Assy                    | None   |
| A3 Reference Loop PCB                      | 4-7  |
| A4 Coarse Loop PCB                         | 4-7  |
| A5 Fine Loop PCB                           | 4-7  |
| A6 Pulse Generator PCB                     | None   |
| A7 YIG Loop PCB                            | None   |
| A8 Function Generator PCB                  | 4-12   |
| A9 PIN Control PCB                         | 4-8, 4-9, 4-10, 4-11   |
| A10 ALC PCB                                | 4-8, 4-9, 4-10, 4-11, 4-12                                   |
| A11 FM PCB                                 | 4-13 (and 4-14 if Option 6 is installed)                     |
| A12 Analog Instruction PCB                 | 4-7  |
| A13 YIG Driver PCB                         | 4-7  |
| A14 SDM, SQM Driver PCB                    | 4-9, 4-10, 4-11  |
| A15 Regulator PCB                          | None   |
| A16 CPU Interface PCB                      | 4-7  |
| A17 CPU PCB                                | 4-7 thru 4-13. None, if calibration EEPROM reused.           |
| A18 Power Supply PCB                       | None   |
| A19 AC Line Conditioner PCB                | None   |
| A21 Line Filter/Rectifier PCB              | None   |
| A21-1 BNC/Aux IO Connector PCB             | None   |
| YIG-tuned Oscillator                       | 4-7  |
| 0.01 to 2 GHz Down Converter Assy          | 4-8, 4-9, 4-10, 4-11   |
| 0.5 to 2.2 GHz Digital Down Converter Assy | 4-8, 4-9, 4-10, 4-11   |
| Switched Filter Assy                       | 4-8, 4-9, 4-10, 4-11   |
| Switched Doubler Module (SDM)              | 4-8, 4-9, 4-10, 4-11   |
| Source Quadrupler Module (SQM)             | 4-8, 4-9, 4-10, 4-11   |
| Forward Coupler                            | 4-8, 4-9, 4-10, 4-11   |
| Directional Coupler                        | 4-8, 4-9, 4-10, 4-11   |
| Step Attenuator                            | 4-8, 4-9, 4-10   |

**4-6 INITIAL SETUP**

The 682XXB/683XXB is calibrated using an IBM compatible PC and external test equipment. The PC must have the Windows 3.1 or Windows 95 operating system installed and be equipped with a mouse. Initial setup consists of interfacing the PC to the signal generator.



**Figure 4-1.** PC to 682XXB/683XXB Interconnection for Calibration

**Interconnection**

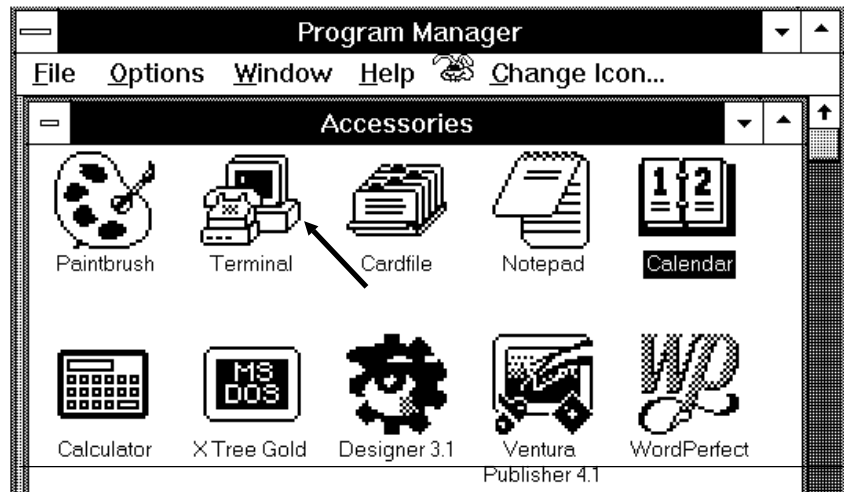
Using the ANRITSU P/N T1678 serial interface assembly, connect the PC to the 682XXB/683XXB as follows:

1. Connect the wide flat cable between the 682XXB/683XXB rear panel SERIAL I/O connector and the P1 connector on the T1678 serial interface PCB.
2. Connect the narrow flat cable between the P2 (TERM) connector on the T1678 serial interface PCB and the COM1 or COM2 connector on the PC. Use the RJ11-to-DB-9 or RJ11-to-DB-25 adapter, provided with the T1678 serial interface assembly, to make the connection at the PC.

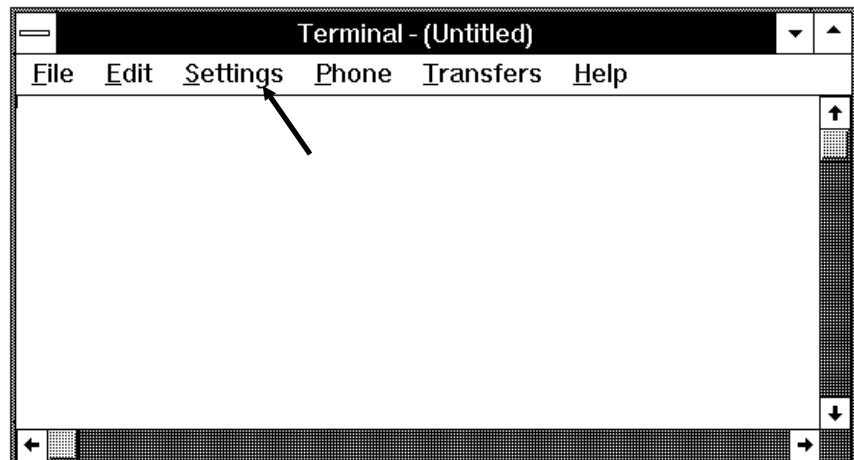
**PC Setup —  
Windows 3.1**

Configure the PC with Windows 3.1 operating system to interface with the 682XXB/683XXB as follows:

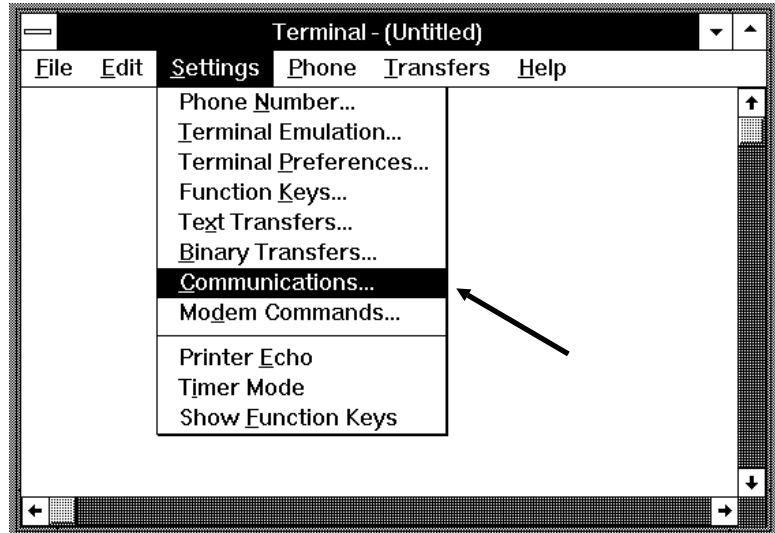
1. Power up the 682XXB/683XXB.
2. Power up the PC and place it in Windows.
3. Double click on the Terminal Icon to bring up the Terminal (Untitled) window. The initial installation of Windows places the Terminal Icon in the Accessories window.



4. At the Terminal window, click on Settings to display the Settings menu.



5. Click on Communications.

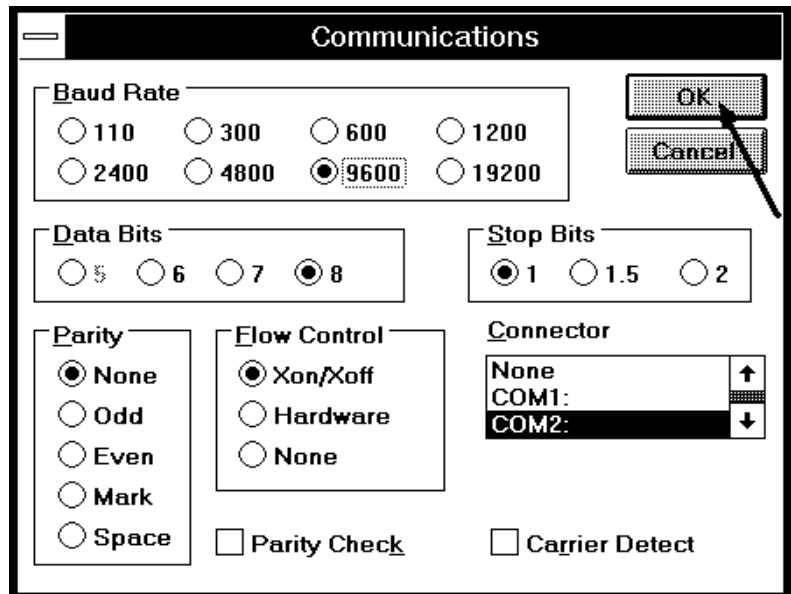


6. At the Communications Dialog box, select the following options:

**NOTE**

When calibrating instruments with operating firmware Version 2.00 and above (Version 1.00 and above for 682X5B/683X5B models), set the Baud rate to 19200.

- |              |   |
|--------------|---|
| Baud Rate    | 9600 (See Note)                               |
| Data Bits    | 8   |
| Stop Bits    | 1   |
| Parity       | None  |
| Flow Control | Xon/Xoff                                      |
| Connector    | Select connection made during interconnection |



7. After making the selections, click on the OK button.
8. Press <ENTER> on the keyboard.
9. Verify that a \$ prompt appears on the PC display.
10. This completes the initial setup for calibration.

***PC Setup —  
Windows 95***

Configure the PC with Windows 95 operating system to interface with the 682XXB/683XXB as follows:

1. Power up the 682XXB/683XXB.
2. Power up the PC and place it in Windows.
3. Click on the Start button to activate the first menu.
4. Go to Programs and place the mouse pointer on Accessories to highlight the third menu.
5. Select Hyper Terminal to bring up the selection window (below).

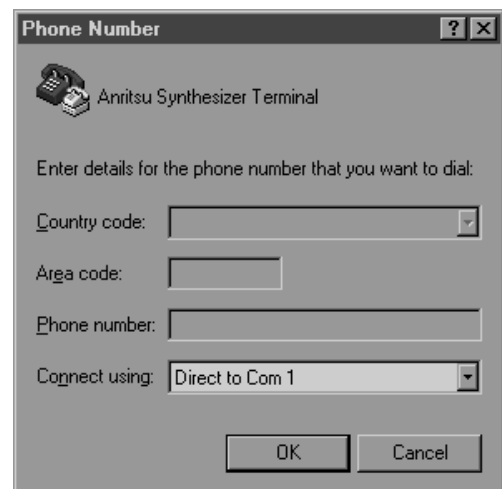


6. Click on Hypertrm (Hypertrm.exe) to bring up the New Connection window (next page).

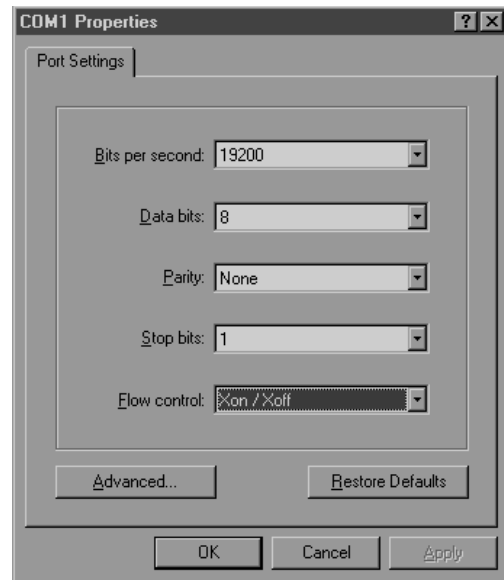




7. In the New Connection Name box, type a name for the connection, then click on the OK button. The window below is now displayed.



8. In the Connect using box, type **Direct to Com " \_ "**. Enter the number of the communications port being used, for example: Com1.
9. Click on OK. The Communications Port Properties window is displayed (next page).



**NOTE**

When calibrating instruments with operating firmware below Version 2.00, set the Bits per second rate to 9600. (This does **not** apply to 682X5B/683X5B models.)

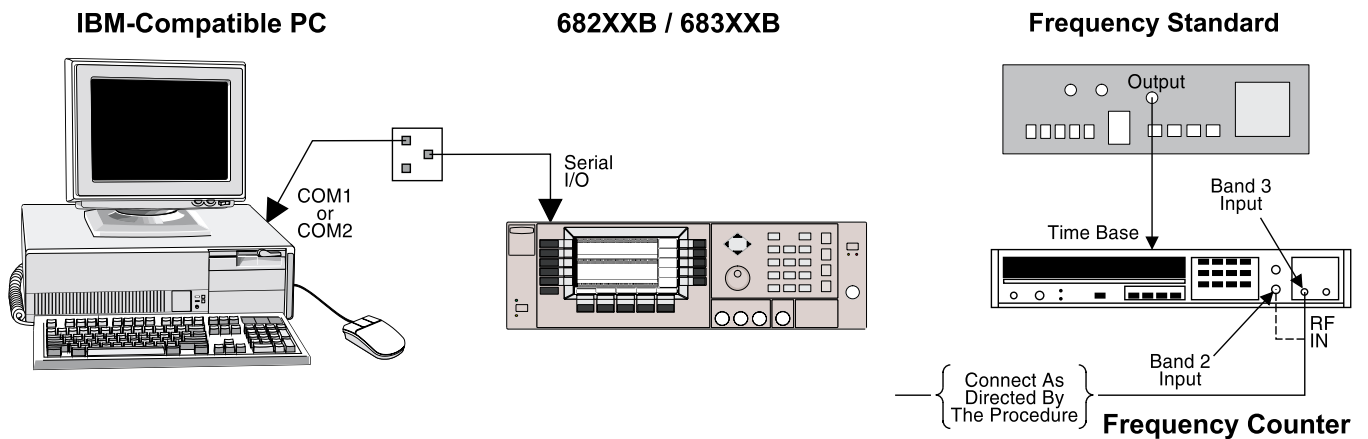
10. In the Properties window, make the following selections:

|                         |                  |
|-------------------------|------------------|
| <u>B</u> its per second | 19200 (See Note) |
| <u>D</u> ata bits       | 8                |
| <u>P</u> arity          | None             |
| <u>S</u> top bits       | 1                |
| <u>F</u> low control    | Xon / Xoff       |

11. After making the selections, click on the OK button.
12. Press <ENTER> on the keyboard.
13. Verify that the \$ prompt appears on the PC display.
14. This completes the initial setup for calibration.

**4-7 PRELIMINARY  
CALIBRATION**

This procedure provides the steps necessary to initially calibrate the coarse loop, fine loop, frequency instruction, and internal DVM circuitry and the 100 MHz reference oscillator of the 682XXB/683XXB.



**Figure 4-2.** Equipment Setup for Preliminary Calibration

**Equipment Setup**

Connect the equipment, shown in Figure 4-2, as follows:

1. Interface the PC to the 682XXB/683XXB by performing the initial setup procedure, pages 4-7 to 4-12.
2. Connect the Frequency Counter to the 682XXB/683XXB when directed to do so during the calibration procedure.

**NOTES**

If the 682XXB/683XXB has option 19 installed, verify that the GPIB is configured for the Native external interface language before beginning instrument calibration.

Before beginning this calibration procedure, *always* let the 682XXB/683XXB warm up for a minimum of one hour.

**Calibration  
Steps**

Each of the steps in this procedure provides initial calibration of a specific 682XXB/683XXB circuit or component. To ensure accurate instrument calibration, each step of this procedure must be performed in sequence.

1. Calibrate the internal DVM circuitry as follows:
  - a. At the **\$** prompt, type: **calterm 119** and press <ENTER>. (The **\$** prompt will appear on the screen when the calibration is complete.)
  - b. Record step completion on the Test Record.
2. Calibrate the Coarse Loop Pretune DAC as follows:
  - a. At the **\$** prompt, type: **calterm 137** and press <ENTER>. (The **\$** prompt will appear on the screen when the calibration is complete.)
  - b. Record step completion on the Test Record.
3. Calibrate the Fine Loop Pretune DAC as follows:
  - a. At the **\$** prompt, type: **calterm 136** and press <ENTER>. (The **\$** prompt will appear on the screen when the calibration is complete.)
  - b. Record step completion on the Test Record.
4. Calibrate the Sweep Time DAC as follows:
  - a. At the **\$** prompt, type: **calterm 132** and press <ENTER>. (The **\$** prompt will appear on the screen when the calibration is complete.)
  - b. Record step completion on the Test Record.
5. Calibrate the YIG Frequency Offset DAC as follows:
  - a. At the **\$** prompt, type: **calterm 134** and press <ENTER>.
  - b. Follow the instructions on the screen.

**NOTE**

To save the calibration data after completing any calibration step, type: **calterm 787** and press <ENTER>.

**NOTE**

Adjust the DAC to the number that will get the closest to the 1.9 GHz and 8.3 GHz called for by the procedure.

- c. Record step completion on the Test Record.

6. Calibrate the YIG Frequency Linearizer DACs as follows:
  - a. At the **\$** prompt, type: **calterm 127** and press <ENTER>.
  - b. Follow the instructions on the screen. Enter the value of the frequency counter reading as XXXX MHz.
  - c. Record step completion on the Test Record.
7. Calibrate the 100 MHz Reference Oscillator as follows:
  - a. If Option 16 (High Stability Time Base) is installed, disconnect the cable at A3J6.
  - b. Connect the frequency counter to the 682XXB/683XXB RF output connector.
  - c. At the **\$** prompt, type: **calterm 130** and press <ENTER>.
  - d. Follow the instructions on the screen.
  - e. Reconnect the cable to A3J6, if removed.
  - f. If Option 16 is installed, use a Phillips screwdriver and remove the screw on top of the 10 MHz High Stability Crystal Oscillator assembly to gain access to the timebase adjustment screw.
  - g. Using the Phillips screwdriver, adjust the timebase to obtain a frequency counter reading of exactly 10 GHz.
  - h. Record step completion on the Test Record.
8. Calibrate the Ramp Center DAC as follows:
  - a. At the **\$** prompt, type: **calterm 129** and press <ENTER>. (The **\$** prompt will appear on the screen when the calibration is complete.)
  - b. Record step completion on the Test Record.
9. Calibrate the Sweep Width DAC as follows:
  - a. At the **\$** prompt, type: **calterm 133** and press <ENTER>. (This calibration can take approximately 2 minutes to complete.)

The **\$** prompt will appear on the screen when the calibration is complete.
  - b. Record step completion on the Test Record.

**NOTE**

Because the 100 MHz Calibration DAC is an 8-bit DAC, adjustment resolution is typically 400 Hz/step.

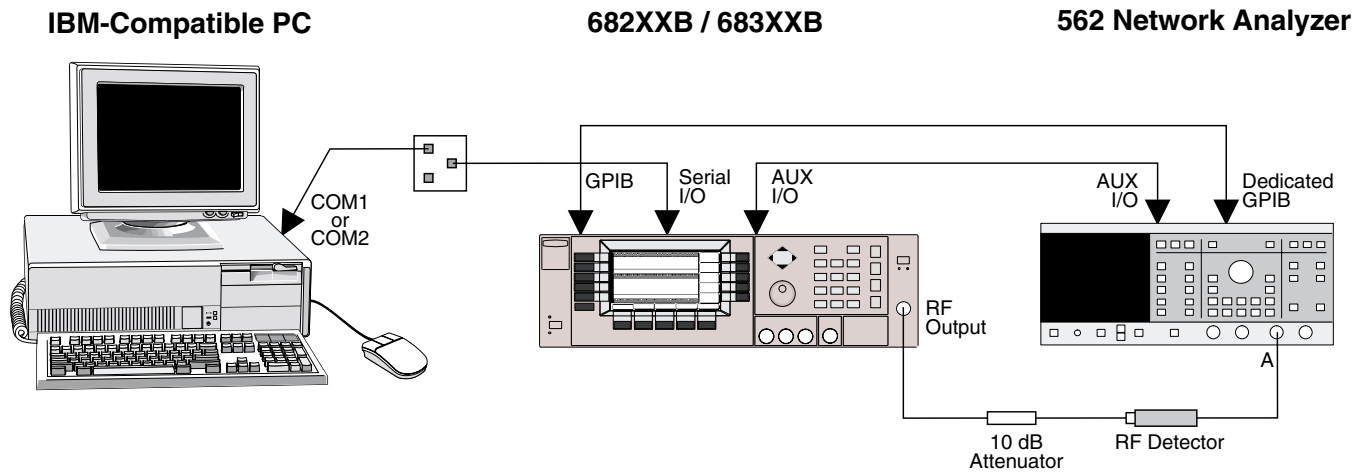
**CAUTION**

When saving calibration data, turning off the instrument before the \$ prompt returns to the screen can cause all stored data to be lost.

10. Calibrate the Center Frequency DAC as follows:
  - a. At the \$ prompt, type: **calterm 114** and press <ENTER>. (The \$ prompt will appear on the screen when the calibration is complete.)
  - b. Record step completion on the Test Record.
  
11. Store the calibration data as follows:
  - a. At the \$ prompt, type: **calterm 787** and press <ENTER>. (The \$ prompt will appear on the screen when the calibration data has been stored.)
  - b. Record step completion on the Test Record.

**4-8 SWITCHED FILTER SHAPER CALIBRATION**

This procedure provides the steps necessary to adjust the Switched Filter Shaper Amplifier gain to produce a more constant level amplifier gain with power level changes.



**Figure 4-3.** Equipment Setup for Switched Filter Shaper Calibration

**Equipment Setup**

Connect the equipment, shown in Figure 4-3, as follows:

1. Interface the PC to the 682XXB/683XXB by performing the initial setup procedure, pages 4-7 to 4-12.
2. Using the Auxiliary I/O cable, connect the 682XXB/683XXB rear panel AUX I/O connector to the 562 Network Analyzer AUX I/O connector.
3. Using the GPIB cable, connect the 562 Network Analyzer DEDICATED GPIB connector to the 682XXB/683XXB IEEE-488 GPIB connector.
4. Connect the RF Detector to the 562 Network Analyzer Channel A Input connector.
5. Connect the 682XXB/683XXB RF OUTPUT connector to the RF Detector via a 10 dB Attenuator.

**NOTE**

Before beginning this calibration procedure, *always* let the 682XXB/683XXB warm up for a minimum of one hour.

***Log Amplifier  
Zero Calibration***

Before the Switched Filter Shaper Amplifier can be adjusted, zero calibration of the ALC Log amplifier must be performed to eliminate any DC offsets.

1. Perform ALC Log amplifier zero calibration as follows:
  - a. At the **\$** prompt on the PC display, type:  
**calterm 115** and press <ENTER>. The **\$** prompt will appear on the screen when ALC Log amplifier zero calibration is complete. (This can take up to 3 minutes for a 40 GHz unit.)
  - b. Record step completion on the Test Record.

**NOTE**

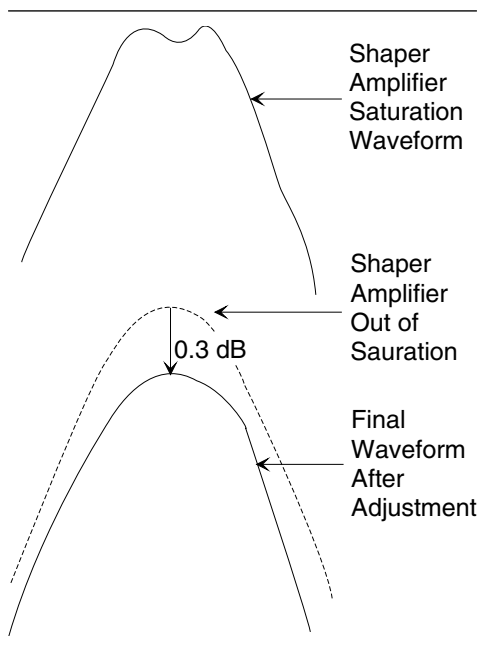
The following Limiter DAC adjustment procedure applies only to 682XXB/683XXBs with Option 15B (High Power Output). If your instrument does not have this option, go directly to the Shaper DAC adjustment procedure.

***Limiter DAC  
Adjustment***

The following steps in the procedure let you adjust the Switched Filter Limiter DAC which controls the maximum gain of the Switched Filter Shaper Amplifier. Each frequency band will be scanned for the maximum unlevelled power point before adjustment of the Limiter DAC to ensure that the Shaper Amplifier is not driven to saturation.

1. Set up the 562 Network Analyzer as follows:
  - a. Press the System Menu key.
  - b. From the System Menu display, select RESET.
  - c. Press CHANNEL 2 DISPLAY: OFF.
  - d. Press CHANNEL 1 DISPLAY: ON.
  - e. Press CHANNEL 1 MENU key.
  - f. From the Channel 1 Menu display, select POWER.
  - g. Press OFFSET/RESOLUTION.
  - h. Set Resolution to 5 dB/Div.
  - i. Adjust Offset to center the display.





**Figure 4-4.** Limiter DAC Adjustment Waveforms

2. Adjust the Switched Filter Limiter DAC for each of the frequency bands as follows:
  - a. At the **\$** prompt on the PC display, type: **calterm 145** and press <ENTER>.
  - b. On the 562 Network Analyzer, set the Resolution to 0.2 dB and adjust the offset to center the top of the triangle waveform on the display.
  - c. Observe the displayed waveform to determine whether the Shaper Amplifier is being driven to saturation. This is indicated by a dip in the top of the triangle waveform (Figure 4-4).  
If the displayed waveform indicates there is no saturation, proceed to step e. If there is a dip in the waveform, go to step d.
  - d. On the computer keyboard, use 8, 9, or 0 to decrement the value of the DAC's setting until the top of the triangle waveform starts to become rounded (Shaper Amplifier is no longer being driven to saturation). Continue decrementing until the top of the waveform is 0.3 dB below this point.
  - e. Press **Q** on the keyboard to go to the next frequency band.
  - f. Repeat steps b thru e until the DAC has been checked and adjusted for all frequency bands.
  - g. Press **Q** on the keyboard to exit the program. (The **\$** prompt will appear on the screen.)
  - h. Record step completion on the Test Record.

**Shaper DAC Adjustment**

**For Models 682XXB with Firmware Versions 1.01 to 2.37; Models 683XXB with Firmware Versions 1.01 to 2.44; Models 682X5B with Firmware Versions 1.00 to 1.26; and Models 683X5B with Firmware Versions 1.00 to 1.30.**

The following steps in the procedure lets you adjust the Switched Filter Shaper DAC which controls the gain of the Switched Filter Shaper Amplifier. Each frequency band will be scanned for the minimum unlevelled power point before adjustment of the shaper DAC.

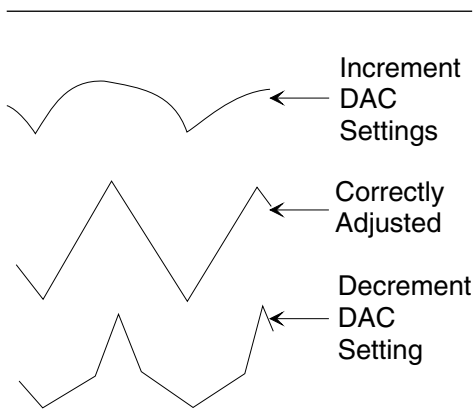
1. Set up the 562 Network Analyzer as follows:
  - a. Press the System Menu key.
  - b. From the System Menu display, select RESET.

**NOTE**  
The 10 dB attenuator between the 682XXB/683XXB RF OUTPUT connector and the RF Detector may not be required for frequencies >20 GHz.

- c. Press CHANNEL 2 DISPLAY: OFF.
  - d. Press CHANNEL 1 DISPLAY: ON.
  - e. Press CHANNEL 1 MENU key.
  - f. From the Channel 1 Menu display, select POWER.
  - g. Press OFFSET/RESOLUTION.
  - b. Set Resolution to 5 dB/Div.
  - c. Adjust Offset to center the display.
2. Adjust the Switched Filter Shaper DAC for each of the frequency bands as follows:
    - a. At the \$ prompt on the PC display, type: **calterm 138** and press <ENTER>.

**NOTE**

At the start of each frequency band, there will be a delay while the minimum unlevelled power point is determined.



**Figure 4-5.** Shaper DAC Adjustment Waveform Examples

- b. On the computer keyboard, use 1, 2, or 3 to increment and 8, 9, or 0 to decrement the value of the DAC's setting to adjust the triangle waveform being displayed on the 562 Network Analyzer (Figure 4-5) for the most linear response.
 

There will be a delay while the amplifier compression point is determined and after each key stroke as the DAC is adjusted.
- c. When the DAC has been adjusted for the current frequency band, press **Q** on the keyboard to go to the next frequency band.
- d. Repeat steps b. and c. until the DAC has been adjusted for all frequency bands.
- e. Press **Q** on the keyboard to exit the program. (The \$ prompt will appear on the screen.)
- f. Record step completion on the Test Record.

**CAUTION**

When saving calibration data, turning off the instrument before the \$ prompt returns to the screen can cause all stored data to be lost.

3. Store the calibration data in non-volatile memory (EEPROMs) on the A17 CPU PCB as follows:
  - a. Type: **calterm 787** and press <ENTER>. (The \$ prompt will appear on the screen when the data has been stored.)
  - b. Record step completion on the Test Record.

***Shaper DAC  
Adjustment***

**For Models 682XXB with Firmware Version 2.39 and above; Models 683XXB with Firmware Version 2.46 and above; Models 682X5B with Firmware Version 1.28 and above; and Models 683X5B with Firmware Version 1.32 and above.**

The following step in the procedure adjusts the Switch Filter Shaper DAC which controls the gain of the Switched Filter Shaper Amplifier. Each frequency band will be scanned for the minimum un-leveled power point before automatic adjustment of the shaper DAC.

1. At the **\$** prompt on the PC display, type: **calterm 138** and press <ENTER>. (The **\$** prompt will appear on the screen when the calibration is complete.)

**NOTE**

The calibration routine may take up to 20 minutes depending on the frequency range of the 682XXB/683XXB being calibrated.

2. Store the calibration data in non-volatile memory (EEPROMs) on the A17 CPU PCB as follows:
  - a. Type: **calterm 787** and press <ENTER>. (The **\$** prompt will appear on the screen when the data has been stored.)
  - b. Record step completion on the Test Record.

**CAUTION**

When saving calibration data, turning off the instrument before the **\$** prompt returns to the screen can cause all stored data to be lost.

**4-9 RF LEVEL CALIBRATION**

RF level calibration requires the use of an automated test system. A computer-controlled power meter measures the 682XXB/683XXB power output at many frequencies throughout the frequency range of the instrument. Correction factors are then calculated and stored in non-volatile memory (EEPROM) located on the A17 CPU PCB.

This calibration is required following replacement of either the A9 PIN Control PCB, the A10 ALC PCB, the A14 SDM, SQM Driver PCB, the Switched Filter Assembly, the 0.01 to 2 GHz Down Converter Assembly, the 0.5 to 2.2 GHz Digital Down Converter Assembly, the Switched Doubler Module (SDM), the Source Quadrupler Module (SQM), the Forward Coupler, the Directional Coupler, or the Step Attenuator.

The RF level calibration software is available from ANRITSU by ordering:

- Part number 2300-104, Version 2.0 and above, for all ≤50 GHz 682XXB/683XXB models.
- Part number 2300-209, Version 1.00 and above, for 60 GHz and 65 GHz 682XXB/683XXB models.

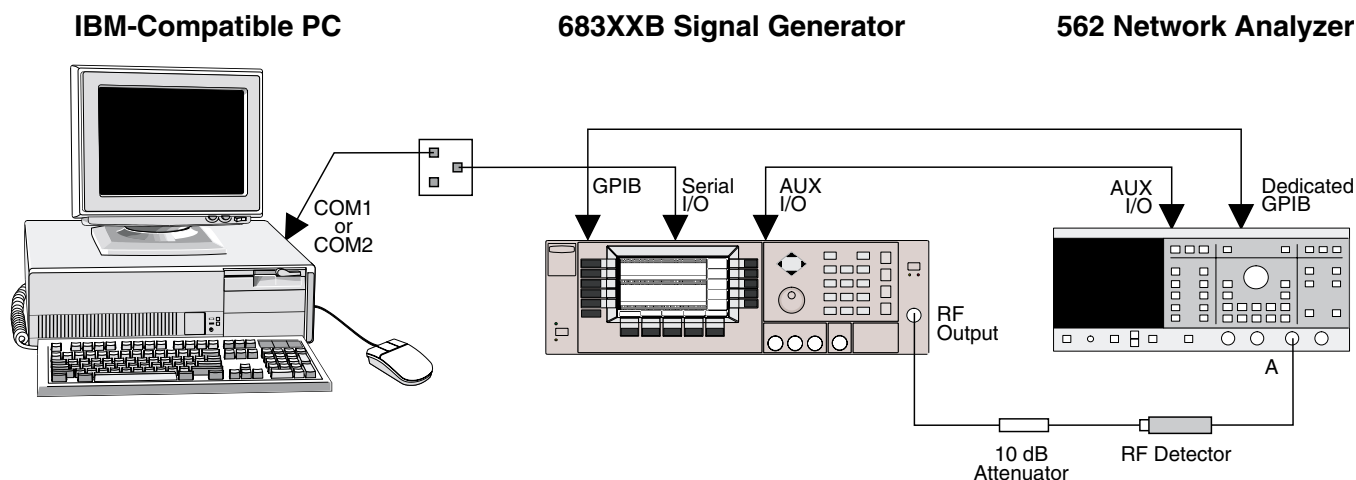
This calibration program warrants level accuracy specifications from maximum power to -70 dBm. For calibration below -70 dBm, the 682XXB/683XXB must be returned to your ANRITSU service center for calibration. The RF level calibration software comes on a 3.5-inch/1.44 Mbyte, MS-DOS formatted floppy disk.

For information concerning test equipment requirements and ordering the automated program, contact your ANRITSU service center (refer to Table 1-5 on page 1-18).

**4-10 ALC SLOPE  
CALIBRATION**

**Models 683XXB with Firmware Version 1.01 to 2.00**

This procedure provides the steps necessary to perform ALC Slope calibration. The ALC Slope DAC is calibrated to adjust for an increasing or decreasing output power-vs-output frequency in the analog sweep mode. The ALC Slope DAC has two calibrations—one for frequencies  $\leq 2$  GHz and one for frequencies  $> 2$  GHz.



**Figure 4-6.** Equipment Setup for ALC Slope Calibration

**Equipment Setup**

Connect the equipment, shown in Figure 4-6, as follows:

1. Interface the PC to the 683XXB by performing the initial setup procedure, pages 4-7 to 4-12.
2. Using the Auxiliary I/O cable, connect the 683XXB rear panel AUX I/O connector to the 562 Network Analyzer AUX I/O connector.
3. Using the GPIB cable, connect the 562 Network Analyzer DEDICATED GPIB connector to the 683XXB IEEE-488 GPIB connector.
4. Connect the RF Detector to the 562 Network Analyzer Channel A Input connector.
5. Connect the 683XXB RF OUTPUT connector to the RF Detector via a 10 dB Attenuator.

**NOTE**

Before beginning this calibration procedure, *always* let the 683XXB warm up for a minimum of one hour.

**ALC Slope  
DAC  
Adjustment**

The following procedure lets you adjust the ALC Slope DAC to compensate for decreasing output power-vs-frequency for frequencies  $\leq 2$  GHz and for frequencies  $> 2$  GHz.

1. Set up the 562 Network Analyzer as follows:
  - a. Press the System Menu key.
  - b. From the System Menu display, select RESET.
  - c. Press CHANNEL 2 DISPLAY: OFF.
  - d. Press CHANNEL 1 DISPLAY: ON.
  - e. Press CHANNEL 1 MENU key.
  - f. From the Channel 1 Menu display, select TRANSMISSION and SELECT INPUT (NON-RATIO A).

**Note**

For instruments that do not produce frequencies of  $< 2$  GHz, skip to step 6.

2. Set up the 683XXB as follows:
  - a. Reset the instrument by pressing **SYSTEM** then **Reset**. Upon reset the CW Menu is displayed.
  - b. Press **Edit L1** and set L1 to 5 dB less than maximum leveled power for the instrument being calibrated (refer to Table 3-2, page 3-6).
  - c. Press **Step**. The Step Sweep Menu is displayed.
  - d. Press **Edit F1** and set the F1 start frequency to 0.01 GHz.
  - e. Press **Edit F2** and set the F2 stop frequency to **2.1 GHz**.
  - f. Press **Sweep Ramp**. At the resulting Step Sweep Ramp Menu, press **Num of Steps** and set the number of steps to 200.
  - g. Press **Step** to return to the Step Sweep Menu display.

3. Make the following selections on the 562 Network Analyzer to normalize the step sweep.
  - a. Press CALIBRATION and follow the menu on the display.
  - b. Press AUTOSCALE.
  - c. Press OFFSET/RESOLUTION and set the Resolution to 0.2 dB.
4. On the 683XXB, press **Analog** to select the analog sweep mode.
5. Adjust the ALC Slope DAC for frequencies  $\leq 2$  GHz as follows:
  - a. At the **\$** prompt on the PC display, type: **calset** and press <ENTER>.
  - b. Type: **1** and press <ENTER>.
  - c. Select item 10 (ALC Slope Het) from the menu. Follow the instructions presented at the bottom of the screen to enter a new DAC setting value.
  - d. Enter different DAC setting values to find the setting that adjusts the slope so that the power at the start and stop frequencies match the normalized straight line in step sweep mode.
  - e. When finished, exit the program.
  - f. Type: **X** and press <ENTER> to exit the calset menu. (The **\$** prompt will appear on the screen.)
  - g. Record step completion on the Test Record.
6. Set up the 683XXB as follows:
  - a. Reset the instrument by pressing **SYSTEM** then **Reset**. Upon reset the CW Menu is displayed.
  - b. Press **Edit L1** and set L1 to 5 dB less than maximum leveled power for the instrument being calibrated (refer to Table 3-2, page 3-6).
  - c. Press **Step**. The Step Sweep Menu is displayed.
  - d. Press **Edit F1** and set the F1 start frequency to 2.0 GHz.
  - e. Press **Edit F2** and set the F2 stop frequency to upper limit of the 683XXB.

- f. Press **Sweep Ramp**. At the resulting Step Sweep Ramp Menu, press **Num of Steps** and set the number of steps to 200.
      - g. Press **Step** to return to the Step Sweep Menu display.
7. Make the following selections on the 562 Network Analyzer to normalize the step sweep.
  - a. Press CALIBRATION and follow the menu on the display.
  - b. Press AUTOSCALE.
  - c. Press OFFSET/RESOLUTION and set the Resolution to 0.2 dB.
8. On the 683XXB, press **Analog** to select the analog sweep mode.
9. Adjust the ALC Slope DAC for frequencies >2 GHz as follows:
  - a. At the **\$** prompt on the PC display, type: **calset** and press <ENTER>.
  - b. Type **1** and press <ENTER>.
  - c. Select item 11 (ALC Slope Main) from the menu. Follow the instructions presented at the bottom of the screen to enter a new DAC setting value.
  - d. Enter different DAC setting values to find the setting that adjusts the slope so that the power at the start and stop frequencies match the normalized straight line in step sweep mode.
  - e. When finished, exit the program.
  - f. Type **X** and press <ENTER> to exit the calset menu. (The **\$** prompt will appear on the screen.)
- g. Record step completion on the Test Record.
10. Store the new DAC setting values in non-volatile memory (EEPROMs) on the A17 CPU PCB as follows:
  - a. Type: **calterm 787** and press <ENTER>. (The **\$** prompt will appear on the screen when the data has been stored.)
  - b. Record step completion on the Test Record.

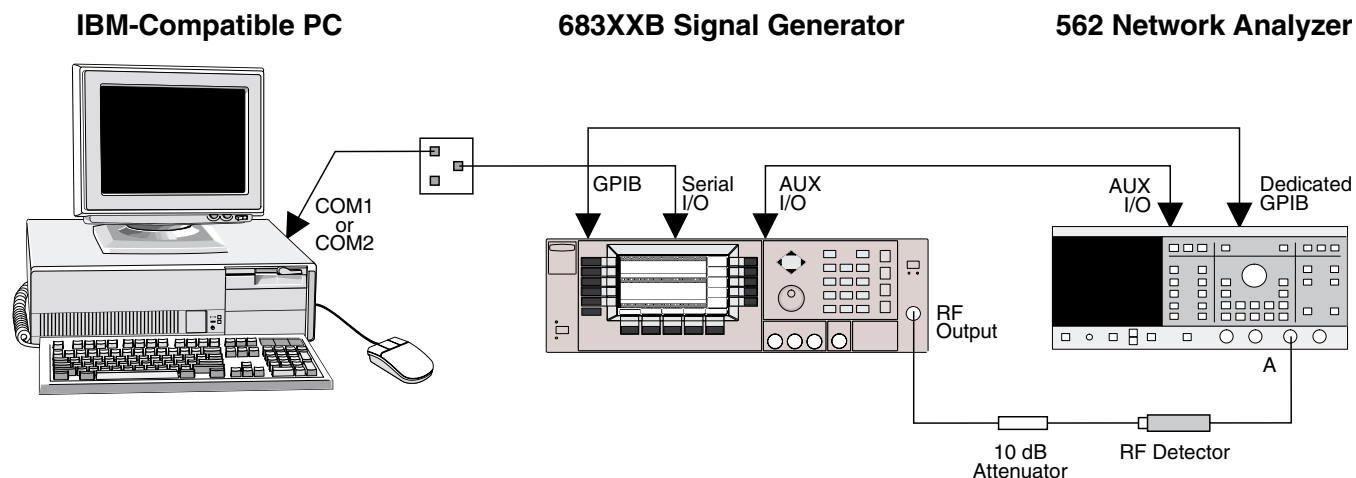
**CAUTION**

When saving calibration data, turning off the instrument before the **\$** prompt returns to the screen can cause all stored data to be lost.



**Models 683XXB with Firmware Version 2.00 and above  
(Models 683X5B with Firmware Version 1.00 and above)**

This procedure provides the steps necessary to perform ALC Slope calibration. The ALC Slope is calibrated to adjust for decreasing output power-vs-output frequency in full band analog sweep.



**Figure 4-7.** Equipment Setup for ALC Slope Calibration

**Equipment Setup**

Connect the equipment, shown in Figure 4-7, as follows:

1. Interface the PC to the 683XXB by performing the initial setup procedure, pages 4-7 to 4-12.
2. Using the Auxiliary I/O cable, connect the 683XXB rear panel AUX I/O connector to the 562 Network Analyzer AUX I/O connector.
3. Using the GPIB cable, connect the 562 Network Analyzer DEDICATED GPIB connector to the 683XXB IEEE-488 GPIB connector.
4. Connect the RF Detector to the 562 Network Analyzer Channel A Input connector.
5. Connect the 683XXB RF OUTPUT connector to the RF Detector via a 10 dB Attenuator.

**ALC Slope  
DAC  
Adjustment**
**NOTE**

For 683X5B models, the frequency ranges for Band 0 and Band 1 are 0.5 to 2.2 GHz and 2.2 to 8.4 GHz respectively.

**NOTE**

Before beginning this calibration procedure, *always* let the 682XXB/683XXB warm up for a minimum of one hour.

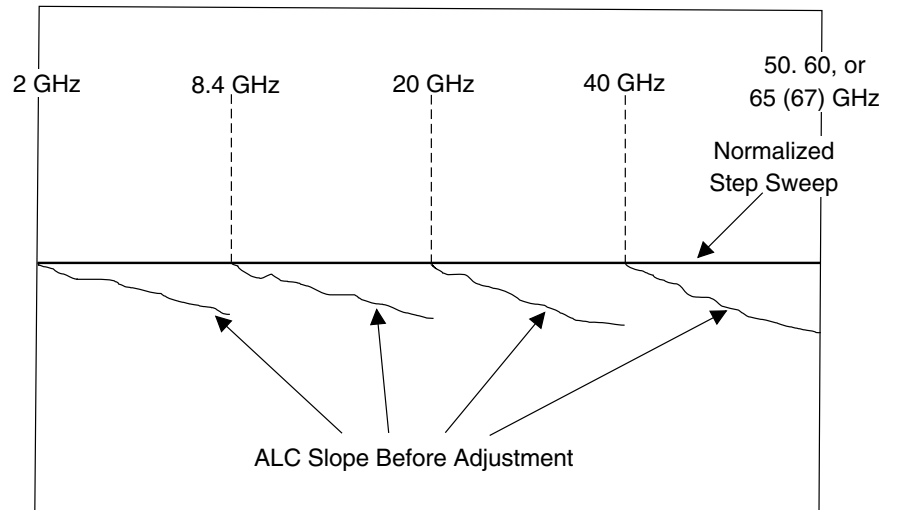
The following procedure lets you adjust the ALC Slope over individual frequency ranges to compensate for decreasing output power-vs-frequency in analog sweep.

The procedure begins by letting you adjust the ALC Slope for band 0 (0.01 to 2.0 GHz), if installed. It then continues letting you adjust the ALC Slope from 2 GHz to the top frequency of the instrument in up to four bands. The band frequency ranges are:

|        |                  |
|--------|------------------|
| Band 1 | 2.0 to 8.4 GHz   |
| Band 2 | 8.4 to 20 GHz    |
| Band 3 | 20.0 to 40.0 GHz |
| Band 4 | 40.0 to 65.0 GHz |

During band 1 thru 3/4 ALC Slope adjustment, the 562 Network Analyzer display (Figure 4-8) shows the response from 2 GHz to the top frequency of the model, as adjustment is done band by band.

1. Set up the 562 Network Analyzer as follows:
  - a. Press the System Menu key.
  - b. From the System Menu display, select RESET.
  - c. Press CHANNEL 2 DISPLAY: OFF.
  - d. Press CHANNEL 1 DISPLAY: ON.
  - e. Press CHANNEL 1 MENU key.
  - f. From the Chanel 1 Menu Display, select TRANSMISSION and SELECT INPUT (NON-RATIO A).
2. Set up the 683XXB as follows:
  - a. Reset the instrument by pressing **SYSTEM** then **Reset**. Upon reset the CW Menu is displayed.
  - b. Press **Step**. The Step Sweep Menu is displayed.
  - c. Press **FREQUENCY CONTROL**, then **Full** to select the full frequency range of the unit being calibrated.



**Figure 4-8.** ALC Slope Adjustment Waveform Display

- d. Press **CW/SWEEP SELECT** to return to the Step Sweep Menu display.
  - e. Press **Sweep Ramp**. At the resulting Step Sweep Ramp Menu, press **Num of Steps** and set the number of steps to 400.
3. Make the following selections on the 562 Network Analyzer to normalize the step sweep.
    - a. Press CALIBRATION and follow the menu on the display.
    - b. Press AUTOSCALE.
    - c. Press OFFSET/RESOLUTION and set the Resolution to 0.5 dB.
  4. On the 683XXB, press **Analog** to select the analog sweep mode.
  5. Adjust the ALC Slope as follows:
    - a. At the **\$** prompt on the PC display, type: **slpcal** and press <ENTER>. On the computer keyboard, the adjustment keys are:

|                      |               |                 |
|----------------------|---------------|-----------------|
| Slope<br>(all bands) | <b>E</b> (Up) | <b>D</b> (Down) |
|----------------------|---------------|-----------------|

|                           |               |                 |
|---------------------------|---------------|-----------------|
| Offset<br>(band 1-4 only) | <b>Q</b> (Up) | <b>A</b> (Down) |
|---------------------------|---------------|-----------------|

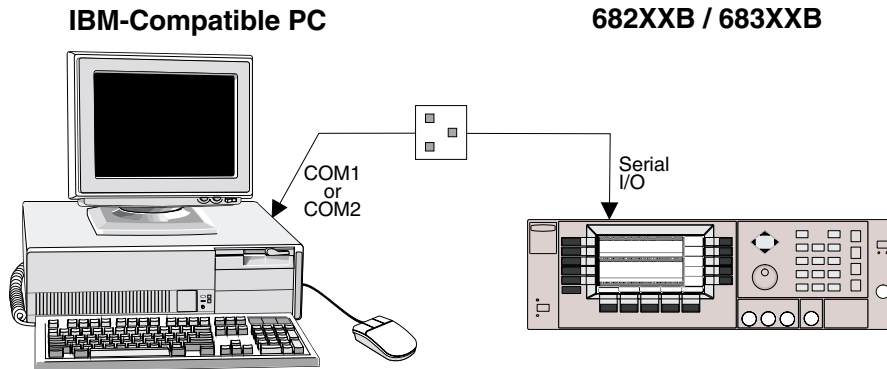
- b. Adjust the ALC Slope so that the power at the start and stop frequencies (of the analog sweep for band 0) match as closely as possible the normalized straight line in step sweep mode. When completed, press **n** for the next band.
  - c. Using the Slope and Offset adjustment keys, continue until the ALC Slope for all bands has been adjusted.
  - d. Type: **X** and press <ENTER> to exit the calibration routine. (The **\$** prompt will appear on the screen.)
  - e. Record step completion on the Test Record.
6. Store the new DACs setting values in non-volatile memory (EEPROMs) on the A17 CPU PCB as follows:
    - a. Type: **calterm 787** and press <ENTER>. (The **\$** prompt will appear on the screen when the data has been stored.)
    - b. Record step completion on the Test Record.

**CAUTION**

When saving calibration data, turning off the instrument before the **\$** prompt returns to the screen can cause all stored data to be lost.

**4-11 ALC BANDWIDTH  
CALIBRATION**

This procedure provides the steps necessary to perform ALC Bandwidth calibration. The ALC Bandwidth is adjusted to compensate for gain variations of the modulator. The adjustment is performed for each frequency band. This provides a more consistent bandwidth throughout the frequency range of the instrument.



**Figure 4-9.** Equipment Setup for AM Bandwidth Calibration

**Equipment  
Setup**

Connect the equipment, shown in Figure 4-9, as follows:

1. Interface the PC to the 682XXB/683XXB by performing the initial setup procedure, pages 4-7 to 4-12.

**NOTE**

Before beginning this calibration procedure, *always* let the 682XXB/683XXB warm up for a minimum of one hour.

**Bandwidth  
Calibration**

The following procedure lets you (1) calibrate the ALC bandwidth and (2) store the calibration data in non-volatile memory (EEPROMs) on the A17 CPU PCB.

1. Enter the ALC Bandwidth calibration routine as follows:
  - a. At the \$ prompt on the PC display, type: **calterm 110** and press <ENTER>. The following will appear on the PC display:  
**Enter calculated gain X.XX**  
**Input:**
  - b. Type: **1.50** and press <ENTER>.

The **\$** prompt will appear on the screen when the ALC Bandwidth calibration is complete. (This can take up to 15 minutes depending on the frequency range of the 682XXB/683XXB.)

b. Record step completion on the Test Record.

2. Store the calibration data as follows:

a. At the **\$** prompt, type: **calterm 787** and press <ENTER>. (The **\$** prompt will appear on the screen when the calibration data has been stored.)

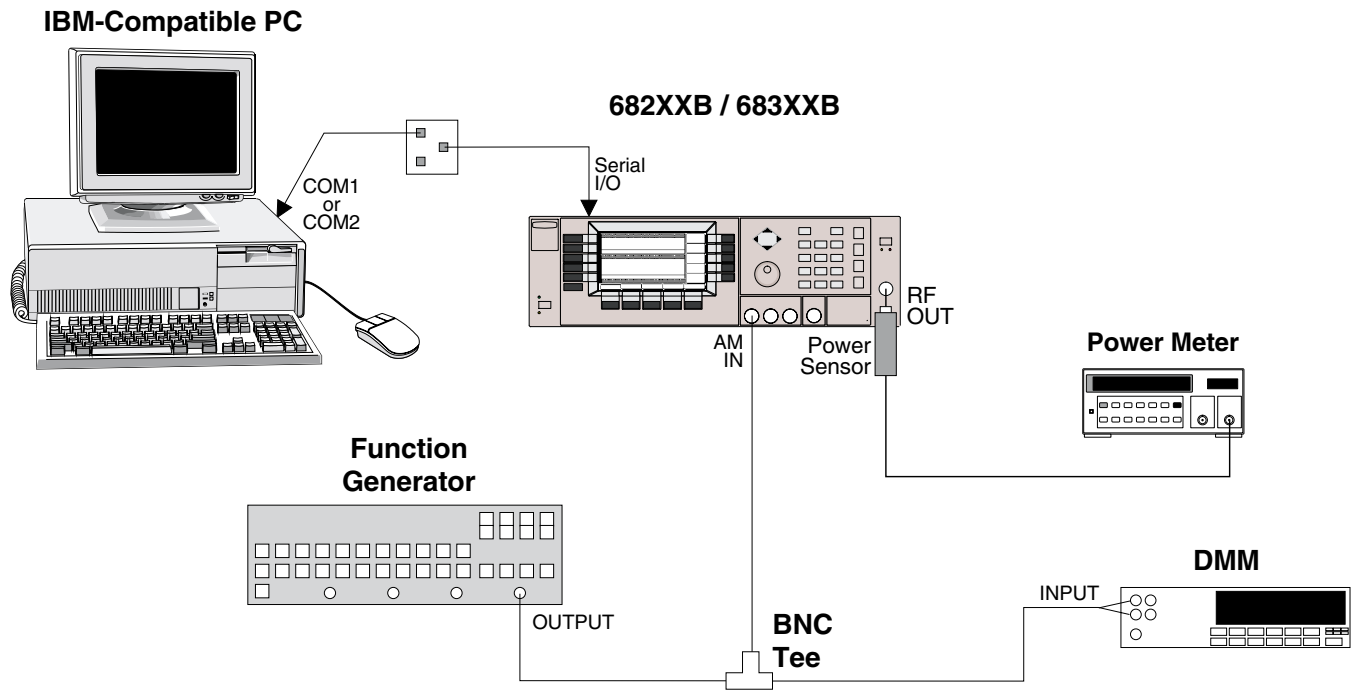
b. Record step completion on the Test Record.

**CAUTION**

When saving calibration data, turning off the instrument before the **\$** prompt returns to the screen can cause all stored data to be lost.

**4-12** AM CALIBRATION

This procedure provides the steps necessary to perform AM calibration. This consists of calibrating the AM Calibration DAC, the AM Meter circuit, and the AM Function Generator. The AM Calibration DAC is calibrated for input sensitivities of 100%/V (linear mode) and 25 dB/V (logarithmic mode) for frequencies  $\leq 2$  GHz and  $> 2$  GHz.



**Figure 4-10.** Equipment Setup for AM Calibration

**Equipment Setup**

Connect the equipment, shown in Figure 4-10, as follows:

1. Interface the PC to the 682XXB/683XXB by performing the initial setup procedure, pages 4-7 to 4-12.
2. Connect the Function Generator Output to the BNC tee. Connect one leg of the tee to the 682XXB/683XXB front panel AM IN. Connect the other leg of the tee to the DMM input.
3. Calibrate the Power Meter with the Power Sensor.

- Using the K (male) to 2.4 mm (female) adapter, connect the Power Sensor to the RF OUTPUT of the 682XXB/683XXB.

**NOTE**

Before beginning this calibration procedure, *always* let the 682XXB/683XXB warm up for a minimum of one hour.

**AM  
Calibration  
Procedure**

The following procedure let you (1) adjust the AM Calibration DAC to provide the correct amount of AM in both linear (100%/V sensitivity) and log (25 dB/V sensitivity) modes of operation for frequencies of  $\leq 2$  GHz and  $> 2$  GHz, (2) calibrate the AM Meter circuit, (3) calibrate the AM Function Generator, and (4) store the results in non-volatile memory (EEPROM) on the A17 CPU PCB.

**NOTE**

For those instruments that contain a Down Converter, the procedure for Linear AM and Log AM calibration must be performed twice—once for frequencies  $\leq 2$  GHz and once for frequencies  $> 2$  GHz. Upon initial completion of each procedure, the program will automatically return you to the start to repeat the procedure.

**NOTE**

For 682X5B/683X5B models, the procedure for Linear AM and Log AM calibration must also be performed twice—once for frequencies of  $\leq 2.2$  GHz and once for frequencies of  $> 2.2$  GHz.

- Set up the Function Generator as follows:
  - Mode: EXT
  - Signal: Square Wave
- Perform Linear AM calibration as follows:
  - At the **\$** prompt on the PC screen, type: **calterm 112** and press <ENTER>.
  - Set the function generator output to 0.00 volts. When done, press any key on the keyboard to continue calibration.
  - Now, set the function generator to output  $\pm 0.50$  volts. Use the COMPL button on the function generator to toggle the output between +0.50 volts and -0.50 volts.
  - On the computer keyboard, use 1, 2 or 3 to increment and 8, 9 and 0 to decrement the value of the DAC's setting to obtain a 9.54 dB difference in the power meter's reading when the function generator's output is toggled.



- e. When the DAC has been adjusted, press **Q** on the keyboard to exit the program. (If the instrument has a Down Converter installed, you will be returned to the start of the program to perform this calibration for frequencies of >2 GHz.)

When the DAC has been completely adjusted, the program will exit to the **\$** prompt.

- e. Record step completion on the Test Record.

3. Perform Log AM calibration as follows:

- a. At the **\$** prompt, type: **calterm 113** and press <ENTER>.
- b. Set the function generator's output  $\pm 0.20$  volts. Use the COMPL button to toggle the output between  $-0.20$  volts and  $+0.20$  volts.
- c. On the computer keyboard, use 1, 2, or 3 to increment and 8, 9, and 0 to decrement the value of the DAC's setting to obtain a 10.00 dB difference in the power meter's reading when the function generator's output is toggled.
- d. When the DAC has been adjusted, press **Q** on the keyboard to exit the program. (If the instrument has a Down Converter installed, you will be returned to the start of the program to perform this calibration for frequencies of >2 GHz.)  
When the DAC has been completely adjusted, the program will exit to the **\$** prompt.
- e. Record step completion on the Test Record.

**NOTE**

To save the calibration data after completing any calibration step, type: **calterm 787** and press <ENTER>.

4. Perform AM Meter calibration as follows:

- a. At the **\$** prompt, type: **calterm 147** and press <ENTER>.
- b. Set up the Function Generator for a 1 kHz sinewave with an output level of 0.354 volts RMS (1 volt peak to peak). When done, press any key on the keyboard to continue calibration.  
The **\$** prompt will appear on the screen when the calibration is complete.
- c. Record step completion on the Test Record.

5. Perform AM Function Generator calibration as follows:
  - a. At the **\$** prompt, type: **calterm 146** and press <ENTER>. (The **\$** prompt will appear on the screen when the calibration is complete.)
  - b. Record step completion on the Test Record.
6. Store the calibration data as follows:
  - a. At the **\$** prompt, type: **calterm 787** and press <ENTER>. (The **\$** prompt will appear on the screen when the calibration data has been stored.)
  - b. Record step completion on the Test Record.

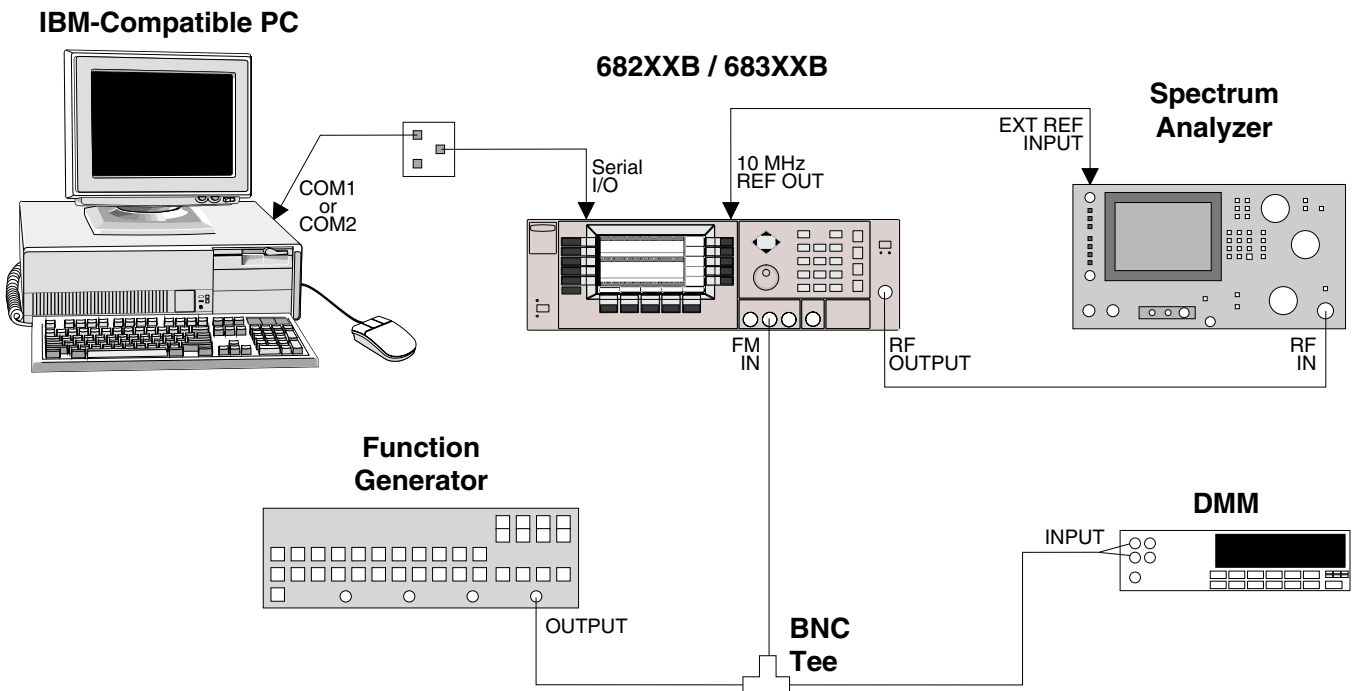
**CAUTION**

When saving calibration data, turning off the instrument before the **\$** prompt returns to the screen can cause all stored data to be lost.

**4-13** FM CALIBRATION

**Models 682XXB/683XXB with Firmware Versions 1.01 to 2.10**  
**Models 682X5B/683X5B with Firmware Version 1.00**

This procedure provides the steps necessary to perform FM calibration. This consists of calibrating the FM Meter circuit, the Offset Balance DAC, and the FM Gain Control DAC. The FM Gain Control DAC is calibrated for input sensitivities in both narrow and wide FM modes.



**Figure 4-11.** Equipment Setup for FM Calibration

**Equipment Setup**

Connect the equipment, shown in Figure 4-11, as follows:

1. Interface the PC to the 682XXB/683XXB by performing the initial setup procedure, pages 4-7 to 4-12.
2. Connect the 682XXB/683XXB rear panel 10 MHz REF OUT to the Spectrum Analyzer External Reference input.
3. Connect the Function Generator Output to the BNC tee. Connect one leg of the tee to the 682XXB/683XXB front panel FM IN. Connect the other leg of the tee to the DMM input.

4. Connect the 682XXB/683XXB RF OUTPUT to the Spectrum Analyzer RF Input.

**NOTE**

Before beginning this calibration procedure, always let the 682XXB/683XXB warm up for a minimum of one hour.

**FM  
Calibration  
Procedure**

The following steps in the procedure lets you (1) calibrate the FM Meter circuit, (2) calibrate the FM Offset Balance DAC, (3) adjust the FM Gain Control DAC in both narrow and wide modes, and (4) store the results in non-volatile memory (EEPROM) on the A17 CPU PCB.

**NOTE**

To ensure accurate calibration, each step of this procedure must be performed in sequence.

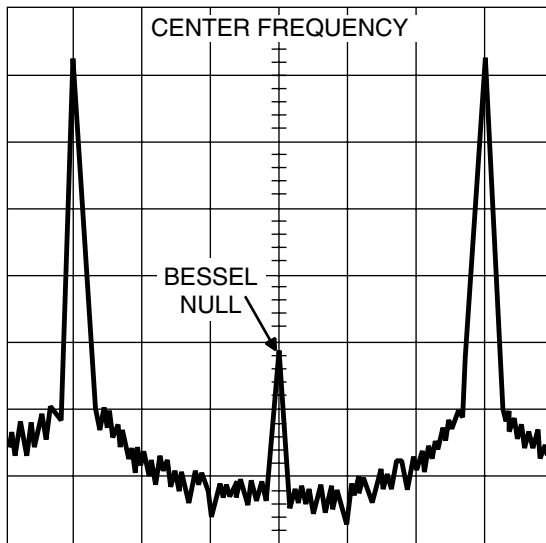
1. Perform FM Meter calibration as follows:
  - a. At the **\$** prompt on the PC screen, type: **calterm 123** and press <ENTER>.
  - b. Set up the Function Generator for a 83.3 kHz sinewave with an output level of 0.707 volts RMS (2 volts peak to peak). When done, press any key to continue calibration.  
  
The **\$** prompt will appear on the screen when the calibration is complete.
  - c. Record step completion on the Test Record.
2. Perform FM Offset Balance calibration as follows:
  - a. At the **\$** prompt on the PC screen, type: **calterm 126** and press <ENTER>. (The **\$** prompt will appear on the screen when the calibration is complete.)
  - b. Record step completion on the Test Record.
3. External FM Wide mode sensitivity calibration is accomplished by adjusting the FM Gain Control DAC to obtain 200 MHz and 20 MHz FM deviations at frequencies of 5 GHz and 15 GHz. Modulating signal inputs are from the external Function Generator.

**NOTE**

To save the calibration data after completing any calibration step, type: **calterm 787** and press <ENTER>.

Perform the calibration as follows:

- a. At the **\$** prompt, type: **calterm 124** and press <ENTER>.
- b. Set up the Function Generator for a 0.4 Hz square wave with an output level of 2 volts peak to peak.
- c. On the Spectrum Analyzer, set the Span/Div to 50 MHz per division.
- d. On the computer keyboard, use the **'**, **1**, **2**, and **3** keys to increment and the **7**, **8**, **9**, and **0** keys to decrement the value of the DAC's setting. Start calibration by pressing the **'** key.
- e. While observing the Spectrum Analyzer display, adjust the value of the DAC's setting to obtain a 200 MHz peak to peak deviation. This is the coarse adjustment.
- f. On the Spectrum Analyzer, set the Span/Div to 5 MHz per division and adjust the center frequency control to position the low carrier at the center of the display. Note the frequency reading.
- g. Now, adjust the center frequency control to position the high carrier at the center of the display. Note the frequency reading.
- h. The difference between these two frequencies is the actual peak-to-peak frequency deviation. It should be 200 MHz  $\pm$ 8 MHz. If not, fine adjust the value of the DAC's setting to obtain this deviation.
- i. When finished setting the DAC, press **Q** on the keyboard to go to the next calibration step (adjusting the DAC to obtain 20 MHz deviation).
- j. Start calibration by pressing the **1** key.
- k. While observing the Spectrum Analyzer display, adjust the value of the DAC's setting to obtain a 20 MHz peak to peak deviation. This is the coarse adjustment.
- l. On the Spectrum Analyzer, set the Span/Div to 1 MHz per division and adjust the center frequency control to position the low carrier at the center of the display. Note the frequency reading.



**Figure 4-12.** Typical Spectrum Analyzer Display of Bessel Null on FM Waveform

- m. Now, adjust the center frequency control to position the high carrier at the center of the display. Note the frequency reading.
- n. The difference between these two frequencies is the actual peak-to-peak frequency deviation. It should be 20 MHz  $\pm$  0.8 MHz. If not, fine adjust the value of the DAC's setting to obtain this deviation.
- o. When finished setting the DAC, press **Q** on the keyboard to go to the next calibration step (adjusting the DAC to obtain 200 MHz deviation at 15 GHz).  
When the DAC has been completely adjusted, the program will exit to the **\$** prompt.
- p. Record step completion on the Test Record.

4. External FM Narrow mode sensitivity calibration is accomplished by adjusting the FM Gain Control DAC to reduce the carrier level as low as possible at frequencies of 5 GHz and 15 GHz. Modulating signal inputs are from the external Function Generator.

Perform the calibration as follows:

- a. At the **\$** prompt, type: **calterm 125** and press <ENTER>.
- b. Set up the Function Generator for a 83.3 kHz sine wave with an output level of 0.707 volts RMS (2 volts peak to peak).
- c. On the Spectrum Analyzer, set the Span/Div to 50 kHz per division.
- d. On the computer keyboard, use the **,** **1**, **2**, and **3** keys to increment and the **7**, **8**, **9**, and **0** keys to decrement the value of the DAC's setting. Start calibration by pressing an increment key.
- e. While observing the first Bessel null (Figure 4-12) on the Spectrum Analyzer display, adjust the value of the DAC's setting to reduce the carrier level as low as possible.

**Note**

You may need to adjust the RBW setting on the Spectrum Analyzer in order to see the  $>$ -40 dBc null.

- f. When finished setting the DAC, press **Q** on the keyboard to go to the next calibration step.  
When the DAC has been completely adjusted, the program will exit to the **\$** prompt.
  - g. Record step completion on the Test Record.
5. Internal FM Wide mode sensitivity calibration is accomplished by adjusting the FM Gain Control DAC to obtain 200 MHz and 20 MHz FM deviations at frequencies of 5 GHz and 15 GHz. Modulating signal inputs are from the internal Function Generator.

Perform the calibration as follows:

- a. At the **\$** prompt, type: **calterm 143** and press <ENTER>.  
The screen will display the following menu:
  - 1) Toggle polarity (this lets you go from a positive deviation to negative deviation.)
  - 2) Change DAC value.
  - 3) Quit.
- b. On the Spectrum Analyzer, set the Span/Div to 50 MHz per division.
- c. On the computer keyboard, enter **2** to begin calibration.
- d. On the computer keyboard, use the **'**, **1**, **2**, and **3** keys to increment and the **7**, **8**, **9**, and **0** keys to decrement the value of the DAC's setting. Start calibration by pressing the **'** key.
- e. While observing the Spectrum Analyzer display, adjust the value of the DAC's setting to obtain a 100 MHz change in frequency.
- f. On the keyboard, press **Q** to return to the menu, then enter **1** to toggle the polarity.
- g. Measure the change in frequency on the Spectrum Analyzer. The change in frequency should be 200 MHz. If not, enter **2** and adjust the DAC.
- h. Repeat steps 5.f and 5.g as necessary to obtain a 200 MHz frequency change. When finished adjusting the DAC, press **Q** to return to the menu.
- i. On the Spectrum Analyzer, set the Span/Div to 5 MHz per division and adjust the center fre-

- quency control to position the high (or low) carrier at the center of the display. Note the frequency reading.
- j. On the keyboard, enter **1** to toggle the polarity.
  - k. Now, adjust the center frequency control to position the low (or high) carrier at the center of the display. Note the frequency reading.
  - l. The difference between these two frequencies should be 200 MHz  $\pm$ 8 MHz. If not, enter **2** and fine adjust the DAC to obtain this deviation.
  - m. When finished setting the DAC, press **Q** on the keyboard to return to the menu then enter **3** to go to the next calibration step (adjusting the DAC to obtain 20 MHz deviation).
  - n. On the keyboard, enter **2**, then press the **1** key to start calibration.
  - o. While observing the Spectrum Analyzer display, adjust the value of the DAC's setting to obtain a 10 MHz change in frequency.
  - p. On the keyboard, press **Q** to return to the menu, then enter **1** to toggle the polarity.
  - q. Measure the change in frequency on the Spectrum Analyzer. The change in frequency should be 20 MHz. If not, enter **2** and adjust the DAC.
  - r. Repeat steps 5.p and 5.q as necessary to obtain a 20 MHz frequency change. When finished adjusting the DAC, press **Q** to return to the menu.
  - s. On the Spectrum Analyzer, set the Span/Div to 1 MHz per division and adjust the center frequency control to position the high (or low) carrier at the center of the display. Note the frequency reading.
  - t. On the keyboard, enter **1** to toggle the polarity.
  - u. Now, adjust the center frequency control to position the low (or high) carrier at the center of the display. Note the frequency reading.
  - v. The difference between these two frequencies should be 20 MHz  $\pm$ 0.8 MHz. If not, enter **2** and fine adjust the DAC to obtain this deviation.



- w. When finished setting the DAC, press **Q** on the keyboard to return to the menu. Then, enter **3** to go to the next calibration step (adjusting the DAC to obtain 200 MHz deviation at 15 GHz).

When the DAC has been completely adjusted, the program will exit to the **\$** prompt.

- x. Record step completion on the Test Record.

- 6. Internal FM Narrow mode sensitivity calibration is accomplished by adjusting the FM Gain Control DAC to reduce the carrier level as low as possible at frequencies of 5 GHz and 15 GHz. Modulating signal inputs are from the internal Function Generator.

Perform the calibration as follows:

- a. At the **\$** prompt, type: **calterm 144** and press <ENTER>.
- b. On the Spectrum Analyzer, set the Span/Div to 50 kHz per division.
- c. On the computer keyboard, use the **,** **1**, **2**, and **3** keys to increment and the **7**, **8**, **9**, and **0** keys to decrement the value of the DAC's setting. Start calibration by pressing an increment key.
- d. While observing the first Bessel null (Figure 4-12, page 4-38) on the Spectrum Analyzer display, adjust the value of the DAC's setting to reduce the carrier level as low as possible.

**Note**

You may need to adjust the RBW setting on the Spectrum Analyzer in order to see the >-40 dBc nul

- e. When finished setting the DAC, press **Q** on the keyboard to go to the next calibration step.

When the DAC has been completely adjusted, the program will exit to the **\$** prompt.

- f. Record step completion on the Test Record.

- 7. Store the calibration data as follows:

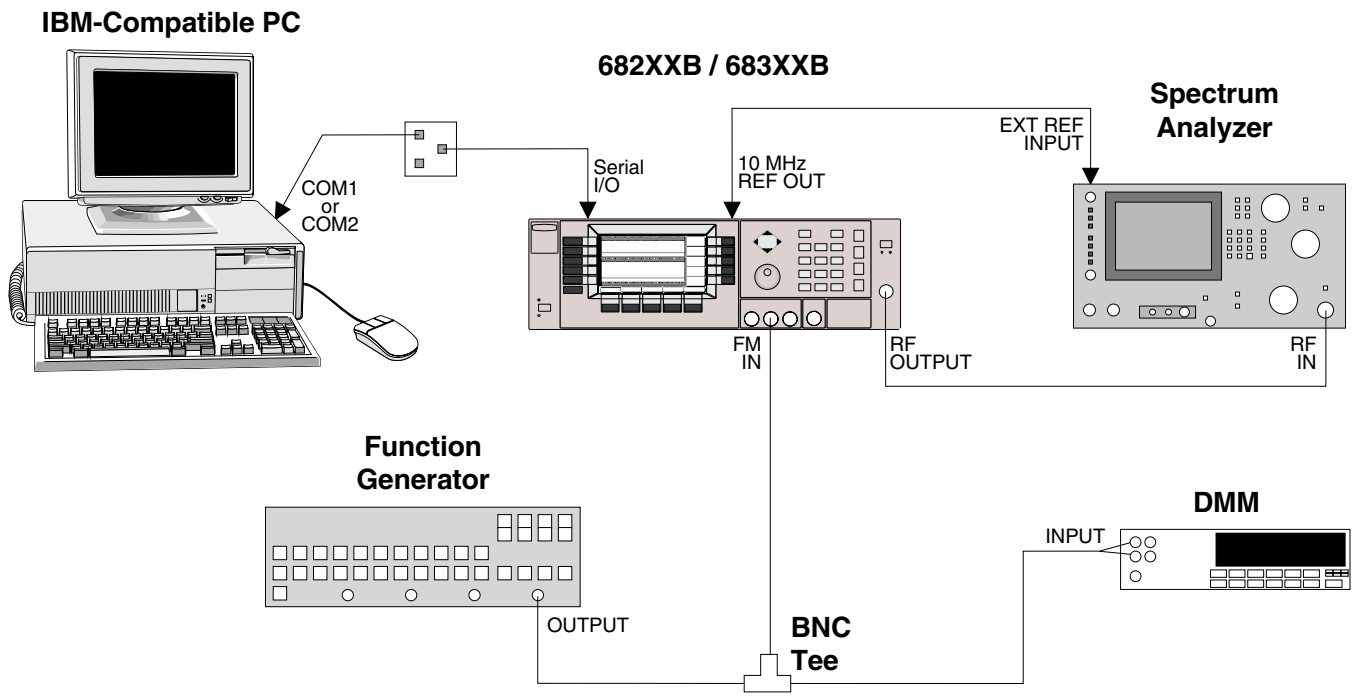
- a. At the **\$** prompt, type: **calterm 787** and press <ENTER>. (The **\$** prompt will appear on the screen when the calibration data has been stored.)

- b. Record step completion on the Test Record.

**CAUTION**

When saving calibration data, turning off the instrument before the **\$** prompt returns to the screen can cause all stored data to be lost.

**Models 682XXB with Firmware Version 2.18 and above**  
**Models 683XXB with Firmware Version 2.20 and above**  
**Models 682X5B/683X5B with Firmware Version 1.07 and above**  
 This procedure provides the steps necessary to perform FM calibration. This consists of calibrating the FM Meter circuit and the FM Variable Gain Control DAC. The FM Variable Gain Control DAC is calibrated for input sensitivities in Locked, Locked Low-Noise, Unlocked Narrow, and Unlocked Wide FM modes.



**Figure 4-13.** Equipment Setup for FM Calibration

**Equipment Setup**

Connect the equipment, shown in Figure 4-13, as follows:

1. Interface the PC to the 682XXB/683XXB by performing the initial setup procedure, pages 4-7 to 4-12.
2. Connect the 682XXB/683XXB rear panel 10 MHz REF OUT to the Spectrum Analyzer External Reference input.
3. Connect the Function Generator Output to the BNC tee. Connect one leg of the tee to the 682XXB/683XXB front panel FM IN. Connect the other leg of the tee to the DMM input.

4. Connect the 682XXB/683XXB RF OUTPUT to the Spectrum Analyzer RF Input.

**NOTE**

Before beginning this calibration procedure, always let the 682XXB/683XXB warm up for a minimum of one hour.

**FM  
Calibration  
Procedure**

The following steps in the procedure lets you calibrate the (1) FM Meter circuit; (2) FM Variable Gain Linearity; (3) Locked, Locked Low-Noise, Unlocked Narrow, and Unlocked Wide FM Mode Sensitivity; and (4) FM Rear Panel Input Gain, and store the results in non-volatile memory (EEPROM) on the A17 CPU PCB.

**NOTE**

To ensure accurate calibration, each step of this procedure must be performed in sequence.

1. Perform FM Meter calibration as follows:
  - a. At the **\$** prompt on the PC screen, type: **calterm 123** and press <ENTER>.
  - b. Set up the Function Generator for a 100.0 kHz sine wave with an output level of 0.707 volts  $\pm 0.01$  volts RMS (2 volts peak to peak). Use a frequency counter to verify the output frequency of your function generator is set to  $\pm 1\%$ . When done, press any key on the keyboard to continue calibration.  
  
The **\$** prompt will appear on the screen when the calibration is complete.
  - c. Record step completion on the Test Record.

2. Perform FM Variable Gain Linearity calibration as follows:
  - a. At the **\$** prompt on the PC screen, type: **calterm 148** and press <ENTER>.
  - b. Set up the Function Generator for a +1.00 Vdc output. When done, press any key on the keyboard to continue calibration.  
  
The **\$** prompt will appear on the screen when the calibration is complete.
  - c. Record step completion on the Test Record.

**NOTE**

To save the calibration data after completing any calibration step, type: **calterm 787** and press <ENTER>.

3. External Unlocked Wide FM Mode Sensitivity calibration is accomplished by adjusting the FM Variable Gain Control DAC to obtain a 200 MHz FM deviation at frequencies of 5 GHz and 15 GHz. The modulating signal input is from the external Function Generator.

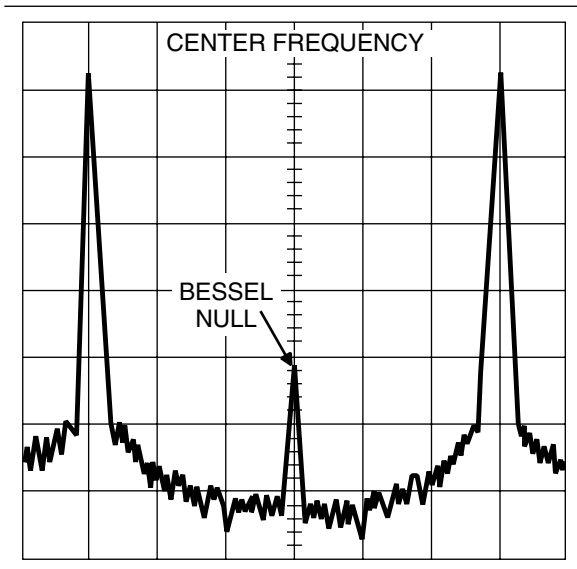
Perform the calibration as follows:

- a. At the **\$** prompt, type: **calterm 124** and press <ENTER>.
- b. Set up the Function Generator for a 0.1 Hz square wave with an output level of  $\pm 1$  volt  $\pm 0.002$  volts (2 volts peak to peak).
- c. On the Spectrum Analyzer, set the Span/Div to 50 MHz per division.
- d. On the computer keyboard, use the **'**, **1**, **2**, and **3** keys to increment and the **7**, **8**, **9**, and **0** keys to decrement the value of the DAC's setting. Start calibration by pressing the **'** key.
- e. While observing the Spectrum Analyzer display, adjust the value of the DAC's setting to obtain a 200 MHz peak to peak deviation. This is the coarse adjustment.
- f. On the Spectrum Analyzer, set the Span/Div to 5 MHz per division and adjust the center frequency control to position the low carrier at the center of the display. Note the frequency reading.
- g. Now, adjust the center frequency control to position the high carrier at the center of the display. Note the frequency reading.
- h. The difference between these two frequencies is the actual peak-to-peak frequency deviation. It should be 200 MHz  $\pm 0.5$  MHz. If not, fine adjust the value of the DAC's setting to obtain this deviation.
- i. When finished setting the DAC, press **Q** on the keyboard to go to the next calibration step (adjusting the DAC to obtain a 200 MHz deviation at 15 GHz).  
When the DAC has been completely adjusted, the program will exit to the **\$** prompt.
- j. Record step completion on the Test Record.

4. Internal Unlocked Wide FM Mode Sensitivity calibration is accomplished by adjusting the FM Variable Gain Control DAC to obtain a 200 MHz FM deviation at frequencies of 5 GHz and 15 GHz. The modulating signal input is from the internal Function Generator.

Perform the calibration as follows:

- a. At the **\$** prompt, type: **calterm 143** and press <ENTER>. The screen will display the following menu:
  - 1) Toggle polarity (this lets you go from a positive deviation to negative deviation.)
  - 2) Change DAC value.
  - 3) Quit.
- b. On the Spectrum Analyzer, set the Span/Div to 50 MHz per division.
- c. On the computer keyboard, enter **2** to begin calibration.
- d. On the computer keyboard, use the **'**, **1**, **2**, and **3** keys to increment and the **7**, **8**, **9**, and **0** keys to decrement the value of the DAC's setting. Start calibration by pressing the **'** key.
- e. While observing the Spectrum Analyzer display, adjust the value of the DAC's setting to obtain a 100 MHz change in frequency.
- f. On the keyboard, press **Q** to return to the menu, then enter **1** to toggle the polarity.
- g. Measure the change in frequency on the Spectrum Analyzer. The change in frequency should be 200 MHz. If not, enter **2** and adjust the DAC.
- h. Repeat steps 4.f and 4.g as necessary to obtain a 200 MHz frequency change. When finished adjusting the DAC, press **Q** to return to the menu.
- i. On the Spectrum Analyzer, set the Span/Div to 5 MHz per division and adjust the center frequency control to position the high (or low) carrier at the center of the display. Note the frequency reading.
- j. On the keyboard, enter **1** to toggle the polarity.



**Figure 4-14.** Typical Spectrum Analyzer Display of Bessel Null on FM Waveform

**NOTE**  
You may need to adjust the RBW setting on the Spectrum Analyzer in order to see the  $>-50$  dBc null.

- k. Now adjust the center frequency control to position the low (or high) carrier at the center of the display. Note the frequency reading.
- l. The difference between these two frequencies should be 200 MHz  $\pm$ 0.5 MHz. If not, enter **2** and fine adjust the DAC to obtain this deviation.
- m. When finished setting the DAC, press **Q** on the keyboard to return to the menu, then enter **3** to go to the next calibration step (adjusting the DAC to obtain a 200 MHz deviation at 15 GHz).

When the DAC has been completely adjusted, the program will exit to the **\$** prompt.

- n. Record step completion on the Test Record.
5. External Locked, Locked Low-Noise, and Unlocked Narrow FM Mode Sensitivity calibration is accomplished by adjusting the FM Variable Gain Control DAC to reduce the carrier level as low as possible at frequencies of 5 GHz and 20 GHz. The modulating signal is from the external Function Generator.

Perform the calibration as follows:

- a. At the **\$** prompt, type: **calterm 125** and press <ENTER>.
- b. Set up the Function Generator for a 99.8 kHz sine wave with an output level of 0.707 volts RMS (2 volts peak to peak). Use a frequency counter to verify the output frequency of your function generator is set to  $\pm 1\%$ .
- c. On the Spectrum Analyzer, set the Span/Div to 50 kHz per division.
- d. On the computer keyboard, use the **,** **1**, **2**, and **3** keys to increment and the **7**, **8**, **9**, and **0** keys to decrement the value of the DAC's setting. Start calibration by pressing an increment key.
- e. While observing the first Bessel null (Figure 4-14) on the Spectrum Analyzer display, adjust the value of the DAC's setting to reduce the carrier level as low as possible.
- f. When finished setting the DAC, press **Q** on the keyboard to go to the next calibration step.

When the DAC has been completely adjusted, the program will exit to the **\$** prompt.

g. Record step completion on the Test Record.

6. Internal Locked, Locked Low-Noise, and Unlocked Narrow FM Mode Sensitivity calibration is accomplished by adjusting the FM Variable Gain Control DAC to reduce the carrier level as low as possible at frequencies of 5 GHz and 20 GHz. The modulating signal input is from the internal Function Generator.

Perform the calibration as follows:

- a. At the **\$** prompt, type: **calterm 144** and press <ENTER>.
- b. On the Spectrum Analyzer, set the Span/Div to 50 kHz per division.
- c. On the computer keyboard, use the **,** **1**, **2**, and **3** keys to increment and the **7**, **8**, **9**, and **0** keys to decrement the value of the DAC's setting. Start calibration by pressing an increment key.
- d. While observing the first Bessel null (Figure 4-14) on the Spectrum Analyzer display, adjust the value of the DAC's setting to reduce the carrier level as low as possible.
- e. When finished setting the DAC, press **Q** on the keyboard to go to the next calibration step. When the DAC has been completely adjusted, the program will exit to the **\$** prompt.
- f. Record step completion on the Test Record.

**NOTE**

You may need to adjust the RBW setting on the Spectrum Analyzer in order to see the  $>-50$  dBc null.

7. The FM Rear Panel Input Gain is calibrated to balance the Locked and Unlocked Narrow FM Mode Sensitivity obtained when the same external modulating signal is applied to either the front panel or rear panel FM input.

Perform the calibration as follows:

- a. On the 682XXB/683XXB, disconnect the coaxial cable from the front panel FM IN connector and connect it to the rear panel FM IN connector.
- b. At the **\$** prompt, type: **calterm 154** and press <ENTER>.

**NOTE**

You may need to adjust the RBW setting on the Spectrum Analyzer in order to see the  $>-50$  dBc null.

**CAUTION**

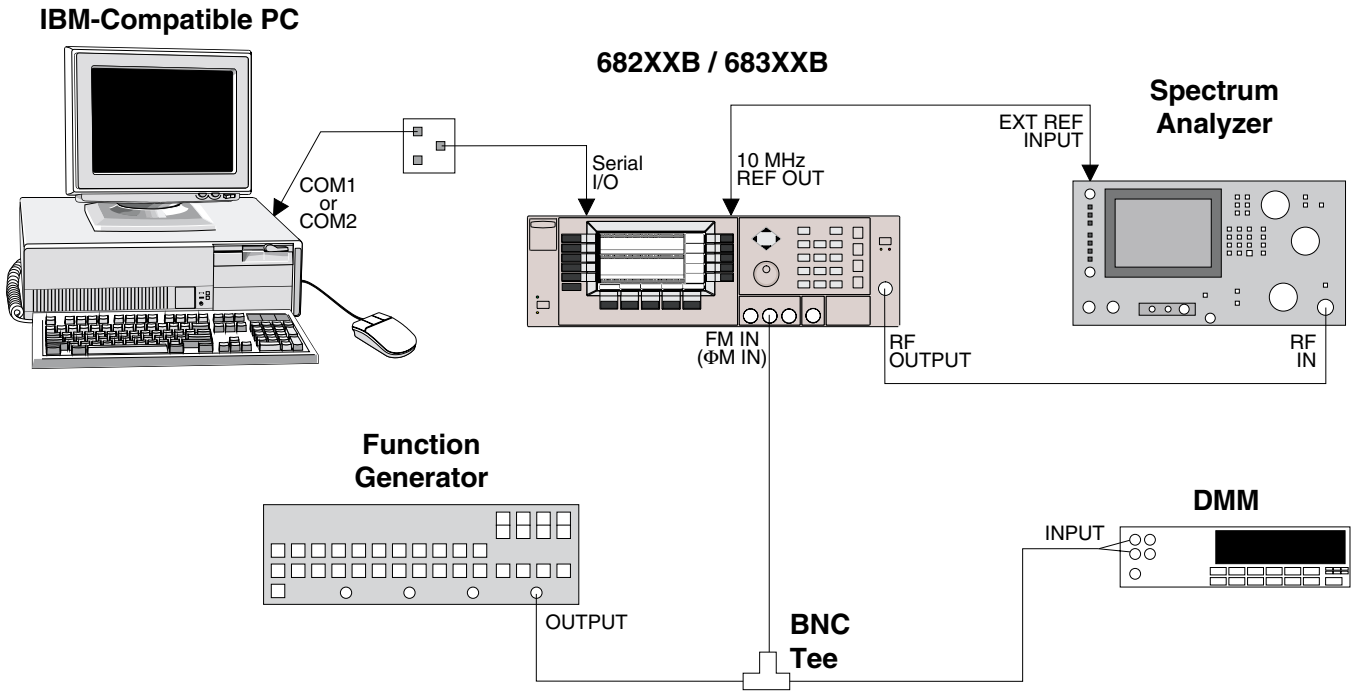
When saving calibration data, turning off the instrument before the **\$** prompt returns to the screen can cause all stored data to be lost.

- c. Set up the Function Generator for a 99.8 kHz sine wave with an output level of 0.707 volts RMS (2 volts peak to peak). Use a frequency counter to verify the output frequency of your function generator is set to  $\pm 1\%$ .
  - d. On the Spectrum Analyzer, set the Span/Div to 50 kHz per division.
  - e. On the computer keyboard, use the ' , 1, 2, and 3 keys to increment and the 7, 8, 9, and 0 keys to decrement the value of the DAC's setting. Start calibration by pressing an increment key.
  - f. While observing the first Bessel null (Figure 4-14) on the Spectrum Analyzer display, adjust the value of the DAC's setting to reduce the carrier level as low as possible.
  - g. When finished setting the DAC, press **Q** on the keyboard to exit the calibration routine.
  - h. Record step completion on the Test Record.
8. Store the calibration data as follows:
- a. At the **\$** prompt, type: **calterm 787** and press <ENTER>. (The **\$** prompt will appear on the screen when the calibration data has been stored.)
  - b. Record step completion on the Test Record.



**4-14 PHASE MODULATION  
( $\Phi$ M) CALIBRATION**

This procedure provides the steps necessary to perform phase modulation ( $\Phi$ M) calibration for 682XXB/683XXBs with Option 6. This consists of calibrating the FM Variable Gain Control DAC and the  $\Phi$ M Flatness DAC for input sensitivities in Narrow and Wide  $\Phi$ M modes.



**Figure 4-15.** Equipment Setup for  $\Phi$ M Calibration

**Equipment Setup**

Connect the equipment, shown in Figure 4-15, as follows:

1. Interface the PC to the 682XXB/683XXB by performing the initial setup procedure, pages 4-7 to 4-12.
2. Connect the 682XXB/683XXB rear panel 10 MHz REF OUT to the Spectrum Analyzer External Reference Input.
3. Connect the Function Generator Output to the BNC tee. Connect one leg of the tee to the 682XXB/683XXB front panel FM IN ( $\Phi$ M IN). Connect the other leg of the tee to the DMM input.

4. Connect the 682XXB/683XXB RF OUTPUT to the Spectrum Analyzer RF Input.

**NOTE**

Before beginning this calibration procedure, always let the 682XXB/683XXB warm up for a minimum of one hour.

**$\Phi M$   
Calibration  
Procedure**

The following steps in the procedure lets you calibrate the FM Variable Gain Control DAC and the  $\Phi M$  Flatness DAC in both Wide and Narrow  $\Phi M$  modes and store the results in non-volatile memory (EEPROM) on the A17 CPU PCB.

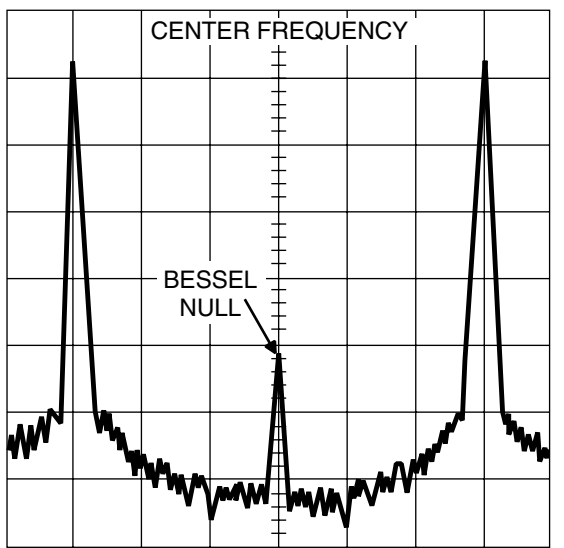
**NOTE**

To ensure accurate calibration, each step of this procedure must be performed in sequence.

1. External Wide FM Mode Sensitivity calibration is accomplished by adjusting the FM Variable Gain Control DAC to reduce the carrier level as low as possible at frequencies of 5 GHz and 20 GHz. The modulating signal input is from the external Function Generator.

Perform the calibration as follows:

- a. At the \$ prompt, type: **calterm 149** and press <ENTER>.
- b. Set up the Function Generator for a 99.8 kHz sine wave with an output level of 0.707 volts RMS (2 volts peak to peak). Use a frequency counter to verify the output frequency of your function generator is set to  $\pm 1\%$ .
- c. On the Spectrum Analyzer, set the Span/Div to 50 kHz per division.
- d. On the computer keyboard, use the ', 1, 2, and 3 keys to increment and the 7, 8, 9, and 0 keys to decrement the value of the DAC's setting. Start calibration by pressing an increment key.
- e. While observing the first Bessel null (Figure 4-16) on the Spectrum Analyzer display, adjust the value of the DAC's setting to reduce the carrier level as low as possible.
- f. When finished setting the DAC, press **Q** on the keyboard to go to the next calibration step.



**Figure 4-16.** Typical Spectrum Analyzer Display of Bessel Null on  $\Phi M$  Waveform

**NOTE**

You may need to adjust the RBW setting on the Spectrum Analyzer in order to see the  $>-40$  dBc null.

**NOTE**

To save the calibration data after completing any calibration step, type: **calterm 787** and press <ENTER>.

**NOTE**

You may need to adjust the RBW setting on the Spectrum Analyzer in order to see the  $>-40$  dBc null.

When the DAC has been completely adjusted, the program will exit to the **\$** prompt.

g. Record step completion on the Test Record.

2. Internal Wide  $\Phi$ M Mode Sensitivity calibration is accomplished by adjusting the FM Variable Gain Control DAC to reduce the carrier level as low as possible at frequencies of 5 GHz and 20 GHz. The modulating signal input is from the internal Function Generator.

Perform the calibration as follows:

- a. At the **\$** prompt, type: **calterm 151** and press <ENTER>.
- b. On the Spectrum Analyzer, set the Span/Div to 50 kHz per division.
- c. On the computer keyboard, use the **,** **1**, **2**, and **3** keys to increment and the **7**, **8**, **9**, and **0** keys to decrement the value of the DAC's setting. Start calibration by pressing an increment key.
- d. While observing the first Bessel null (Figure 4-16) on the Spectrum Analyzer display, adjust the value of the DAC's setting to reduce the carrier level as low as possible.
- e. When finished setting the DAC, press **Q** on the keyboard to go to the next calibration step. When the DAC has been completely adjusted, the program will exit to the **\$** prompt.
- f. Record step completion on the Test Record.

3. Wide  $\Phi$ M Mode Flatness calibration is accomplished by adjusting the  $\Phi$ M Flatness DAC to reduce the carrier level as low as possible for sensitivity settings of 2.4 Rad/V and 14.9 Rad/V at 5 GHz. The modulating signal input is from the external Function Generator.

Perform the calibration as follows:

- a. At the **\$** prompt, type: **calterm 155** and press <ENTER>.
- b. Set up the Function Generator for a 400 Hz sine wave with an output level of 0.707 volts RMS (2 volts peak to peak). Use a frequency counter to verify the output frequency of your function generator is set to  $\pm 1\%$ .

**NOTE**

You may need to adjust the RBW setting on the Spectrum Analyzer in order to see the  $>-40$  dBc null.

- c. On the Spectrum Analyzer, set the Span/Div to 50 kHz per division.
  - d. On the computer keyboard, use the ', 1, 2, and 3 keys to increment and the 7, 8, 9, and 0 keys to decrement the value of the DAC's setting. Start calibration by pressing an increment key.
  - e. While observing the first Bessel null (Figure 4-16) on the Spectrum Analyzer display, adjust the value of the DAC's setting to reduce the carrier level as low as possible.
  - f. When finished setting the DAC, press **Q** on the keyboard to go to the next calibration step. When the DAC has been completely adjusted, the program will exit to the **\$** prompt.
  - g. Record step completion on the Test Record.
4. External Narrow  $\Phi$ M Mode Sensitivity calibration is accomplished by adjusting the FM Variable Gain Control DAC to reduce the carrier level as low as possible at frequencies of 5 GHz and 20 GHz. The modulating signal input is from the external Function Generator.

Perform the calibration as follows:

- a. At the **\$** prompt, type: **calterm 150** and press <ENTER>.
- b. Set up the Function Generator for a 99.8 kHz sine wave with an output level of 0.707 volts RMS (2 volts peak to peak). Use a frequency counter to verify the output frequency of your function generator is set to  $\pm 1\%$ .
- c. On the Spectrum Analyzer, set the Span/Div to 50 kHz per division.
- d. On the computer keyboard, use the ', 1, 2, and 3 keys to increment and the 7, 8, 9, and 0 keys to decrement the value of the DAC's setting. Start calibration by pressing an increment key.
- e. While observing the first Bessel null (Figure 4-16) on the Spectrum Analyzer display, adjust the value of the DAC's setting to reduce the carrier level as low as possible.
- f. When finished setting the DAC, press **Q** on the keyboard to go to the next calibration step.

**NOTE**

You may need to adjust the RBW setting on the Spectrum Analyzer in order to see the  $>-50$  dBc null.

When the DAC has been completely adjusted, the program will exit to the \$ prompt.

g. Record step completion on the Test Record.

5. Internal Narrow  $\Phi$ M Mode Sensitivity calibration is accomplished by adjusting the FM Variable Gain Control DAC to reduce the carrier level as low as possible at frequencies of 5 GHz and 20 GHz. The modulating signal input is from the internal Function Generator.

Perform the calibration as follows:

- a. At the \$ prompt, type: **calterm 152** and press <ENTER>.
- b. On the Spectrum Analyzer, set the Span/Div to 50 kHz per division.
- c. On the computer keyboard, use the ', 1, 2, and 3 keys to increment and the 7, 8, 9, and 0 keys to decrement the value of the DAC's setting. Start calibration by pressing an increment key.
- d. While observing the first Bessel null (Figure 4-16) on the Spectrum Analyzer display, adjust the value of the DAC's setting to reduce the carrier level as low as possible.
- e. When finished setting the DAC, press **Q** on the keyboard to go to the next calibration step.  
When the DAC has been completely adjusted, the program will exit to the \$ prompt.
- f. Record step completion on the Test Record.

**NOTE**

You may need to adjust the RBW setting on the Spectrum Analyzer in order to see the  $>-50$  dBc null.

6. Narrow  $\Phi$ M Mode Flatness calibration is accomplished by adjusting the  $\Phi$ M Flatness DAC to reduce the carrier level as low as possible for a sensitivity setting of 2.4 Rad/V at 5 GHz. The modulating signal input is from the external Function Generator.

Perform the calibration as follows:

- a. At the \$ prompt, type: **calterm 156** and press <ENTER>.
- b. Set up the Function Generator for a 400 Hz sine wave with an output level of 0.707 volts RMS (2 volts peak to peak). Use a frequency counter to verify the output of your function generator is set to  $\pm 1\%$ .

**NOTE**

You may need to adjust the RBW setting on the Spectrum Analyzer in order to see the  $>-40$  dBc null.

**CAUTION**

When saving calibration data, turning off the instrument before the \$ prompt returns to the screen can cause all stored data to be lost.

- c. On the Spectrum Analyzer, set the Span/Div of 50 kHz per division.
  - d. On the computer keyboard, use the ', 1, 2, and 3 keys to increment and the 7, 8, 9, and 0 keys to decrement the value of the DAC's setting. Start the calibration by pressing an increment key.
  - e. While observing the first Bessel null (Figure 4-16) on the Spectrum Analyzer display, adjust the value of the DAC's setting to reduce the carrier level as low as possible.
  - f. When finished setting the DAC, press **Q** on the keyboard.  
The program will exit to the \$ prompt.
  - g. Record step completion on the Test Record.
7. Store the calibration data as follows:
- a. At the \$ prompt, type: **calterm 787** and press <ENTER>. (The \$ prompt will appear on the screen when the calibration data has been stored.)
  - b. Record step completion on the Test Record.

# **Chapter 5**

## **Troubleshooting**

### ***Table of Contents***

---

|     |   |      |
|-----|---|------|
| 5-1 | INTRODUCTION . . . . .  | 5-3  |
| 5-2 | RECOMMENDED TEST EQUIPMENT . . . . .                            | 5-3  |
| 5-3 | ERROR AND WARNING/STATUS MESSAGES. . .                          | 5-3  |
|     | Self-Test Error Messages. . . . .                               | 5-3  |
|     | Normal Operation Error and Warning/Status<br>Messages . . . . . | 5-7  |
| 5-4 | MALFUNCTIONS NOT DISPLAYING AN ERROR<br>MESSAGE . . . . .       | 5-10 |
| 5-5 | TROUBLESHOOTING TABLES . . . . .                                | 5-10 |

The majority of the troubleshooting procedures presented in this chapter require the removal of the instrument covers to gain access to test points on printed circuit boards and other subassemblies.

**WARNING**

Hazardous voltages are present inside the 682XXB/683XXB whenever ac line power is connected. Turn off the instrument and remove the line cord before removing any covers or panels. Troubleshooting or repair procedures should only be performed by service personnel who are fully aware of the potential hazards.

**CAUTION**

Many subassemblies in the signal generator contain static-sensitive components. Improper handling of these subassemblies may result in damage to the components. ***Always*** observe the static-sensitive component handling precautions described in Chapter 1, Figure 1-3.



# Chapter 5

## Troubleshooting

### 5-1 INTRODUCTION

This chapter provides information for troubleshooting signal generator malfunctions. The troubleshooting procedures presented in this chapter support fault isolation to a replaceable subassembly or RF component. (Remove and replace procedures for the subassemblies and RF components are found in Chapter 6.)

### 5-2 RECOMMENDED TEST EQUIPMENT

The recommended test equipment for the troubleshooting procedures presented in this chapter is listed in Chapter 1, Table 1-2 (page 1-12).

### 5-3 ERROR AND WARNING/STATUS MESSAGES

During normal operation, the 682XXB/683XXB generates error messages to indicate internal malfunctions, abnormal instrument operations, or invalid signal inputs or data entries. It also displays warning messages to alert the operator to conditions that could result in inaccurate signal generator output. In addition, status messages are displayed to remind the operator of current menu selections or settings.

#### ***Self-Test Error Messages***

The 682XXB/683XXB firmware includes internal diagnostics that self-test the instrument. These self-test diagnostics perform a brief go/no-go test of most of the instrument PCBs and other internal assemblies.

You can perform an instrument self-test at any time during normal operation by pressing **SYSTEM** and then the System Menu soft-key **Selftest**.

If the signal generator fails self-test, an error message(s) is displayed on the front panel data display. These error messages describe the malfunction and, in most cases, provide an indication of what has failed. Table 5-1 is a summary listing of the self-test error messages. Included for each is a reference to the troubleshooting table that provides a description of the probable cause(s) and a procedure for identifying the failed component or assembly.

**Table 5-1.** *Self-Test Error Messages (1 of 3)*

| <b>Error Message</b>   | <b>Troubleshooting Table</b> | <b>Page Number</b> |
|--|------------------------------|--------------------|
| Error 100<br>DVM Ground Offset Failed  | 5-5                          | 5-18               |
| Error 101<br>DVM Positive 10V Reference  | 5-5                          | 5-18               |
| Error 102<br>DVM Negative 10V Reference  | 5-5                          | 5-18               |
| Error 105<br>Power Supply Voltage(s) out of Regulation   | 5-6                          | 5-19               |
| Error 106<br>Power Supply not Locked   | 5-6                          | 5-28               |
| Error 107<br>Sweep Time Check Failed   | 5-16                         | 5-36               |
| Error 108<br>Crystal Oven Cold   | 5-8                          | 5-29               |
| Error 109<br>The 100MHz Reference is not Locked to the External Reference                      | 5-8                          | 5-29               |
| Error 110<br>The 100MHz Reference is not Locked to the High Stability 10MHz Crystal Oscillator | 5-8                          | 5-30               |
| Error 111<br>Fine Loop Osc Failed  | 5-9                          | 5-30               |
| Error 112<br>Coarse Loop Osc Failed  | 5-11                         | 5-32               |
| Error 113<br>Yig Loop Osc Failed   | 5-13                         | 5-33               |
| Error 114<br>Down Converter LO not Locked  | 5-14                         | 5-34               |
| Error 115<br>Not Locked Indicator Failed   | 5-13                         | 5-33               |
| Error 116<br>FM Loop Gain Check Failed   | 5-15                         | 5-35               |
| Error 117<br>Linearizer Check Failed   | 5-16                         | 5-36               |
| Error 118<br>Switchpoint DAC Failed  | 5-16                         | 5-36               |
| Error 119<br>Center Frequency Circuits Failed  | 5-16                         | 5-36               |

**Table 5-1.** *Self-Test Error Messages (2 of 3)*

| <b>Error Message</b>                                     | <b>Troubleshooting Table</b> | <b>Page Number</b> |
|--|------------------------------|--------------------|
| Error 120<br>Delta-F Circuits Failed                     | 5-16                         | 5-36               |
| Error 121<br>Unleveled Indicator Failed                  | 5-17                         | 5-37               |
| Error 122<br>Level Reference Failed                      | 5-17                         | 5-37               |
| Error 123<br>Detector Log Amp Failed                     | 5-17                         | 5-37               |
| Error 124<br>Full Band Unlocked and<br>Unleveled         | 5-18                         | 5-39               |
| Error 125<br>8.4 – 20 GHz Unlocked and<br>Unleveled      | 5-18                         | 5-39               |
| Error 126<br>2 – 8.4 GHz Unlocked and<br>Unleveled       | 5-18                         | 5-39               |
| Error 127<br>Detector Input Circuit<br>Failed            | 5-17                         | 5-37               |
| Error 128<br>.01 – 2 GHz Unleveled                       | 5-20                         | 5-41               |
| Error 129<br>Switched Filter or Level<br>Detector Failed | 5-20                         | 5-44               |
| Error 130<br>2 – 3.3 GH Switched Filter                  | 5-20                         | 5-47               |
| Error 131<br>3.3 – 5.5 GH Switched Filter                | 5-20                         | 5-47               |
| Error 132<br>5.5 – 8.4 GH Switched Filter                | 5-20                         | 5-47               |
| Error 133<br>8.4 – 13.25 GH Switched Filter              | 5-20                         | 5-47               |
| Error 134<br>13.25 – 20 GH Switched Filter               | 5-20                         | 5-47               |
| Error 135<br>Modulator or Driver Failed                  | 5-20                         | 5-48               |
| Error 142<br>Sample and Hold Circuit<br>Failed           | 5-17                         | 5-37               |
| Error 143<br>Slope DAC Failed                            | 5-17                         | 5-38               |

**Table 5-1.** *Self-Test Error Messages (3 of 3)*

| <b>Error Message</b>  | <b>Troubleshooting Table</b> | <b>Page Number</b> |
|---|------------------------------|--------------------|
| Error 144<br>RF was Off when Selftest started. Some tests were not performed. | 5-24                         | 5-51               |
| Error 145<br>AM meter or associated circuitry failed                          | 5-25                         | 5-51               |
| Error 147<br>Internal FM circuitry failed                                     | 5-26                         | 5-52               |
| Error 148<br>Pulse 40 MHz reference circuitry failed                          | 5-27                         | 5-52               |
| <b>682XXB/683XXB Models with SDM</b>  |                              |                    |
| Error 138<br>SDM Unit or Driver Failed  | 5-22                         | 5-49               |
| Error 139<br>32 – 40 GHz SDM Section Failed                                   | 5-22                         | 5-50               |
| Error 140<br>25 – 32 GHz SDM Section Failed                                   | 5-22                         | 5-50               |
| Error 141<br>20 – 25 GHz SDM Section Failed                                   | 5-22                         | 5-50               |

**Normal  
Operation  
Error and  
Warning/  
Status  
Messages**

When an abnormal condition is detected during operation, the 682XXB/683XXB displays an error message to indicate that the output is abnormal or that a signal input or data entry is invalid. It also displays warning messages to alert the operator to conditions that could cause an inaccurate signal generator output. Status messages to remind the operator of current menu selections or settings are also generated.

Table 5-2 is a summary list of possible error messages that can be displayed during normal operations. Table 5-3 is a summary list of possible warning/status messages.

**Table 5-2.** Possible Error Messages during Normal Operations (1 of 2)

| Error Message     | Description   |
|-------------------|---|
| <b>ERROR</b>      | Displayed (on the frequency mode title bar) when (1) the output frequency is not phase-locked, (2) an invalid frequency parameter entry causes a frequency range error, or (3) an invalid pulse parameter entry causes a pulse modulation error.  |
| <b>LOCK ERROR</b> | Displayed (in the frequency parameters area) when the output frequency is not phase-locked. The frequency accuracy and stability of the RF output is greatly reduced. Normally caused by an internal component failure. Run self-test to verify malfunction.  |
| <b>RANGE</b>      | Displayed (in the frequency parameters area) when (1) the analog sweep start frequency entered is greater than the stop frequency (683XXB models only), (2) the dF value entered results in a sweep outside the range of the instrument, (3) the step size value entered is greater than the sweep range, or (4) the number of steps entered results in a step size of less than 1 kHz (0.1 Hz with Option 11) or 0.1 dB. Entering valid values usually clears the error. |
| <b>SLAVE</b>      | Displayed (in the frequency parameters area of the Master 68XXXB) during master-slave operation in VNA mode when the slave frequency offset value entered results in a CW frequency or frequency sweep outside the range of the slave 68XXXB. Entering a valid offset value clears the error.   |
| <b>ERR</b>        | Displayed (in the modulation status area) when one or more of the following error conditions occurs:<br>(1) The external AM modulating signal exceeds the input voltage range. In addition, the message " <b>Reduce AM Input Level</b> " appears at the bottom of the AM status display. (Continued on next page)   |

**Table 5-2.** Possible Error Messages during Normal Operations (2 of 2)

| Error Message | Description   |
|---------------|---|
| <b>ERR</b>    | <p><i>Continued:</i></p> <p>(2) The external FM modulating signal exceeds the input voltage range. In addition, the message “<b>Reduce FM Input Level</b>” appears at the bottom of the FM status display.</p> <p>(3) A pulse parameter setting is invalid for the current pulse modulation state, as follows:</p> <p><b>Single Pulse Mode:</b><br/>           Free Run or Gated Trigger:<br/> <math>Width1 &gt; PRI</math><br/>           Delayed Trigger:<br/> <math>Delay1 + Width1 &gt; PRI</math></p> <p><b>Doublet Pulse Mode:</b><br/>           Free Run Trigger:<br/> <math>Width1 &gt; Delay2</math> or<br/> <math>Width1 + (Delay2 - Width1) + Width2 &gt; PRI</math><br/>           Delayed Trigger:<br/> <math>Width1 &gt; Delay2</math> or<br/> <math>Delay1 + Width1 + (Delay2 - Width1) + Width2 &gt; PRI</math><br/>           External Trigger with or without Delay:<br/> <math>Width1 &gt; Delay2</math></p> <p><b>Triplet Pulse Mode:</b><br/>           Free Run Trigger:<br/> <math>Width1 &gt; Delay2</math> or <math>Width2 &gt; Delay3</math> or<br/> <math>Width1 + (Delay2 - Width1) + Width2 + (Delay3 - Width2) + Width3 &gt; PRI</math><br/>           Delayed Trigger:<br/> <math>Width1 &gt; Delay2</math> or <math>Width2 &gt; Delay3</math> or<br/> <math>Delay1 + Width1 + (Delay2 - Width1) + Width2 + (Delay3 - Width2) + Width3 &gt; PRI</math><br/>           External Trigger with or without Delay:<br/> <math>Width1 &gt; Delay2</math> or <math>Width2 &gt; Delay3</math></p> <p><b>Quadruplet Pulse Mode:</b><br/>           Free Run Trigger:<br/> <math>Width1 &gt; Delay2</math> or <math>Width2 &gt; Delay3</math> or<br/> <math>Width3 &gt; Delay4</math> or<br/> <math>Width1 + (Delay2 - Width1) + Width2 + (Delay3 - Width2) + Width3 + (Delay4 - Width3) + Width4 &gt; PRI</math><br/>           Delayed Trigger:<br/> <math>Width1 &gt; Delay2</math> or <math>Width2 &gt; Delay3</math> or<br/> <math>Width3 &gt; Delay4</math> or<br/> <math>Delay1 + Width1 + (Delay2 - Width1) + Width2 + (Delay3 - Width2) + Width3 + (Delay4 - Width3) + Width4 &gt; PRI</math><br/>           External Trigger with or without Delay:<br/> <math>Width1 &gt; Delay2</math> or <math>Width2 &gt; Delay3</math> or<br/> <math>Width3 &gt; Delay4</math></p> |

**Table 5-3.** Possible Warning/Status Messages during Normal Operation

| Warning/Status Message | Description   |
|------------------------|---|
| <b>OVN COLD</b>        | This warning message indicates that the 100 MHz Crystal oven (or the 10 MHz Crystal oven if Option 16 is installed) has not reached operating temperature. Normally displayed during a cold start of the signal generator. If the message is displayed during normal operation, it could indicate a malfunction. Run self-test to verify.   |
| <b>UNLEVELED</b>       | Displayed when the RF output goes unlevelled. Normally caused by exceeding the specified leveled-power rating. Reducing the power level usually clears the warning message. If the warning message is displayed only when AM is selected ON, the modulating signal may be driving the RF output unlevelled. Reducing the modulating signal or adjusting the power level usually clears the warning. |
| <b>UNLOCKED</b>        | When Unlocked/Narrow FM or Unlocked/Wide FM is selected ON, this warning message appears indicating that the instrument is not phase-locked during this FM mode of operation.   |
| <b>Reduce Rate</b>     | This warning message is displayed when the AM Rate or FM Rate is set >100 kHz for a non-sinewave modulating waveform. Amplitude or frequency modulation of the output signal will continue but the modulating waveform may be distorted.  |
| <b>EXT REF</b>         | This status message indicates that an external 10 MHz signal is being used as the reference signal for the 682XXB/683XXB.   |
| <b>OFFSET</b>          | This status message indicates that a constant (offset) has been applied to the displayed power level.   |
| <b>SLOPE</b>           | This status message indicates that a power slope correction has been applied to the ALC.  |
| <b>USER 1...5</b>      | This status message indicates that a user level flatness correction power-offset table has been applied to the ALC.   |
| <b>SS MODE</b>         | This status message indicates that the 682XXB/683XXB has been placed in a source lock mode for operation with a 360B Vector Network Analyzer.   |

**5-4 MALFUNCTIONS NOT  
DISPLAYING AN ERROR  
MESSAGE**

The 682XXB/683XXB must be operating to run self-test. Therefore, malfunctions that cause the instrument to be non-operational do not produce error messages. These problems generally are a failure of the 682XXB/683XXB to power up properly. Table 5-4, beginning on page 5-12, provides troubleshooting procedures for these malfunctions.

Malfunctions related to pulse modulating the RF output do not produce error messages. In those 682XXB/683XXB models that produce RF outputs of >40 GHz, malfunctions related to quadrupling the source signal do not generate error messages. Troubleshooting procedures for these malfunctions are included in Table 5-4.

**5-5 TROUBLESHOOTING  
TABLES**

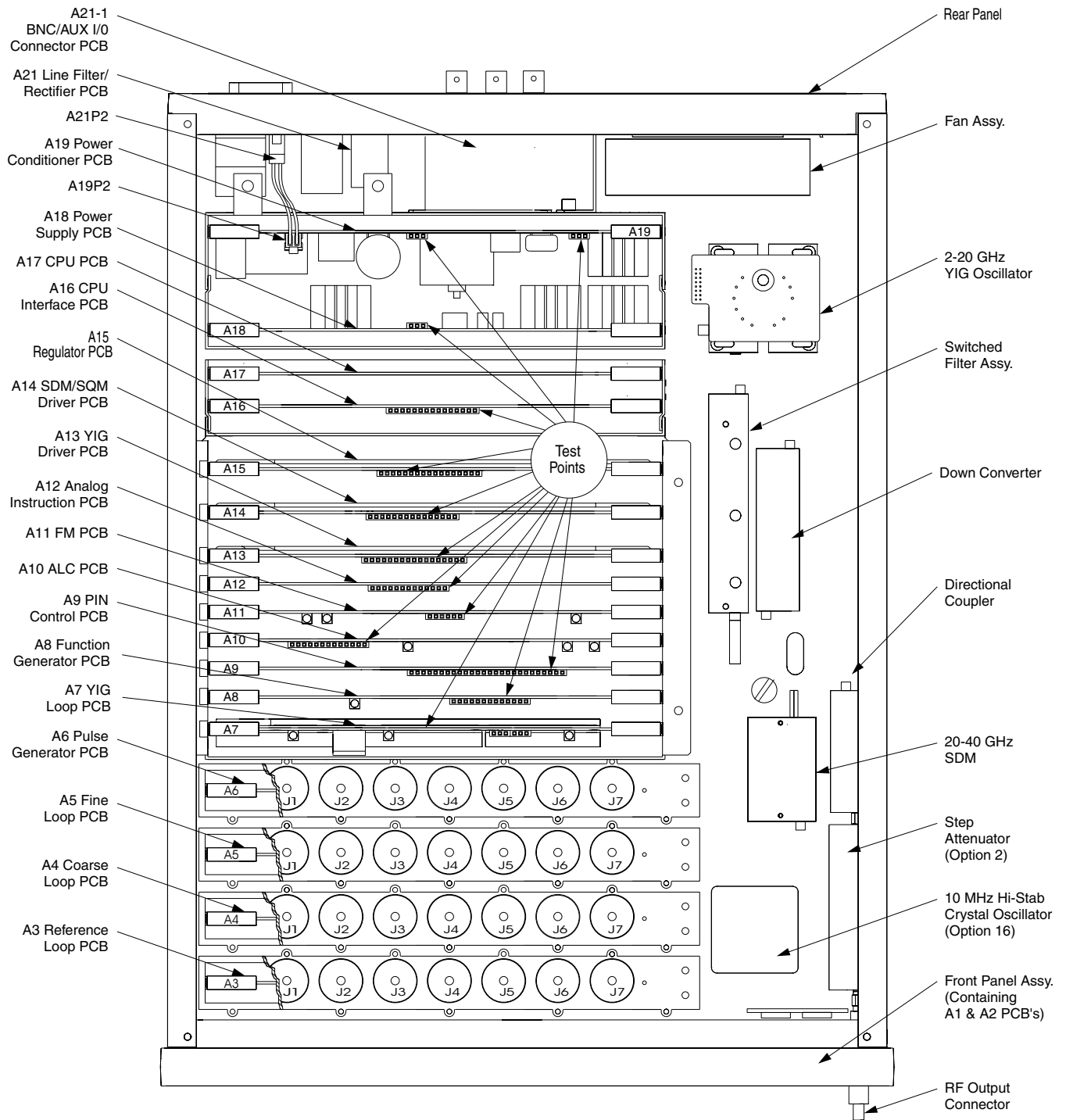
Tables 5-4 through 5-27, beginning on page 5-12, provide procedures for isolating malfunctions to a replaceable subassembly or RF component. In those cases where any of several subassemblies or RF components could have caused the problem, subassembly/RF component replacement is indicated. The recommended replacement order is to replace first the subassemblies/RF components that are most likely to have failed.

Figure 5-1, on the following page, shows the location of the 682XXB/683XXB connectors and test points that are called out in the troubleshooting procedures of Tables 5-4 through 5-27.

**CAUTION**

**Never** remove or replace a subassembly or RF component with power applied. Serious damage to the instrument may occur.





**Figure 5-1.** Top View of the 682XXB/683XXB Showing Connector and Test Point Locations

**Table 5-4.** *Malfunctions Not Displaying an Error Message (1 of 6)*

---

**Signal Generator Will Not Turn On  
(OPERATE light is OFF)**

**Normal Operation:** When the 682XXB/683XXB is connected to the power source, the OPERATE light should illuminate and the instrument should power up.

- Step 1.** Disconnect the 682XXB/683XXB from the power source, then check the line fuse on the rear panel.
- If the line fuse is good, go to step 2.
  - If the line fuse is defective, replace but do **not** apply power. Go to step 2.
- Step 2.** Remove the 682XXB/683XXB top cover and the safety cover located over the A21 Line Filter/Rectifier PCB assembly that is located on the rear panel.
- Step 3.** Disconnect the cable at connector A21P2.
- Step 4.** Connect a digital multimeter (DMM) across the pins 1 and 2 of A21P2, then connect the 682XXB/683XXB to the power source. Check for a 330 volt reading on the DMM.
- If the voltage is correct, go to step 5.
  - If the voltage is incorrect or the line fuse blows, replace the A21 PCB.
- Step 5.** Disconnect the 682XXB/683XXB from the power source and allow 5 minutes for the capacitors on the A21 PCB to discharge.
- Step 6.** Reconnect the cable at A21 P2, then remove the cover over the A18 and A19 PCBs.
- Step 7.** After connecting the negative lead of the DMM to A19TP3 and the positive lead to A19TP2, connect the 682XXB/683XXB to the power source and check for a  $+28 \pm 2$  volt reading on the DMM.
- If the voltage is correct, go to step 8.
  - If the voltage is incorrect or the line fuse blows, replace the A19 PCB.
- Step 8.** Connect the negative lead of the DMM to A15TP1 and the positive lead to A15TP14, check for a  $+23.33 \pm 0.5$  volts reading on the DMM.
-

**Table 5-4.** *Malfunctions Not Displaying an Error Message (2 of 6)*

---

- ❑ If the voltage is correct, the Front Panel assembly or the cable between Motherboard connector A20J22 and the Front Panel assembly may be defective.
- ❑ If the voltage is incorrect, the +24V standby power supply may be loaded down by (1) a shorted oven heater for the 100 MHz reference oscillator located on the A3 PCB, (2) a shorted heater for the optional 10 MHz high stability time base (if installed), or (3) a defective Front Panel assembly.

### **Signal Generator Will Not Turn On (OPERATE light is ON)**

**Normal Operation:** When the 682XXB/683XXB is connected to the power source, the OPERATE light should illuminate and the instrument should power up.

- Step 1.** Remove the 682XXB/683XXB top cover and the cover over the A18 and A19 PCBs.
- Step 2.** Connect the negative lead of the DMM to A18TP1 and the positive lead to A18TP3.
- Step 3.** Check for a  $+23.3 \pm 0.5$  volt reading on the DMM.
- ❑ If the voltage is correct, go to step 4.
  - ❑ If the voltage is incorrect or missing, the Front Panel assembly or the cable between Motherboard connector A20J22 and the Front Panel assembly may be defective.
- Step 4.** Press the front panel RF OUTPUT ON/OFF button. Do the yellow and red LEDs toggle?
- ❑ If yes, the malfunction may be caused by a failed front panel circuit. Replace the Front Panel assembly.
  - ❑ If the LEDs do not toggle or if both LEDs are lit, the problem may be caused by a malfunction on the A17 CPU PCB.
-

**Table 5-4.** *Malfunctions Not Displaying an Error Message (3 of 6)*

---

**No Pulse Modulation of the RF Output**

**Description:** The signal generator does not display any error messages during self-test; however, there is no pulse modulation of the RF output.

**Step 1.** Set up the 682XXB/683XXB as follows:

- a. Press **SYSTEM**, then **Reset**.
- b. Press **MODULATION**, then **Pulse** to go to the Internal Pulse Modulation Status display.
- c. Press **On/Off** to turn on pulse modulation.

**Step 2.** Using an oscilloscope, verify the presence of a TTL pulse (with a pulse width of approximately 25 ns) at the rear panel PULSE SYNC OUT connector.

- If present, go to step 5.
- If not present, go to step 3.

**Step 3.** Disconnect the cable, W129, from A6J4.

**Step 4.** Using an oscilloscope, verify the presence of the Pulse Sync signal at A6J4.

- If present, replace the cable W129.
- If not present, replace the A6 PCB.

**Step 5.** Using a coaxial cable with BNC connectors, connect the rear panel PULSE SYNC OUT connector to the External Trigger Input on an oscilloscope and select External Trigger.

**Step 6.** Disconnect the cable, W122, from A6J6 and the cable, W123, from A6J7.

**Step 7.** Using the oscilloscope, verify the presence of (1) a pulse train at A6J7 (pulse signal to the Switched Filter) with an output level of +2 volts to -2 volts, a pulse period of 1 ms, and a pulse width of 200  $\mu$ s; and (2) a pulse train at A6J6 (sample and hold signal to the A10 ALC PCB) with an output level of 0 volts to +1 volt, a pulse period of 1 ms, and a pulse width of 200  $\mu$ s.

Note that on an expanded timebase, the signal at A6J6 starts approximately 50 ns before the signal at A6J7.

**Table 5-4.** *Malfunctions Not Displaying an Error Message (4 of 6)*

---

- If the signals are present and correct, go to step 8.
- If the signals are not present or are incorrect, replace the A6 PCB.

**Step 8.** Disconnect the cable, W123, from J7 of the Pulsed Switched Filter assembly.

**Step 9.** Using the oscilloscope, verify the presence of a pulse train with an output level of +2 volts to -2 volts, a pulse period of 1 ms, and a pulse width of 200  $\mu$ s at the end of the cable, W123.

- If present, replace the Pulse Switched Filter assembly.
  - If not present, replace the cable W123.
-

**Table 5-4.** Malfunctions Not Displaying an Error Message (5 of 6)**Output Power Related Problems  
(>40 GHz)  
682XXB/683XXB Models with SQM**

**Description:** The signal generator does not display any error message during self-test; however, there is no or low RF output above 40 GHz.

**Step 1.** Set up the 682XXB/683XXB as follows:

a. **682XXB Setup:**

CW/SWEEP SELECT: Step

F1: 40.0 GHz

F2: 50.0, 60.0, or 65.0 GHz (Model dependent)

Number of Steps: 400

L1: -2.0 dBm

**683XXB Setup:**

CW/SWEEP SELECT: Analog

F1: 40.0 GHz

F2: 50.0, 60.0, or 65.0 GHz (Model dependent)

Sweep Time: 0.100 Sec

L1: -2.0 dBm

**Step 2.** Connect the X input of an oscilloscope to the 682XXB/683XXB rear pane HORIZ OUT connector.

**Step 3.** Using the oscilloscope, check the following voltages:

- a. For models having a high end frequency of 50 GHz, check the SQM bias voltages at A14TP5 and A14TP7. The bias voltage at A14TP5 should be +10 volts; the bias voltage at A14TP7 should be -5 volts.

For models having a high end frequency of 60 or 65 GHz, check for a +12 volts SQM bias voltage at A14TP6.

- b. For all models, check for a -2 volt PIN switch drive voltage at A9TP22.
- If the SQM bias and PIN switch drive voltages are correct, go to step 4.
  - If the SQM bias voltage(s) is not correct, replace the A14 PCB.
  - If the PIN switch drive voltage is not correct, replace the A9 PCB.

**Table 5-4.** *Malfunctions Not Displaying an Error Message (6 of 6)*

---

- Step 4.** Connect a 562 Scalar Network Analyzer to the 682XXB/683XXB as follows:
- a. Connect the 682XXB/683XXB AUX I/O to the 562 AUX I/O.
  - b. Connect the 562 DEDICATED GPIB to the 682XXB/w683XXB IEEE-488 GPIB.
  - c. Connect the RF Detector to the 562 Channel A Input.
- Step 5.** Set up the 562 Scalar Network Analyzer as follows:
- a. Press SYSTEM MENU display.
  - b. From System Menu display, select RESET.
  - c. Press CHANNEL 2 DISPLAY: OFF.
  - d. Press CHANNEL 1 DISPLAY: ON.
  - e. Press CHANNEL 1 Menu key.
  - f. From the Channel 1 Menu display, select POWER.
- Step 6.** Using the scalar network analyzer, measure the RF output at J4 of the switched filter assembly. The amplitude of the RF signal should be  $>+18$  dBm throughout the full sweep.
- If the amplitude of the RF signal is correct, replace the SQM.
  - If there is no RF signal or if the amplitude of the RF signal is low, replace the switched filter assembly.
-

**Table 5-5.** *Error Messages 100, 101, and 102*

---

### **Internal DVM Tests**

**Error 100 DVM Ground Offset Failed, or  
Error 101 DVM Positive 10V Reference, or  
Error 102 DVM Negative 10V Reference**

**Description:** The DVM circuitry, located on the A16 CPU Interface PCB, is calibrated using the  $\pm 10$  volts from the reference supplies on the A12 Analog Instruction PCB. The error messages indicate a calibration-related problem or a defective  $\pm 10$  volt reference.

**Step 1.** Perform a manual pre-calibration. (Refer to chapter 4 for the calibration procedure.)

**Step 2.** Run self-test.

- If no error message is displayed, the problem is cleared.
- If any of the error messages, 100, 101, and 102, are displayed, go to step 3.

**Step 3.** Connect the negative lead of the DMM to A12TP1.

**Step 4.** Measure the  $\pm 10$ V reference voltages at A12TP4 and A12TP8. A12TP4 should be  $-10\text{V} \pm 0.036\text{V}$ ; A12TP8 should be  $+10\text{V} \pm 0.036\text{V}$ .

- If the  $\pm 10$ V reference voltages are correct, go to step 5.
- If incorrect, replace the A12 PCB.

**NOTE**

Even if the  $\pm 10$ V reference voltages are correct, there could still be a malfunction of the DVM multiplexer on the A12 PCB or the DVM circuitry on the A16 CPU Interface PCB.

**Step 5.** Replace the A12 PCB and run self-test again.

- If no error message is displayed, the problem is cleared.
- If any of the error messages, 100, 101, and 102, are displayed, go to step 6.

**Step 6.** Replace the A16 PCB, then run self-test.

- If no error message is displayed, the problem is cleared.
  - If any of the error messages, 100, 101, and 102, are displayed, contact your local ANRITSU service center for assistance.
-



**Table 5-6.** Error Messages 105 and 106 (1 of 10)**Power Supply Tests****WARNING**

Voltages hazardous to life are present throughout the power supply circuits, even when the front panel LINE switch is in the STANDBY position. When performing maintenance, use utmost care to avoid electrical shock.

**Error 105 Power Supply Voltage(s) out of Regulation.**

**Description:** The out of regulation circuit, located on the A15 Regulator PCB, monitors all of the regulated power supply outputs. This error message indicates that one or more of the voltages from the power supply, with the exception of the 5 volt supply, is out of regulation. If the 5 volt supply is faulty, the 682XXB/683XXB will not operate.

**Step 1.** Measure the regulated voltages at the test points shown in Table 5-7.

- If incorrect for a supply, go to the referenced step.
- If incorrect for several supplies, go to step 2.
- If all voltages are correct, go to step 3.

**Table 5-7.** Regulated Power Supply Voltages

| Regulated Voltage | Measurement Point | Reference Point | Value               | Refer to Step |
|-------------------|-------------------|-----------------|---------------------|---------------|
| +15VG             | A15 TP3           | A15 TP1         | +15V $\pm$ 0.75V    | 4             |
| -15VG             | A15 TP9           | A15 TP1         | -15V $\pm$ 0.75V    | 4             |
| +15VA             | A15 TP2           | A15 TP1         | +15 $\pm$ 0.75V     | 5             |
| -15VA             | A15 TP7           | A15 TP1         | -15V $\pm$ 0.75V    | 5             |
| +15VLP            | A15 TP12          | A15 TP1         | +15V $\pm$ 0.75V    | 6             |
| -15VLP            | A15 TP13          | A15 TP1         | -15V $\pm$ 0.75V    | 6             |
| +15VFM            | A15 TP8           | A15 TP1         | +15V $\pm$ 0.75V    | 7             |
| -15VFM            | A15 TP11          | A15 TP1         | -15V $\pm$ 0.75V    | 7             |
| -18VT             | A15 TP10          | A15 TP1         | -18.06V $\pm$ 0.36V | 8             |
| -43VT             | A15 TP15          | A15 TP1         | -43.1V $\pm$ 0.9V   | 9             |
| +24VH             | A15 TP6           | A15 TP1         | +24.32V $\pm$ 0.5V  | 10            |

**Table 5-6.** *Error Messages 105 and 106 (2 of 10)*

---

- Step 2.** Perform the following procedure to isolate malfunctions when the voltages from several regulated supplies are incorrect.
- a. Place the LINE switch to STANDBY.
  - b. Replace the A15 PCB assembly.
  - c. Place the LINE switch to OPERATE and measure the regulated voltages per Table 5-7.
    - If the voltages are correct, the problem is cleared.
    - If the voltages are incorrect, go to step d.
  - d. Place the LINE switch to STANDBY.
  - e. Replace the A18 PCB.
  - f. Place the LINE switch to OPERATE and measure the regulated voltages per Table 5-7.
    - If the voltages are correct, the problem is cleared.
    - If the voltages are still incorrect, contact your local ANRITSU service center for assistance.
- Step 3.** Run self-test again.
- If no error message is displayed, the problem is cleared.
  - If error 105 displays again, contact your local ANRITSU service center for assistance.
-

**Table 5-6.** *Error Messages 105 and 106 (3 of 10)*

---

### **±15VG Supply Problems**

This supply provides ±15 volts to the YIG Driver; SDM, SQM Driver; CPU; and CPU I/O circuits andw the Switched Filter and Down Converter assemblies.

- Step 4.** Perform the following procedure to isolate malfunctions to the ±15VG supply and outlying load circuits.
- a. Place the LINE switch to STANDBY.
  - b. Replace the A15 PCB assembly.
  - c. Place the LINE switch to OPERATE and measure the ±15VG voltages per Table 5-7.
    - If the voltages are correct, the problem is cleared.
    - If the voltages are incorrect, go to step d.
  - d. Place the LINE switch to STANDBY.
  - e. Remove the A13, A14, A16, and A17 PCBs as applicable for your model.
  - f. Place the LINE switch to OPERATE and measure the ±15VG voltages.
    - If the voltages are correct, go to step j.
    - If the voltages are still incorrect, go to step g.
  - g. Place the LINE switch to STANDBY.
  - h. Remove the switched filter and down converter assemblies.
  - i. Place the LINE switch to OPERATE and measure the ±15VG voltages.
    - If the voltages are correct, go to step j.
    - If the voltages are still incorrect, contact your local ANRITSU service center for assistance.
  - j. Place the LINE switch to STANDBY, then install one of the removed PCBs/assemblies.
  - k. Place the LINE switch to OPERATE and measure the ±15VG voltages.
  - l. Continue steps j and k until the faulty PCB/assembly is located.
-

**Table 5-6.** *Error Messages 105 and 106 (4 of 10)*

---

### **±15VA Supply Problems**

This supply provides ±15 volts to the Function Generator, PIN Control, ALC, FM, and Analog Instruction circuits.

- Step 5.** Perform the following procedure to isolate malfunctions to the ±15VA supply and outlying load circuits.
- a. Place the LINE switch to STANDBY.
  - b. Replace the A15 PCB assembly.
  - c. Place the LINE switch to OPERATE and measure the ±15VA voltages per Table 5-7.
    - If the voltages are correct, the problem is cleared.
    - If the voltages are incorrect, go to step d.
  - d. Place the LINE switch to STANDBY.
  - e. Remove the A8, A9, A10, A11, and A12 PCBs.
  - f. Place the LINE switch to OPERATE and measure the ±15VA voltages.
    - If the voltages are correct, go to step g.
    - If the voltages are still incorrect, contact your local ANRITSU service center for assistance.
  - g. Place the LINE switch to STANDBY, then install one of the removed PCBs.
  - h. Place the LINE switch to OPERATE and measure the ±15VA voltages.
  - i. Continue steps g and h until the faulty PCB is located.
-

**Table 5-6.** *Error Messages 105 and 106 (5 of 10)*

---

### **±15VLP Supply Problems**

This supply provides ±15 volts to the Pulse Generator and the Reference, Coarse, Fine, and YIG Loop circuits.

- Step 6.** Perform the following procedure to isolate malfunctions to the ±15VLP supply and outlying load circuits.
- a. Place the LINE switch to STANDBY.
  - b. Replace the A15 PCB assembly.
  - c. Place the LINE switch to OPERATE and measure the ±15VLP voltages per Table 5-7.
    - If the voltages are correct, the problem is cleared.
    - If the voltages are incorrect, go to step d.
  - d. Place the LINE switch to STANDBY.
  - e. Remove the A3, A4, A5, A6, and A7 PCBs.
  - f. Place the LINE switch to OPERATE and measure the ±15VLP voltages.
    - If the voltages are correct, go to step g.
    - If the voltages are still incorrect, contact your local ANRITSU service center for assistance.
  - g. Place the LINE switch to STANDBY, then install one of the removed PCBs.
  - h. Place the LINE switch to OPERATE and measure the ±15VLP voltages.
  - i. Continue steps g and h until the faulty PCB is located.
-

**Table 5-6.** *Error Messages 105 and 106 (6 of 10)*

---

### **±15VFM Supply Problems**

This supply provides ±15 volts to the FM circuits.

- Step 7.** Perform the following procedure to isolate malfunctions to the ±15VFM supply and its outlying load circuit.
- a. Place the LINE switch to STANDBY.
  - b. Replace the A15 PCB assembly.
  - c. Place the LINE switch to OPERATE and measure the ±15VFM voltages per Table 5-7.
    - If the voltages are correct, the problem is cleared.
    - If the voltages are incorrect, go to step d.
  - d. Place the LINE switch to STANDBY.
  - e. Remove the A11 and A13 PCBs.
  - f. Place the LINE switch to OPERATE and measure the 15VFM voltages.
    - If the voltages are correct, go to step g.
    - If the voltages are still incorrect, contact your local ANRITSU service center for assistance.
  - g. Place the LINE switch to STANDBY, then install on the remove PCBs.
  - h. Place the LINE switch to OPERATE and measure the ±15VFM voltages.
  - i. Continue steps g and h until the faulty PCB is located.
-

**Table 5-6.** Error Messages 105 and 106 (7 of 10)

---

### **-18VT Supply Problems**

This supply provides -18 volts to the front panel LCD contrast circuit and to drive the YIG-tuned oscillator main tuning coil during CW and slow analog sweeps.

- Step 8.** Perform the following procedure to isolate malfunctions to the -18VT supply and its outlying load circuit.
- a. Place the LINE switch to STANDBY.
  - b. Replace the A15 PCB assembly.
  - c. Place the LINE switch to OPERATE and measure the -18VT voltage per Table 5-7.
    - If the voltage is correct, the problem is cleared.
    - If the voltage is incorrect, go to step d.
  - d. Place the LINE switch to STANDBY.
  - e. Remove the A13 PCB and the YIG-tuned oscillator assembly.
  - f. Place the LINE switch to OPERATE and measure the -18VT voltage.
    - If the voltage is correct, go to step i.
    - If the voltage is still incorrect, go to step g.
  - g. Replace the front panel assembly by following the steps in paragraph 6-3 of Chapter 6—Removal and Replacement Procedures.
  - h. Place the LINE switch to OPERATE and measure the -18VT voltage.
    - If the voltage is correct, the problem is cleared.
    - If the voltage is still incorrect, contact your local ANRITSU service center for assistance.
  - i. Place the LINE switch to STANDBY.
  - j. Install the A13 PCB.
  - k. Place the LINE switch to OPERATE and measure the -18VT voltage.
    - If the voltage is correct, replace the YIG-tuned oscillator assembly.
    - If the voltage is incorrect, replace the A13 PCB.
-

**Table 5-6.** *Error Messages 105 and 106 (8 of 10)*

---

### **–43VT Supply Problems**

This supply provides –43 volts to drive the YIG-tuned oscillator main tuning coil during bandswitching, fast analog sweeps, and digital sweeps.

**Step 9.** Perform the following procedure to isolate malfunctions to the –43VT supply and its outlying load circuit.

- a. Place the LINE switch to STANDBY.
  - b. Replace the A15 PCB assembly.
  - c. Place the LINE switch to OPERATE.
  - d. Set up the 682XXB/683XXB to perform a 2 to 20 GHz step sweep.
  - e. Measure the –43VT voltage per Table 5-7.
    - If the voltage is correct, the problem is cleared.
    - If the voltage is incorrect, go to step f.
  - f. Place the LINE switch to STANDBY.
  - g. Remove the A13 PCB and the YIG-tuned oscillator assembly.
  - h. Place the LINE switch to OPERATE and measure the –43VT voltage.
    - If the voltage is correct, go to step i.
    - If the voltage is still incorrect, contact your local ANRITSU service center for assistance.
  - i. Place the LINE switch to STANDBY.
  - j. Install the A13 PCB.
  - k. Place the LINE switch to OPERATE and measure the –43VT voltage.
    - If the voltage is correct, replace the YIG-tuned oscillator assembly.
    - If the voltage is incorrect, replace the A13 PCB.
-



**Table 5-6.** Error Messages 105 and 106 (9 of 10)

---

### **+24VH Supply Problems**

This supply provides +24 volts for the YIG-tuned oscillator heater, the V/GHz circuit on the A12 PCB, and the coarse, fine, and YIG loop circuits. When the 682XXB/683XXB is switched to OPERATE, it also takes over the function of the 24VS supply and supplies +24 volts to the 100 MHz reference oscillator oven heater, the front panel LINE switch circuitry, and the optional 10 MHz high stability time base oven heater.

- Step 10.** Perform the following procedure to isolate malfunctions to the +24VH supply and outlying load circuits.
- a. Place the LINE switch to STANDBY.
  - b. Replace the A15 PCB assembly.
  - c. Place the LINE switch to OPERATE and measure the +24VH voltage per Table 5-7.
    - If the voltage is correct, the problem is cleared.
    - If the voltage is incorrect, go to step d.
  - d. Place the LINE switch to STANDBY.
  - e. Remove the A4, A5, A7, and A12 PCBs and the YIG-tuned oscillator assembly.
  - f. Place the LINE switch to OPERATE and measure the +24VH voltage.
    - If the voltage is correct, go to step g.
    - If the voltage is still incorrect, contact your local ANRITSU service center for assistance.
  - g. Place the LINE switch to STANDBY, then install one of the removed PCBs or the YIG-tuned oscillator assembly.
  - h. Place the LINE switch to OPERATE and measure the +24VH voltage.
  - i. Continue steps g and h until the faulty PCB/assembly is located.
-

**Table 5-6.** *Error Messages 105 and 106 (10 of 10)*

---

### **Power Supply Not Phase-Locked**

#### **Error 106 Power Supply not Locked**

**Description:** The switching power supply is not phase locked to the 400 kHz reference signal from the A6 Pulse Generator PCB. Error 106 may be displayed alone or it may be accompanied by error 148 (Pulse 40 MHz reference circuitry failed).

#### **Power Supply not Locked and Error 148 is not Displayed**

- Step 1.** Using an oscilloscope, verify the presence of a 400 kHz TTL square wave at TP2 on the A6 PCB (P/N D40606-3) or TP12 on the A6 PCB (P/N D40626-3).
- If present, replace the A18 Power Supply PCB.
  - If not present, replace the A6 PCB.

#### **Power Supply not Locked and Error 148 is Displayed**

- Step 1.** Troubleshoot the cause of error 148 (Table 5-27, page 5-52). In most cases, this will also be the cause of error 106.
-

**Table 5-8.** *Error Messages 108, 109 and 110 (1 of 2)*

---

### **A3 Reference Loop**

#### **Error 108 Crystal Oven Cold**

**Description:** The oven of the 100 MHz crystal oscillator or the Option 16 high-stability 10 MHz crystal oscillator has not reached operating temperature.

- Step 1.** Allow a 30 minute warm up, then run self-test again.
- If error 108 is not displayed, the problem is cleared.
  - If error 108 displays and Option 16 is not installed, replace the A3 PCB.
  - If error 108 displays and Option 16 is installed, go to step 2.
- Step 2.** Disconnect the cable between Motherboard connector A20J4 and the Option 16 crystal oscillator assembly.
- Step 3.** Run self-test again.
- If error 108 is not displayed, replace the Option 16 crystal oscillator assembly.
  - If error 108 is still displayed, replace the A3 PCB.

#### **Error 109 The 100MHz Reference is not phase-locked to the External Reference**

**Description:** The reference loop is not phase-locked to the external 10 MHz reference.

- Step 1.** Using a coaxial cable with BNC connectors, connect the rear panel 10 MHz REF IN connector to the rear panel 10 MHz REF OUT connector.
- Step 2.** Disconnect the cable, W110, from A3J7.
- Step 3.** Using an oscilloscope, verify the presence of a 10 MHz signal at the end of the cable. The signal amplitude should be >0.5 volts peak-to-peak (into 50Ω).
- If present, replace the A3 PCB.
  - If not present, replace the cable W110.
-

*Table 5-8. Error Messages 108, 109 and 110 (2 of 2)*

---

**Error 110 The 100MHz Reference is not Locked to the High Stability 10MHz Crystal Oscillator**

**Description:** The reference loop is not phase-locked to the Option 16 high stability 10 MHz crystal oscillator.

**Step 1.** Disconnect the cable from A3J6.

**Step 2.** Using an oscilloscope, verify the presence of a 10 MHz signal at the end of the cable. The signal amplitude should be  $\geq 1$  volt (into  $50\Omega$ ).

- If present, replace the A3 PCB.
  - If not present, replace the Option 16 crystal oscillator assembly.
- 

*Table 5-9. Error Message 111 (1 of 2)*

---

**A5 Fine Loop**

**Error 111 Fine Loop Osc Failed**

**Description:** One or more of the oscillators within the fine loop is not phase-locked.

**Step 1.** Disconnect cable W121 at A5J5.

**Step 2.** Using a spectrum analyzer, verify the presence of a +3 dBm  $\pm 5$  dB, 10 MHz signal at the end of the cable.

- If present, go to step 9.
- If not present, go to step 3.

**Step 3.** Disconnect cable W121 at A4J7.

**Step 4.** Using the spectrum analyzer, verify the presence of the +3 dBm  $\pm 5$  dB, 10 MHz signal at A4J7.

- If present, replace the cable W121.
- If not present, go to step 5.

**Step 5.** Disconnect cable W105 at A4J6.

---

**Table 5-9.** *Error Message 111 (2 of 2)*

- Step 6.** Using the spectrum analyzer, verify the presence of the +3 dBm  $\pm$ 5 dB, 10 MHz signal at the end of the cable.
  - If present, replace the A4 PCB.
  - If not present, go to step 7.
- Step 7.** Disconnect cable W105 at A3J4.
- Step 8.** Using the spectrum analyzer, verify the presence of the +3 dBm  $\pm$ 5 dB, 10 MHz signal at A3J4.
  - If present, replace the cable W105.
  - If not present, replace the A3 PCB.
- Step 9.** Reconnect cable W121 to A5J5 and disconnect cable W107 at A5J1.
- Step 10.** Set up the 682XXB/683XXB to generate the CW frequencies listed in Table 5-10.
- Step 11.** Using a spectrum analyzer, measure the frequency and amplitude of the signal at A5J1 for each of the CW frequencies generated. In each case, the signal amplitude should be +3 dBm  $\pm$ 3 dB with sidebands at  $<$ -65 dBc.
  - If the signals are correct in both frequency and amplitude, go to step 12.
  - If the signals are incorrect, replace the A5 PCB.
- Step 12.** Reconnect cable W107 to A5J1 and run self-test again.
  - If error 111 is not displayed, the problem is cleared.
  - If error 111 is still displayed, contact your local ANRITSU service center for assistance.

**Table 5-10.** *Fine Loop Frequencies*

| 682XXB/683XXB<br>CW Frequency | Measured Frequency<br>at A5J1 |
|-------------------------------|-------------------------------|
| 10.102 GHz                    | 22 MHz                        |
| 10.110 GHz                    | 30 MHz                        |
| 10.120 GHz                    | 40 MHz                        |

*Table 5-11. Error Message 112*

**A4 Coarse Loop**

**Error 112 Coarse Loop Osc Failed**

**Description:** The coarse loop oscillator is not phase-locked.

**Step 1.** Disconnect cable W103 at A4J1 and cable W105 at A4J6.

**Step 2.** Using a spectrum analyzer, verify the presence of a +5 dBm  $\pm$ 6 dB, 500 MHz signal at the end of cable W103 and a +3 dBm  $\pm$ 5 dB, 10 MHz signal at the end of cable W105.

- If present, go to step 5.
- If one or both of the signals are not present, go to step 3.

**Step 3.** Disconnect cable W103 at A3J1 and cable W105 at A3J4.

**Step 4.** Using the spectrum analyzer, verify the presence of the +5 dBm  $\pm$ 6 dB, 500 MHz signal at A3J1 and the +3 dBm  $\pm$ 5 dB, 10 MHz signal at A3J4.

- If the 500 MHz signal is present, replace cable W103.
- If the 10 MHz signal is present, replace cable W105.
- If the signals are not present, replace the A3 PCB.

**Step 5.** Reconnect cable W103 to A4J1 and cable W105 to A4J6, then disconnect cable W106 at A4J3.

**Step 6.** Set up the 682XXB/683XXB to generate the CW frequencies listed in Table 5-12.

**Step 7.** Using a spectrum analyzer, measure the frequency and amplitude of the signal at A4J3 for each of the CW frequencies generated. In each case, the signal amplitude should be +4 dBm  $\pm$ 6 dB with sidebands at  $<$ -50 dBc.

- If the signals are correct in both frequency and amplitude, go to step 8.
- If the signals are incorrect, replace the A4 PCB.

**Step 8.** Reconnect cable W106 to A4J3 and run self-test again.

- If error 112 is not displayed, the problem is cleared.
- If error 112 is still displayed, contact your local ANRITSU service center for assistance.

*Table 5-12. Coarse Loop Frequencies*

| 682XXB/683XXB<br>CW Frequency | Measured<br>Frequency at A4J3 |
|-------------------------------|-------------------------------|
| 2.000 GHz                     | 219.5 MHz $\pm$ 10 kHz        |
| 2.050 GHz                     | 225.0 MHz $\pm$ 10 kHz        |
| 2.225 GHz                     | 244.5 MHz $\pm$ 10 kHz        |

---

**Table 5-13.** Error Messages 113 and 115 (1 of 2)

---

**A7 YIG Loop****Error 113 YIG Loop Osc Failed****Error 115 Not Locked Indicator Failed**

**Description:** Error 113 indicates that the YIG loop is not phase-locked. Error 115 indicates a failure of the not phased-lock indicator circuit.

- Step 1.** Verify the signal output from the A4 Coarse Loop PCB by performing steps 5 thru 7 in Table 5-11.
- If the coarse loop signals are correct in both frequency and amplitude, go to step 2.
  - If the coarse loop signals are incorrect, replace the A4 PCB.
- Step 2.** Verify the signal output from the A5 Fine Loop PCB by performing steps 9 thru 11 in Table 5-9.
- If the fine loop signals are correct in both frequency and amplitude, go to step 3.
  - If the fine loop signals are incorrect, replace the A5 PCB.
- Step 3.** Disconnect the semi-rigid cable at output port J5 of the switched filter assembly.
- Step 4.** Set up the 682XXB/683XXB to generate a CW frequency of 2.000 GHz.
- Step 5.** Using a spectrum analyzer, measure the frequency and amplitude of the signal at J5 of the switched filter assembly. The frequency should be 2.000 GHz  $\pm$ 25 MHz and the amplitude should be from -20 to -27 dBm.
- If the signal is correct in both frequency and amplitude, go to step 6.
  - If the signals are incorrect, replace the switched filter assembly.
- Step 6.** Repeat steps 4 and 5, incrementing the CW frequency in 1 GHz steps up to 20.000 GHz.
- Step 7.** If the signals from the coarse loop, fine loop, and switched filter assembly are all correct, replace the A7 YIG Loop PCB.
-

**Table 5-13.** *Error Messages 113 and 115 (2 of 2)*

---

- Step 8.** Run self-test.
- If error 113 or 115 is not displayed, the problem is cleared.
  - If either error 113 or 115 is displayed, contact your local ANRITSU service center for assistance.
- 

**Table 5-14.** *Error Message 114*

---

### **Down Converter**

#### **Error 114 Down Converter LO not Locked**

**Description:** The local oscillator in the down converter assembly is not phase-locked.

- Step 1.** Disconnect cable W112 at A3J2.
- Step 2.** Using a spectrum analyzer, verify the presence of a +5 dBm  $\pm 6$  dB, 500 MHz signal at A3J2.
- If present, go to step 3.
  - If not present, replace the A3 PCB.
- Step 3.** Reconnect cable W112 to A3J1, then disconnect cable W112 at J2 of the down converter assembly.
- Step 4.** Using a spectrum analyzer, verify the presence of a +5 dBm  $\pm 6$  dB, 500 MHz signal at the end of cable W112.
- If present, replace the down converter assembly.
  - If not present, replace cable W112.
-



**Table 5-15.** *Error Message 116*

---

### **A11 FM PCB**

#### **Error 116 FM Loop Gain Check Failed**

**Description:** The FM loop has failed or the loop gain is out of tolerance.

- Step 1.** Perform a preliminary calibration. (Refer to chapter 4 for the calibration procedure.)
- Step 2.** Run self-test.
- If error 116 is not displayed, the problem is cleared.
  - If error 116 is still displayed, go to step 3.
- Step 3.** Replace the A11 PCB and run self-test again.
- If error 116 is not displayed, the problem is cleared.
  - If error 116 is displayed, contact your local ANRITSU service center for assistance.
-

**Table 5-16.** *Error Messages 107, 117, 118, 119, and 120*

---

### **A12 Analog Instruction**

**Error 107 Sweep Time Check Failed**

**Error 117 Linearizer Check Failed**

**Error 118 Switchpoint DAC Failed**

**Error 119 Center Frequency Circuits Failed**

**Error 120 Delta-F Circuits Failed**

**Description:** Each of these error messages indicates a problem in the circuitry on the A12 Analog Instruction PCB that provides frequency tuning voltages for the YIG-tuned oscillator.

**Step 1.** Perform a preliminary calibration. (Refer to chapter 4 for the calibration procedure.)

**Step 2.** Run self-test.

- If no error message is displayed, the problem is cleared.
- If any of the error messages, listed above, is displayed, go to step 3.

**Step 3.** Replace the A12 PCB and run self-test again.

- If no error message is displayed, the problem is cleared.
  - If any of the error messages, listed above, is displayed, contact your local ANRITSU service center for assistance.
-

**Table 5-17.** Error Messages 121, 122, 123, 127, 142, and 143 (1 of 2)**A10 ALC****Error 121 Unleveled Indicator Failed****Error 122 Level Reference Failed****Error 123 Detector Log Amp Failed****Error 127 Detector Input Circuit Failed**

**Description:** Error 121 indicates a failure of the circuit that alerts the CPU whenever the RF output power becomes unleveled. Each of the other error messages indicates a problem in the circuitry on the A10 ALC PCB that provides control of the RF output power level.

**Step 1.** Replace the A10 PCB, and run self-test.

- If no error message is displayed, the problem is cleared.
- If any of the error messages, listed above, is displayed, contact your local ANRITSU service center for assistance.

**Error 142 Sample and Hold Circuit Failed**

**Description:** Error 142 indicates a failure of the sample and hold circuitry on the A10 PCB.

**Step 1.** Set up the 682XXB/683XXB as follows:

- a. Press **SYSTEM**, then **Reset**.
- b. Press **MODULATION**, then **Pulse** to go to the Internal Pulse Modulation Status display.
- c. Press **On/Off** to turn on pulse modulation.

**Step 2.** Disconnect the cable, W122, from A6J6.

**Step 3.** Using an oscilloscope, verify the presence of a pulse train at A6J6 (sample and hold signal to the A10 ALC PCB) with an output level of 0 volts to +1 volt, a pulse period of 1 ms, and a pulse width of 200  $\mu$ s.

- If the signal is present and correct, reconnect cable W122 to A6J6 and go to step 4.
- If the signal is not present or is incorrect, replace the A6 PCB.

**Step 4.** Disconnect the cable, W122, from A10J1.

**Step 5.** Using the oscilloscope, verify the presence of the sample and hold signal (pulse train described in step 3) at the end of the cable, W122.

**Table 5-17.** Error Messages 121, 122, 123, 127, 142, and 143 (2 of 2)

---

- If present, replace the A10 PCB.
- If not present, replace the cable W122.

### **Error 143 Slope DAC Failed**

**Description:** Error 143 indicates a problem with the level slope DAC circuitry on the A10 PCB.

**NOTE**

When troubleshooting this error in a 682XXB model, begin at step 3 of the procedure.

- Step 1.** Recalibrate the ALC slope. (Refer to chapter 4 for the calibration procedure.)
- Step 2.** Run self-test.
- If error 143 is not displayed, the problem is cleared.
  - If error 143 is still displayed, go to step 3.
- Step 3.** Replace the A10 PCB and run self-test again.
- If error 143 is not displayed, the problem is cleared.
  - If error 143 is still displayed, go to step 4.
- Step 4.** Replace the A12 PCB and run self-test again.
- If error 143 is not displayed, the problem is cleared.
  - If error 143 is still displayed, contact your local ANRITSU service center for assistance.
-

**Table 5-18.** *Error Messages 124, 125, and 126 (1 of 2)*

---

### **YIG-tuned Oscillator**

**Error 124 Full Band Unlocked and Unleveled**

**Error 125 8.4-20 GHz Unlocked and Unleveled**

**Error 126 2-8.4 GHz Unlocked and Unleveled**

**Description:** These error messages indicate either a failure of one or both of the oscillators in the 2-20 GHz YIG-tuned oscillator assembly.

- Step 1.** Connect a 562 Scalar Network Analyzer to the 682XXB/683XXB as follows:
- a. Connect the 682XXB/683XXB AUX I/O to the 562 AUX I/O.
  - b. Connect the 562 DEDICATED GPIB to the 682XXB/683XXB IEEE-488 GPIB.
  - c. Connect the RF Detector to the 562 Channel A Input.
- Step 2.** Set up the 682XXB/683XXB as follows:
- a. **682XXB Setup:**  
CW/SWEEP SELECT: Step  
F1: 2.000 GHz  
F2: 20.000 GHz  
Number of Steps: 400
  - 683XXB Setup:**  
CW/SWEEP SELECT: Analog  
F1: 2.000 GHz  
F2: 20.000 GHz  
Sweep Time: 0.100 Sec
- Step 3.** Set up the 562 Scalar Network Analyzer as follows:
- a. Press SYSTEM MENU key.
  - b. From System Menu display, select RESET.
  - c. Press CHANNEL 2 DISPLAY: OFF.
  - d. Press CHANNEL 1 DISPLAY: ON.
  - e. Press CHANNEL 1 MENU key.
  - f. From the Channel 1 Menu display, select POWER.
- Step 4.** Using the scalar network analyzer, measure the RF output directly at the YIG-tuned oscillator's output connector. The amplitude of the RF signal should be >4 dBm throughout the full sweep.
-

**Table 5-18.** *Error Messages 124, 125, and 126 (2 of 2)*

- If the RF signal is correct in both frequency and amplitude throughout the full sweep, go to step 8.
  - If there is no RF signal for all or part of the sweep or if the amplitude of the RF signal is low, go to step 5.
- Step 5.** Connect the X input of an oscilloscope to the 682XXB/683XXB rear panel HORIZ OUT connector.
- Step 6.** Using the oscilloscope, check for a -0.2 to -3.5 volt YIG tuning ramp at A13TP10.
- If the ramp signal is correct, go to step 7.
  - If the ramp signal is incorrect or not present, replace the A13 PCB.
- Step 7.** Using the oscilloscope, check for the YIG bias voltages at the test points shown in Table 5-19.
- If the YIG bias voltages are correct, replace the YIG-tuned oscillator assembly.
  - If the YIG bias voltages are incorrect, replace the A13 PCB.
- Step 8.** Run self-test again.
- If no error message is displayed, the problem is cleared.
  - If any of the error messages, listed above, are displayed, contact your local ANRITSU service center for assistance.

**Table 5-19.** *YIG-tuned Oscillator Bias Voltages*

| Test Point | YIG-tuned Oscillator Bias Voltages |               |
|------------|------------------------------------|---------------|
|            | 2 to 8.4 GHz                       | 8.4 to 20 GHz |
| A13TP3     | +6V                                | +6V           |
| A13TP5     | 0V                                 | +8V           |
| A13TP6     | -5V                                | -5V           |
| A13TP7     | +8V                                | 0V            |

**Table 5-20.** Error Messages 128, 129, 130, 131, 132, 133, 134, and 135 (1 of 8)

---

### **Output Power Level Related Problems (0.01 to 20 GHz)**

#### **Error 128 .01-2 GHz Unleveled**

**Description:** Error 128 indicates a failure of the down converter leveling circuitry. The 682XXB/683XXB may or may not produce an RF output in the 0.01 to 2 GHz frequency range. Thus, there are two troubleshooting paths for this problem—unleveled with output power and unleveled with no/low output power.

**Unleveled with output power** (The warning message **UNLEVELED** appears on the front panel display):

**Step 1.** Set up the 682XXB/683XXB as follows:

- a. **682XXB Setup:**  
CW/SWEEP SELECT: Step  
F1: 0.010 GHz  
F2: 2.000 GHz  
Number of Steps: 400  
L1: +1.00 dBm  
  
**683XXB Setup:**  
CW/SWEEP SELECT: Analog  
F1: 0.010 GHz  
F2: 2.000 GHz  
Sweep Time: 0.100 Sec  
L1: +1.00 dBm
- b. LEVEL/ALC SELECT: ALC Mode  
ALC Mode: Ext ALC Front  
Leveling Menu: External Detector

**Step 2.** Connect a detector to the 682XXB/683XXB RF OUTPUT connector and connect the detected DC output of the detector to the front panel EXTERNAL ALC IN connector.

- If the warning message **UNLEVELED** no longer appears on the front panel display, replace the down converter.
  - If the warning message **UNLEVELED** is still displayed, replace the A10 PCB.
-

**Table 5-20.** *Error Messages 128, 129, 130, 131, 132, 133, 134, and 135 (2 of 8)*

---

**Unleveled with no/low output power:**

**Step 1.** Set up the 682XXB/683XXB as follows:

a. **682XXB Setup:**

CW/SWEEP SELECT: Step

F1: 0.010 GHz

F2: 2.000 GHz

Number of Steps: 400

L1: +1.00 dBm

**683XXB Setup:**

CW/SWEEP SELECT: Analog

F1: 0.010 GHz

F2: 2.000 GHz

Sweep Time: 0.100 Sec

L1: +1.00 dBm

b. LEVEL/ALC SELECT: ALC Mode

Leveling Menu: Internal

**Step 2.** Connect the X input of an oscilloscope to the 682XXB/683XXB rear panel HORIZ OUT connector.

**Step 3.** Disconnect the cable, W114, from A10J3.

**Step 4.** Using the oscilloscope, check at the end of cable W114 for a >2.0 volt down converter detector output throughout the full sweep.

If the detector voltage is correct, replace the A10 PCB.

If the detector voltage is incorrect, go to step 5.

**Step 5.** Using the oscilloscope, check for a +15 volt down converter bias voltage at A13TP14.

If the bias voltage is correct, go to step 6.

If the bias voltage is not correct, replace the A13 PCB.

**Step 6.** Using the oscilloscope, check for a -2 volt PIN switch drive voltage at A9TP19 and A9TP22. If the 682XXB/683XXB has a SDM installed, also check for a +20 volt PIN switch drive voltage at A9TP9.

If the PIN switch drive voltage(s) is correct, go to step 7.

If the PIN switch drive voltage(s) is not correct, replace the A9 PCB.

---



**Table 5-20.** *Error Messages 128, 129, 130, 131, 132, 133, 134, and 135 (3 of 8)*

- Step 7.** Connect a 562 Scalar Network Analyzer to the 682XXB/683XXB as follows:
- a. Connect the 682XXB/683XXB AUX I/O to the 562 AUX I/O.
  - b. Connect the 562 DEDICATED GPIB to the 682XXB/683XXB IEEE-488 GPIB.
  - c. Connect the RF Detector to the 562 Channel A Input.
- Step 8.** Set up the 562 Scalar Network Analyzer as follows:
- a. Press SYSTEM MENU key.
  - b. From System Menu display, select RESET.
  - c. Press CHANNEL 2 DISPLAY: OFF
  - d. Press CHANNEL 1 DISPLAY: ON
  - e. Press CHANNEL 1 MENU key.
  - f. From the Channel 1 Menu display, select POWER.
- Step 9.** Using the scalar network analyzer, measure the RF output at J3 of the switched filter assembly. The amplitude of the RF signal should be >17 dBm throughout the full sweep.
- If the amplitude of the RF signal is correct, replace the down converter assembly.
  - If there is no RF signal or if the amplitude of the RF signal is low, replace the switched filter assembly.
-

**Table 5-20.** Error Messages 128, 129, 130, 131, 132, 133, 134, and 135 (4 of 8)

---

### **Error 129 Switched Filter or Level Detector Failed**

**Description:** Error 129 indicates a failure of either the switched filter or level detector circuitry. The 682XXB/683XXB may or may not produce an RF output in the 2 to 20 GHz frequency range. Thus, there are two troubleshooting paths for this problem—unleveled with output power and unleveled with no/low output power.

**Unleveled with output power** (The warning message **UNLEVELED** appears on the front panel display):

**Step 1.** Set up the 682XXB/683XXB as follows:

a. **682XXB Setup:**

CW/SWEEP SELECT: Step

F1: 0.010 GHz

F2: 20.000 GHz

Number of Steps: 400

L1: +1.00 dBm

**683XXB Setup:**

CW/SWEEP SELECT: Analog

F1: 0.010 GHz

F2: 20.000 GHz

Sweep Time: 0.100 Sec

L1: +1.00 dBm

b. LEVEL/ALC SELECT: ALC Mode

ALC Mode: Ext ALC Front

Leveling Menu: External Detector

**Step 2.** Connect a detector to the 682XXB/683XXB RF OUTPUT connector and connect the detected DC output of the detector to the front panel EXTERNAL ALC IN connector.

- If the warning message **UNLEVELED** no longer appears on the front panel display, replace the directional coupler.
  - If the warning message **UNLEVELED** is still displayed, replace the A10 PCB.
-

**Table 5-20.** *Error Messages 128, 129, 130, 131, 132, 133, 134, and 135 (5 of 8)*

---

**Unleveled with no/low output power:**

**Step 1.** Set up the 682XXB/683XXB as follows:

- a. **682XXB Setup:**
  - CW/SWEEP SELECT: Step
  - F1: 0.010 GHz
  - F2: 20.000 GHz
  - Number of Steps: 400
  - L1: +1.00 dBm
- 683XXB Setup:**
  - CW/SWEEP SELECT: Analog
  - F1: 0.010 GHz
  - F2: 20.000 GHz
  - Sweep Time: 0.100 Sec
  - L1: +1.00 dBm
- b. LEVEL/ALC SELECT: ALC Mode  
Leveling Menu: Internal

**Step 2.** Connect the X input of an oscilloscope to the 682XXB/683XXB rear panel HORIZ OUT connector.

**Step 3.** Using the oscilloscope, check the switched filter bias voltages at A13TP4 and A13TP9. The bias voltage at A13TP4 should be +6 volts; the bias voltage at A13TP9 should be +8 volts. If the 682XXB/683XXB has a SDM installed, also check for a +20 volt PIN switch drive voltage at A9TP9.

- If the bias and the PIN switch drive voltages are correct, go to step 4.
- If the bias voltages are not correct, replace the A13 PCB.
- If the PIN switch drive voltage is not correct, replace the A9 PCB.

**Step 4.** Connect a 562 Scalar Network Analyzer to the 682XXB/683XXB as follows:

- a. Connect the 682XXB/683XXB AUX I/O to the 562 AUX I/O.
  - b. Connect the 562 DEDICATED GPIB to the 682XXB/683XXB IEEE-488 GPIB.
  - c. Connect the RF Detector to the 562 Channel A Input.
-

**Table 5-20.** *Error Messages 128, 129, 130, 131, 132, 133, 134, and 135 (6 of 8)*

---

- Step 5.** Set up the 562 Scalar Network Analyzer as follows:
- a. Press SYSTEM MENU key.
  - b. From System Menu display, select RESET.
  - c. Press CHANNEL 2 DISPLAY: OFF.
  - d. Press CHANNEL 1 DISPLAY: ON.
  - e. Press CHANNEL 1 MENU key.
  - f. From the Channel 1 Menu display, select POWER.
- Step 6.** Using the scalar network analyzer, measure the RF output at J2 of the switched filter assembly. The amplitude of the RF signal should be >+15 dbm (>+20 dBm with Option 15B) throughout the full sweep.
- If the amplitude of the RF signal is correct, check for bad cables.
  - If there is no RF signal or if the amplitude of the RF signal is low, replace the switched filter assembly.
-

**Table 5-20.** *Error Messages 128, 129, 130, 131, 132, 133, 134, and 135 (7 of 8)*

- Error 130 2-3.3 GH Switched Filter**
- Error 131 3.3-5.5 GH Switched Filter**
- Error 132 5.5-8.4 GH Switched Filter**
- Error 133 8.4-13.25 GH Switched Filter**
- Error 134 13.25-20 GH Switched Filter**

**Description:** Each of these error messages indicates a failure in a switched filter path within the switched filter assembly. The 682XXB/683XXB may or may not produce an RF output in the frequency range of the failed switched filter path.

**Step 1.** Set up the 682XXB/683XXB as follows:

- a. **682XXB Setup:**  
 CW/SWEEP SELECT: Step  
 F1: 2.000 GHz  
 F2: 20.000 GHz  
 Number of Steps: 400
- 683XXB Setup:**  
 CW/SWEEP SELECT: Analog  
 F1: 2.000 GHz  
 F2: 20.000 GHz  
 Sweep Time: 0.100 Sec

**Step 2.** Connect the X input of an oscilloscope to the 682XXB/683XXB rear panel HORIZ OUT connector.

- Step 3.** Using the oscilloscope, check for the switched filter PIN switch drive voltages at the test points shown in Table 5-21.
- If the PIN switch drive voltages are correct, replace the switched filter assembly.
  - If the PIN switch drive voltages are incorrect, replace the A9 PCB.

**Table 5-21.** *Switched Filter PIN Switch Drive Voltages*

| Test Point | Active Frequency Range | Active Voltage | Inactive Voltage |
|------------|------------------------|----------------|------------------|
| A9TP18     | 2 to 3.3 GHz           | -2V            | +1V              |
| A9TP10     | 3.3 to 5.5 GHz         | -2V            | +1V              |
| A9TP12     | 5.5 to 8.4 GHz         | -2V            | +1V              |
| A9TP16     | 8.4 to 13.25 GHz       | -2V            | +1V              |
| A9TP21     | 13.25 to 20 GHz        | -2V            | +1V              |
| A9TP17     | 2 to 8.4 GHz           | -2V            | +2V              |

**Table 5-20.** *Error Messages 128, 129, 130, 131, 132, 133, 134, and 135 (8 of 8)*

---

**Error 135 Modulator or Driver Failed**

**Description:** Error 135 indicates a failure of the modulator in the switched filter assembly or the modulator driver circuitry on the A9 PIN Control PCB.

**Step 1.** Replace the A9 PCB and run self-test.

- If error 135 is not displayed, the problem is cleared.
- If error 135 is still displayed, go to step 2.

**Step 2.** Replace the switched filter assembly and run self-test again.

- If error 135 is not displayed, the problem is cleared.
  - If error 135 is still displayed, contact your local ANRITSU service center for assistance.
-

**Table 5-22.** Error Messages 138, 139, 140, and 141 (1 of 2)

---

**Output Power Level Related Problems  
(20 to 40 GHz)  
682XXB/683XXB Models with SDM**

**Error 138 SDM Unit or Driver Failed**

**Description:** Error 138 indicates a failure of the SDM, a failure of the SDM bias regulator circuitry on the A14 SDM Driver PCB, or a failure of the frequency band selection circuitry on the A12 Analog Instruction PCB. The 682XXB/683XXB will not produce an RF output in the 20 to 40 GHz frequency range.

**Step 1.** Set up the 682XXB/683XXB as follows:

- a. **682XXB Setup:**
  - CW/SWEEP SELECT: Step
  - F1: 20.000 GHz
  - F2: 40.000 GHz
  - Number of Steps: 400
  - L1: +1.00 dBm
- 683XXB Setup:**
  - CW/SWEEP SELECT: Analog
  - F1: 20.000 GHz
  - F2: 40.000 GHz
  - Sweep Time: 0.100 Sec
  - L1: +1.00 dBm

**Step 2.** Connect the X input of an oscilloscope to the 682XXB/683XXB rear panel HORIZ OUT connector.

**Step 3.** Using the oscilloscope, check for a +8 volts SDM bias voltage at A14TP2 throughout the full sweep.

- If the SDM bias voltage is correct, replace the SDM.
- If the SDM bias voltage is not correct, go to step 4.

**Step 4.** Replace the A14 PCB and run self-test again.

- If error 138 is not displayed, the problem is cleared.
- If error 138 is still displayed, go to step 5.

**Step 5.** Replace the A12 PCB and run self-test again.

- If error 138 is not displayed, the problem is cleared.
  - If error 138 is still displayed, contact your local ANRITSU service center for assistance.
-

**Table 5-22.** Error Messages 138, 139, 140, and 141 (2 of 2)

**Error 139 32-40 GHz SDM Section Failed**  
**Error 140 25-32 GHz SDM Section Failed**  
**Error 141 20-25 GHz SDM Section Failed**

**Description:** Each of these error messages indicates a failure in a switched doubler filter path within the SDM. The 682XXB/683XXB will not produce an RF output in the frequency range of the failed switched doubler filter path.

**Step 1.** Set up the 682XXB/683XXB as follows:

a. **682XXB Setup:**

CW/SWEEP SELECT: Step  
 F1: 2.000 GHz  
 F2: 40.000 GHz  
 Number of Steps: 400  
 L1: +1.00 dBm

**683XXB Setup:**

CW/SWEEP SELECT: Analog  
 F1: 2.000 GHz  
 F2: 40.000 GHz  
 Sweep Time: 0.100 Sec  
 L1: +1.00 dBm

**Step 2.** Connect the X input of an oscilloscope to the 682XXB/683XXB rear panel HORIZ OUT connector.

**Step 3.** Using the oscilloscope, check the PIN switch drive voltages at A9TP11, A9TP15, and A9TP24 (shown in Table 5-23).

- If the PIN switch drive voltages are correct, replace the SDM.
- If the PIN switch drive voltages are not correct, replace the A9 PCB.

**Table 5-23.** SDM PIN Switch Drive Voltages

| Test Point | Active Frequency Range | Active Voltage | Inactive Voltage |
|------------|------------------------|----------------|------------------|
| A9TP9      | 0.01 to 20 GHz         | +20V           | -15V             |
| A9TP11     | 20 to 25 GHz           | +20V           | -15V             |
| A9TP15     | 25 to 32 GHz           | +20V           | -15V             |
| A9TP24     | 32 to 40 GHz           | +20V           | -15V             |



*Table 5-24. Error Message 144*

---

**Error 144 RF was Off when Selftest started. Some tests were not performed**

**Description:** Indicates that some self-tests were not performed because the RF Output was selected OFF on the front panel.

- Step 1.** Press the OUTPUT key on the front panel to turn the RF Output ON.
- Step 2.** Run self-test again.
- 

*Table 5-25. Error Message 145*

---

**Error 145 AM Meter or associated circuitry failed**

**Description:** Indicates a failure of the internal amplitude modulation function. The 682XXB/683XXB may or may not provide amplitude modulation of the RF output signal using modulating signals from an external source.

- Step 1.** Set up the 682XXB/683XXB as follows:
- a. Press **SYSTEM**, then **Reset**.
  - b. Press **MODULATION**, then **AM** to go to the Internal AM Status display.
  - c. Press **On/Off** to turn internal amplitude modulation on.
- Step 2.** Using an oscilloscope, verify the presence of a 10 volt peak to peak sine wave signal with a period of 100  $\mu$ s at the rear panel AM OUT connector.
- If present, replace the A10 PCB.
  - If not present, replace the A8 PCB.
-

---

**Table 5-26.** Error Message 147

---

**Error 147 Internal FM circuitry failed**

**Description:** Indicates a failure of the internal frequency modulation function. The 682XXB/683XXB may or may not provide frequency modulation of the RF output signal using modulating signals from an external source.

**Step 1.** Set up the 682XXB/683XXB as follows:

- a. Press **SYSTEM**, then **Reset**.
- b. Press **MODULATION**, then **FM** to go to the Internal FM Status display.
- c. Press **On/Off** to turn internal frequency modulation on.

**Step 2.** Using an oscilloscope, verify the presence of a 10 volt peak to peak sine wave signal with a period of 100  $\mu$ s at the rear panel FM OUT connector.

- If present, replace the A11 PCB.
  - If not present, replace the A8 PCB.
- 

**Table 5-27.** Error Message 148 (1 of 2)

---

**Error 148 Pulse 40 MHz reference circuitry failed.**

**Description:** Indicates a failure of the pulse generator 40 MHz oscillator circuitry. The pulse generator may still function; however, the 40 MHz oscillator is not phase locked to the 10 MHz reference time-base. The pulse modulation function may or may not operate. Error 106 (Power Supply not Phase-locked) may also be displayed.

**Step 1.** Disconnect cable W108 at A6J1.

**Step 2.** Using an oscilloscope, verify the presence of a 10 MHz at the end of cable W108.

- If present, replace the A6 PCB.
- If not present, go to step 3.

**Step 3.** Reconnect cable W108 to A6J1 and disconnect it at A5J4.

**Step 4.** Using the oscilloscope, verify the presence of a 10 MHz TTL signal at A5J4.

- If present, replace the cable W108.
  - If not present, go to step 5.
-

**Table 5-27.** *Error Message 148 (2 of 2)*

---

- Step 5.** Reconnect cable W108 to A5J4 and disconnect cable W121 at A5J5.
- Step 6.** Using the oscilloscope, verify the presence of a 10 MHz TTL signal at the end of cable W121.
- If present, replace the A5 PCB.
  - If not present, go to step 7.
- Step 7.** Reconnect cable W121 to A5J5 and disconnect it at A4J7.
- Step 8.** Using the oscilloscope, verify the presence of a 10 MHz TTL signal at A4J7.
- If present, replace the cable W121.
  - If not present, go to step 9.
- Step 9.** Reconnect cable W121 to A4J7 and disconnect cable W105 at A4J6.
- Step 10.** Using the oscilloscope, verify the presence of a 10 MHz TTL signal at the end of cable W105.
- If present, replace the A4 PCB.
  - If not present, go to step 11.
- Step 11.** Reconnect cable W105 to A4J6 and disconnect it at A3J4.
- Step 12.** Using the oscilloscope, verify the presence of a 10 MHz TTL signal at A3J4.
- If present, replace the cable W105.
  - If not present, replace the A3 PCB.
-



# **Chapter 6**

## **Removal and Replacement Procedures**

### **Table of Contents**

---

|     |   |      |
|-----|---|------|
| 6-1 | INTRODUCTION . . . . .  | 6-3  |
| 6-2 | REMOVING AND REPLACING THE CHASSIS<br>COVERS . . . . .              | 6-4  |
|     | Preliminary . . . . .   | 6-4  |
|     | Procedure . . . . .   | 6-4  |
| 6-3 | REMOVING AND REPLACING THE FRONT<br>PANEL ASSEMBLY . . . . .        | 6-6  |
|     | Preliminary . . . . .   | 6-6  |
|     | Procedure . . . . .   | 6-6  |
| 6-4 | REMOVING AND REPLACING THE A3, A4, A5,<br>OR A6 PCB . . . . .       | 6-8  |
|     | Preliminary . . . . .   | 6-8  |
|     | Procedure . . . . .   | 6-8  |
| 6-5 | REMOVING AND REPLACING THE A7 PCB. . .                              | 6-10 |
|     | Preliminary . . . . .   | 6-10 |
|     | Procedure . . . . .   | 6-10 |
| 6-6 | REMOVING AND REPLACING THE A8, A9, A10,<br>A11, OR A12 PCB. . . . . | 6-10 |
|     | Preliminary . . . . .   | 6-10 |
|     | Procedure . . . . .   | 6-10 |
| 6-7 | REMOVING AND REPLACING THE A13, A14,<br>OR A15 PCB . . . . .        | 6-11 |
|     | Preliminary. . . . .  | 6-11 |
|     | Procedure . . . . .   | 6-11 |

**Table of Contents (Continued)**

|      |   |      |
|------|---|------|
| 6-8  | REMOVING AND REPLACING THE A16 OR<br>A17 PCB. . . . .       | 6-11 |
|      | Preliminary. . . . .  | 6-11 |
|      | Procedure . . . . .   | 6-11 |
| 6-9  | REMOVING AND REPLACING THE A18 OR<br>A19 PCB. . . . .       | 6-12 |
|      | Preliminary . . . . .                                       | 6-12 |
|      | Procedure . . . . .   | 6-12 |
| 6-10 | REMOVING AND REPLACING THE REAR<br>PANEL ASSEMBLY . . . . . | 6-13 |
|      | Preliminary . . . . .                                       | 6-13 |
|      | Procedure . . . . .   | 6-13 |
| 6-11 | REMOVING AND REPLACING THE A21 PCB . .                      | 6-16 |
|      | Preliminary . . . . .                                       | 6-16 |
|      | Procedure . . . . .   | 6-16 |
| 6-12 | REMOVING AND REPLACING THE A21-1 PCB .                      | 6-17 |
|      | Preliminary . . . . .                                       | 6-17 |
|      | Procedure . . . . .   | 6-17 |
| 6-13 | REMOVING AND REPLACING THE FAN<br>ASSEMBLY . . . . .        | 6-18 |
|      | Preliminary . . . . .                                       | 6-18 |
|      | Procedure . . . . .   | 6-18 |

# Chapter 6

## Removal and Replacement Procedures

### 6-1 INTRODUCTION

This chapter provides procedures for gaining access to the major 682XXB/683XXB assemblies, subassemblies, and components for troubleshooting or replacement.

#### **WARNING**

Hazardous voltages are present inside the 682XXB/683XXB whenever ac line power is connected. Turn off the unit and remove the line cord before removing any covers or panels. Troubleshooting and repair procedures should only be performed by service personnel who are fully aware of the potential hazards.

#### **CAUTION**

Many subassemblies in the signal generator contain static-sensitive components. Improper handling of these subassemblies may result in damage to the components. **Always** observe the static-sensitive component handling procedures described in Chapter 1, Figure 1-4.

**6-2 REMOVING AND  
REPLACING THE  
CHASSIS COVERS**

Troubleshooting procedures require removal of the top cover. Replacement of some 682XXB/683XXB assemblies and parts require removal of all covers. The following procedure describes this process.

**Preliminary** Disconnect the power cord from the unit.

**Procedure** Remove and replace the chassis covers as follows:

**NOTE**

The screws with green heads have metric threads. When it becomes necessary to replace any of these screws, *always* use the exact replacement green-headed screws (ANRITSU P/N 2000-560) to avoid damage to the instrument.

**Step 1** Using a Phillips screwdriver, remove the screws and the two feet from the top corners at the rear of the instrument (Figure 6-1).

**Step 2** Remove the screw that fastens the top cover to the chassis. (The screw is located at the rear of the instrument.)

**Step 3** Slide the top cover out along the grooves in the chassis and set it aside.

**Step 4** Turn the instrument over so that the bottom cover is on top.

**Step 5** Remove the screws and the two feet from the bottom corners at the rear of the instrument.

**Step 6** Remove the screw that fastens the bottom cover to the chassis. (The screw is located at the rear of the instrument.)

**Step 7** Slide the bottom cover out along the grooves in the chassis and set it aside.

**Step 8** Turn the instrument over to return it to the upright position.

**Step 9** Remove the screws and the carrying handle from the side handle cover. (The two screws fastening the carrying handle through the side handle cover to the chassis are accessible by lifting up the rubber covering at the each end of the handle.)

**Step 10** Remove the screw that fastens the side handle cover to the chassis. (The screw is located at the rear of the instrument.)

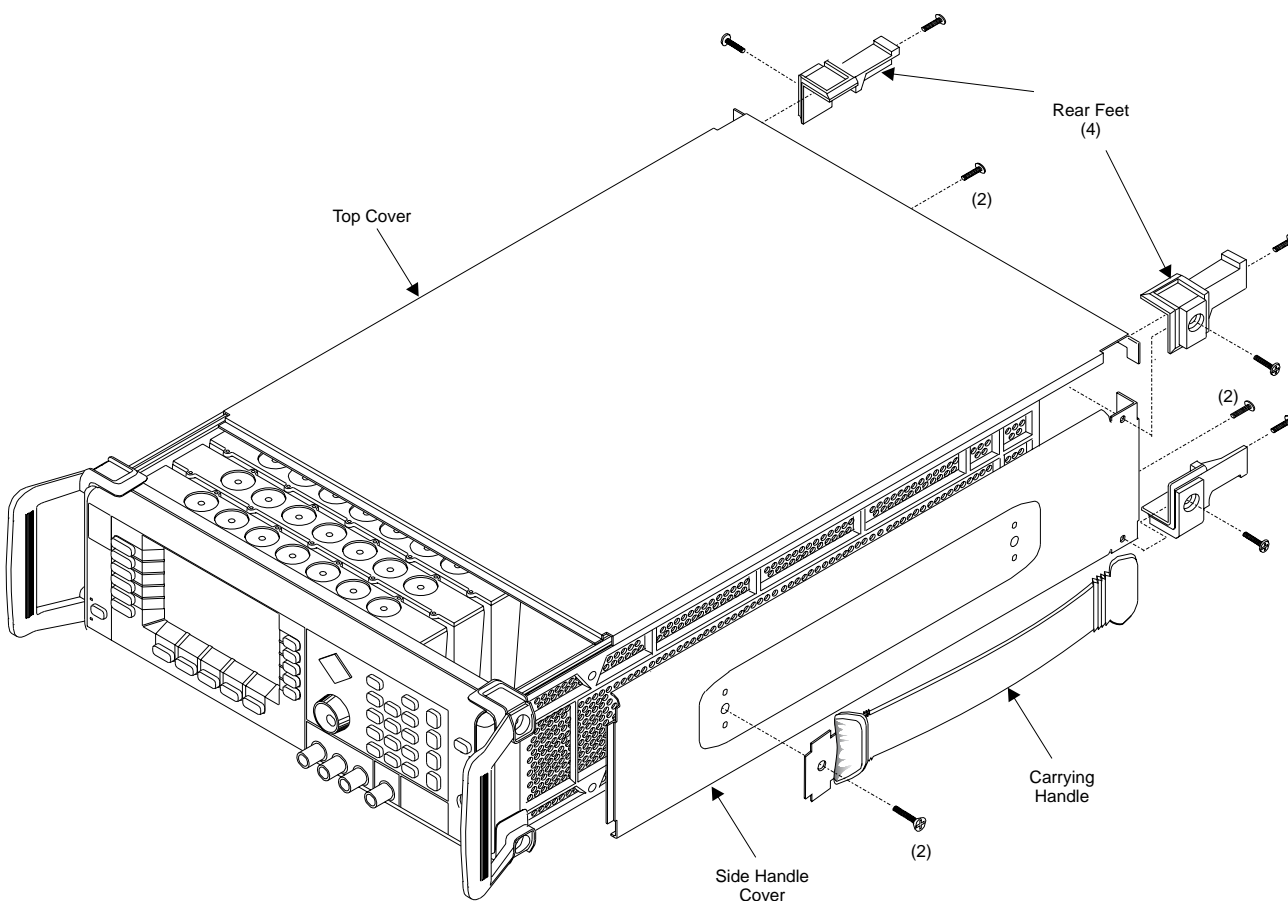
**Step 11** Remove the side handle cover and set it aside.



**Step 12** Remove the screw that fastens the other side cover to the chassis. (The screw is located at the rear of the instrument.)

**Step 13** Remove the side cover and set it aside.

**Step 14** To replace the chassis covers, reverse the procedure used to remove them.



683MM29.CDR

**Figure 6-1.** Chassis Covers Removal

**6-3 REMOVING AND  
REPLACING THE FRONT  
PANEL ASSEMBLY**

This paragraph provides instructions for removing and replacing the front panel assembly of the 682XXB/683XXB. The front panel assembly contains the A1 and A2 Front Panel PCBs. Refer to Figure 6-2 during this procedure.

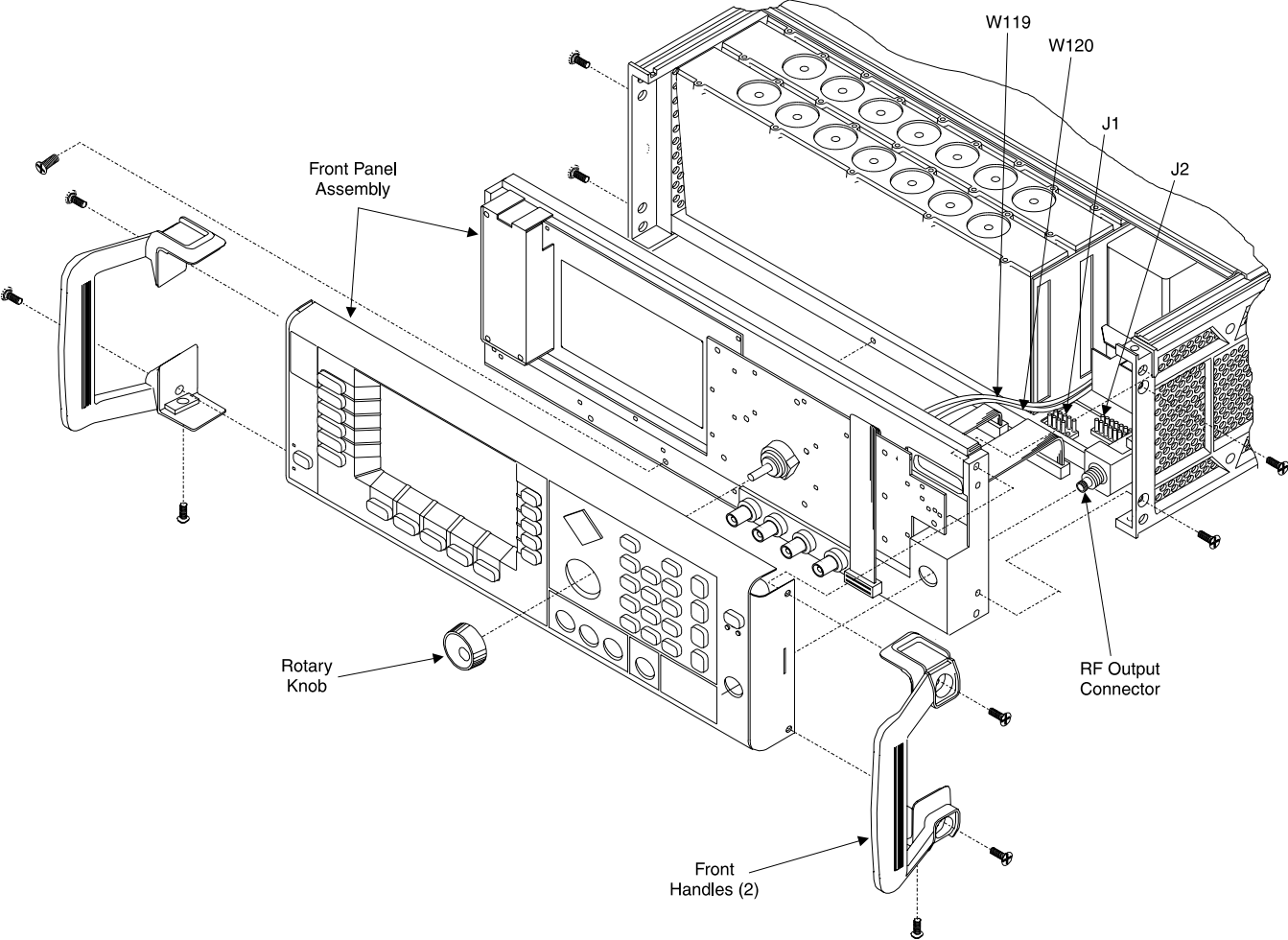
**Preliminary** Disconnect the power cord from the unit and remove the chassis covers as described in paragraph 6-2.

**Procedure** Remove and replace the front panel assembly as follows:

- Step 1** Using a Phillips screwdriver, remove the screws and the front handle assemblies from the instrument. (For instruments not having front handles, remove the screws and the front top and bottom feet from the instrument.)
- Step 2** Remove the rotary knob from the front panel by pulling straight out on it.
- Step 3** Carefully pull the front panel away from the chassis until the screws attaching the front panel assembly to the chassis are accessible.
- Step 4** Remove the screws attaching the front panel assembly to the chassis sides.
- Step 5** Disconnect the front panel ribbon cables from connectors J1 and J22 of the Motherboard.
- Step 6** Turn the instrument upside down.
- Step 7** Remove the screw attaching the front panel assembly to the chassis pan.
- Step 8** Carefully pull the front panel assembly forward until it is clear of the RF OUTPUT connector.
- Step 9** Disconnect the coaxial cables, W119 and W120, from the front panel assembly connectors A2J14 and A2J13 by pulling straight out on the cable connectors.
- Step 10** To replace the front panel assembly, reverse the removal process.

**NOTE**

The screws with green heads have metric threads. When it becomes necessary to replace any of these screws, *always* use the exact replacement green-headed screws (ANRITSU P/N 2000-560) to avoid damage to the instrument.



**Figure 6-2.** Front Panel Assembly Removal

**6-4 REMOVING AND  
REPLACING THE A3, A4,  
A5, OR A6 PCB**

This paragraph provides instructions for removing and replacing the A3 Reference Loop PCB, the A4 Coarse Loop PCB, the A5 Fine Loop PCB, or the A6 Pulse Generator PCB, all of which are located in the RF housing (see Figure 6-3).

**Preliminary** Disconnect the power cord from the unit and remove the top cover as described in paragraph 6-2.

**Procedure** Remove and replace the A3, A4, A5, or A6 PCB as follows:

**Step 1** Disconnect the coaxial cables from the PCB to be removed by lifting up on the cable connectors.

**Step 2** Using a Phillips screwdriver, remove the nine screws that retain the RF housing cover and set aside.

**Step 3** Remove the RF housing cover and set aside.

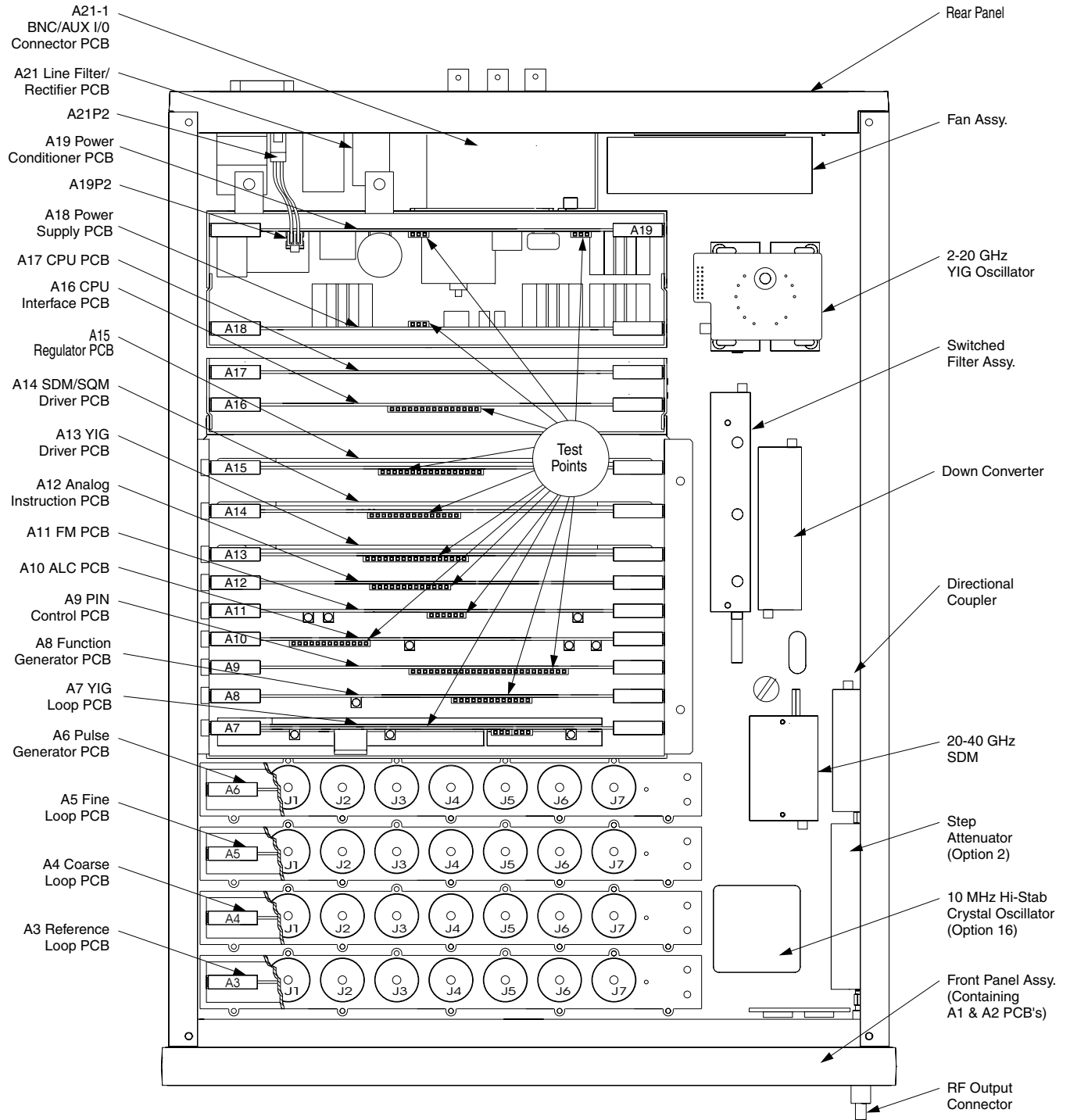
**Step 4** Lift up on the edge tabs of the PCB and lift it out of the RF housing.

**Step 5** Remove the "O" rings installed on each MCX connector and retain them for use on the replacement PCB.

**Step 6** To replace the PCB, reverse the removal process.

# REMOVAL AND REPLACEMENT PROCEDURES

# PCB AND COMPONENT LOCATOR DIAGRAM



**Figure 6-3.** Assembly and Component Locator Diagram

**6-5 REMOVING AND  
REPLACING THE A7 PCB**

This paragraph provides instructions for removing and replacing the A7 YIG Loop PCB, which is located in the main card cage (see Figure 6-3).

**Preliminary** Disconnect the power cord from the unit and remove the top cover as described in paragraph 6-2.

**Procedure** Remove and replace the A7 PCB as follows:

**Step 1** Remove the main card cage cover and set aside.

**Step 2** Using a  $\frac{5}{16}$ -inch wrench, disconnect coaxial cable W31 from the Sampler/SRD module on the PCB.

**Step 3** Disconnect the coaxial cables at A7J1 and A7J5 by lifting up on the cable connectors.

**Step 4** Lift up on the edge tabs of the PCB and lift it out of the card cage.

**Step 5** To replace the A7 PCB, reverse the removal process.

**6-6 REMOVING AND  
REPLACING THE A8, A9,  
A10, A11, OR A12 PCB**

This paragraph provides instructions for removing and replacing the A8 Function Generator PCB, the A9 PIN Control PCB, the A10 ALC PCB, the A11 FM PCB, or the A12 Analog Instruction PCB, all of which are located in the main card cage (see Figure 6-3).

**Preliminary** Disconnect the power cord from the unit and remove the top cover as described in paragraph 6-2.

**Procedure** Remove and replace the A8, A9, A10, A11, or A12 PCB as follows:

**Step 1** Remove the main card cage cover and set aside.

**Step 2** Disconnect any coaxial cables from the PCB to be removed by lifting up on the cable connectors.

**Step 3** Lift up on the edge tabs of the PCB and lift it out of the card cage.

**Step 4** To replace the PCB, reverse the removal process.

**6-7 REMOVING AND  
REPLACING THE A13,  
A14, OR A15 PCB**

This paragraph provides instructions for removing and replacing the A13 YIG Driver PCB, the A14 SDM, SQM Driver PCB, or the A15 Regulator PCB, all of which are located in the main card cage (see Figure 6-3). Each of these PCB assemblies consists of a PCB and a PCB Heat Sink subassembly.

**Preliminary** Disconnect the power cord from the unit and remove the top cover as described in paragraph 6-2.

**Procedure** Remove and replace the A13, A14, or A15 PCB as follows:

**Step 1** Remove the main card cage cover and set aside.

**Step 2** Lift up on the edge tabs of the PCB and lift it out of the card cage.

**Step 3** Using a Phillips screwdriver, remove the two screws that fasten the PCB Heat Sink subassembly to the chassis pan.

**Step 4** Lift the PCB Heat Sink subassembly out of the card cage.

**Step 5** To replace the PCB, reverse the removal process.

**6-8 REMOVING AND  
REPLACING THE A16 OR  
A17 PCB**

This paragraph provides instructions for removing and replacing the A16 CPU Interface PCB or the A17 CPU PCB, both of which are located in the CPU housing assembly (see Figure 6-3).

**Preliminary** Disconnect the power cord from the unit and remove the top cover as described in paragraph 6-2.

**Procedure** Remove and replace the A16 or A17 PCB as follows:

**Step 1** Remove the CPU cover and set aside.

**Step 2** Lift up on the edge tabs of the PCB and lift it out of the CPU housing.

**Step 3** To replace the PCB, reverse the removal process.

**6-9 REMOVING AND  
REPLACING THE A18 OR  
A19 PCB**

This paragraph provides instructions for removing and replacing the A18 Power Supply PCB or the A19 AC Line Conditioner PCB, both of which are located in the power supply housing assembly (see Figure 6-3).

**Preliminary** Disconnect the power cord from the unit and remove the top cover as described in paragraph 6-2.

---

**WARNING**

When power is removed from the instrument, **always** allow five minutes for the capacitors on the A21 Line Filter/Rectifier PCB to discharge before removing either the A18 or A19 PCB.

**Procedure** Remove and replace the A18 or A19 PCB as follows:

**Step 1** Remove the power supply cover and set it aside.

**Step 2** If the A19 PCB is being removed, (1) disconnect the cable assembly from the A21 Line Filter/Rectifier PCB at A19P2 and (2) remove the Nylatch fastener used to secure the PCB to the housing assembly.

**Step 3** Lift up the edge tabs on the PCB and lift it out of the power supply housing.

**Step 4** To replace the PCB, reverse the removal process.



**6-10 REMOVING AND  
REPLACING THE REAR  
PANEL ASSEMBLY**

This paragraph provides instructions for removing and replacing the rear panel assembly of the 682XXB/683XXB. The rear panel assembly contains the A21 Line Filter/Rectifier PCB, the A21-1 BNC/AUX I/O Connector PCB, the line module assembly, and the fan assembly. Refer to Figure 6-4 during this procedure.

**Preliminary** Disconnect the power cord from the unit and remove the chassis covers as described in paragraph 6-2.

---

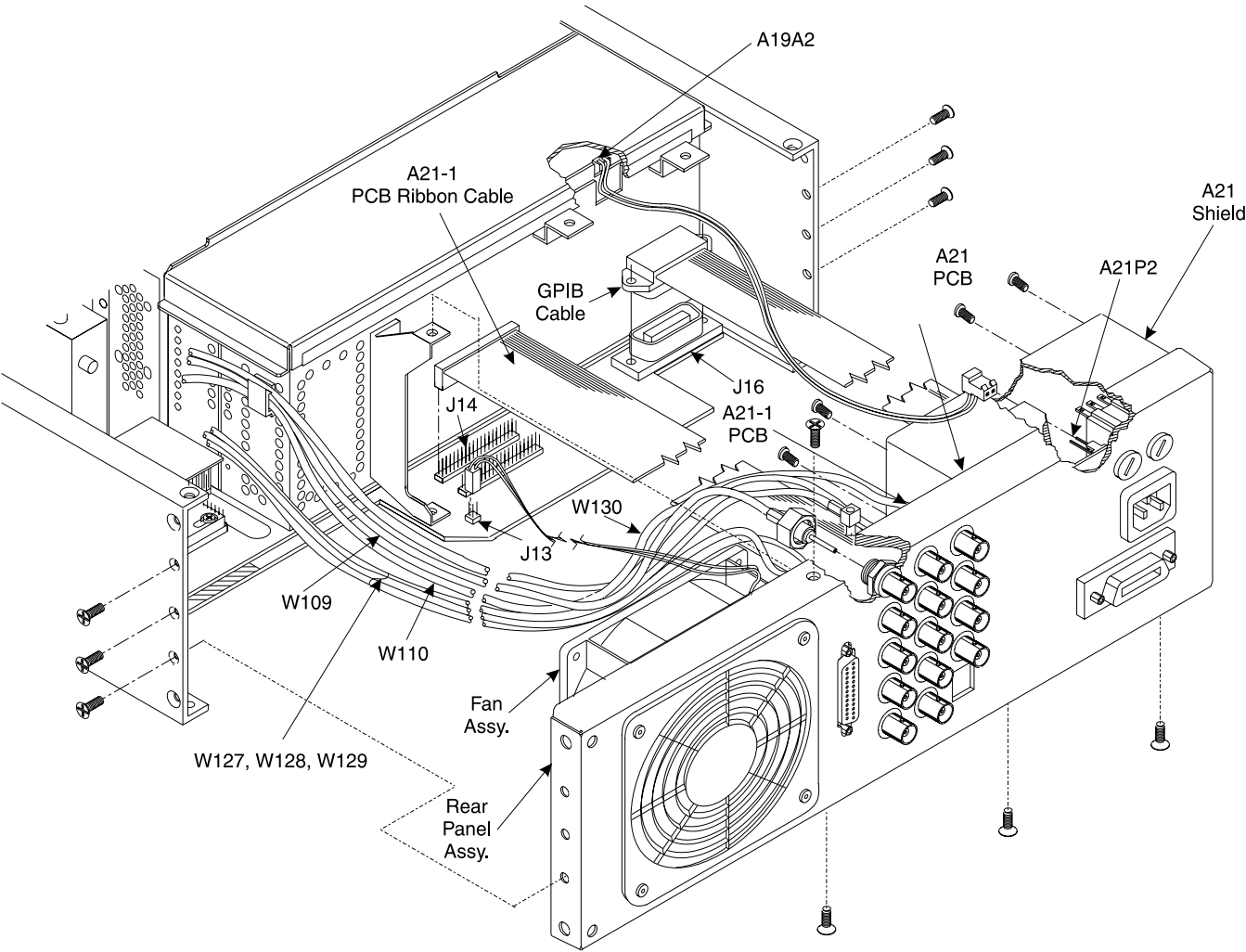
**WARNING**

When power is removed from the instrument, **always** allow five minutes for the capacitors on the A21 Line Filter/Rectifier PCB to discharge before removing the rear panel assembly.

**Procedure** Remove and replace the rear panel assembly as follows:

- Step 1** Using a Phillips screwdriver, remove the screw on the top of the rear panel assembly that fastens the rear panel assembly to the bracket attached to the power supply housing.
- Step 2** Turn the instrument upside down.
- Step 3** Remove the three screws from the rear panel assembly. (One screw fastens the rear panel assembly to the bracket attached to the power supply housing; the other two screws attach the rear panel assembly to the Motherboard.)
- Step 4** Return the instrument to the upright position.
- Step 5** Remove the screws attaching the rear panel assembly to the chassis sides.
- Step 6** Using a  $\frac{7}{16}$ -inch wrench, disconnect the coaxial cables (W110, W109, and W130) going to the rear panel 10 MHz REF IN, 10 MHz REF OUT, and FM IN BNC connectors.
- Step 7** Disconnect the coaxial cables W127, W128, and W129 from the A21-1 PCB by lifting up on the cable connectors.
- Step 8** Remove the power supply cover and set it aside.

- Step 9** Disconnect the cable assembly from the A21 Line Filter/Rectifier PCB at connector P2 on the A19 PCB.
- Step 10** Carefully pull the rear panel assembly away from the signal generator chassis until the cable connections to the Motherboard are accessible.
- Step 11** Disconnect the fan cable connector from J13 on the Motherboard.
- Step 12** Disconnect the A21-1 PCB ribbon cable connector from J14 on the Motherboard.
- Step 13** Disconnect the GPIB cable connector from J16 on the Motherboard.
- Step 14** Carefully pull the rear panel assembly completely free from the 682XXB/683XXB chassis.
- Step 15** To replace the rear panel assembly, reverse the removal process.



**Figure 6-4.** Rear Panel Assembly Removal

**6-11 REMOVING AND  
REPLACING THE  
A21 PCB**

This paragraph provides instructions for removing and replacing the A21 Line Filter/Rectifier PCB, which is located on the rear panel assembly (see Figure 6-4).

**Preliminary** Disconnect the power cord from the unit. Remove the chassis covers as described in paragraph 6-2. Remove the rear panel assembly as described in paragraph 6-10.

---

**WARNING**

When power is removed from the instrument, **always** allow five minutes for the capacitors on the A21 Line Filter/Rectifier PCB to discharge before removing the rear panel assembly.

**Procedure** Remove and replace the A21 PCB as follows:

**Step 1** Using a Phillips screwdriver, remove the four screws that fasten the A21 shield to the A21 PCB.

**Step 2** Remove the shield and set it aside.

**Step 3** Disconnect the cables connected to P1, P2, and P6 on the PCB.

**Step 4** Using a Phillips screwdriver, remove the four screws that fasten the PCB to the rear panel assembly and set aside.

**Step 5** Remove the PCB from the rear panel assembly.

**Step 6** To replace the PCB, reverse the removal process.

**6-12 REMOVING AND  
REPLACING THE  
A21-1 PCB**

This paragraph provides instructions for removing and replacing the A21-1 BNC/AUX I/O Connector PCB, which is located on the rear panel assembly (see Figure 6-4).

**Preliminary** Disconnect the power cord from the unit. Remove the chassis covers as described in paragraph 6-2. Remove the rear panel assembly as described in paragraph 6-10.

---

**WARNING**

When power is removed from the instrument, **always** allow five minutes for the capacitors on the A21 Line Filter/Rectifier PCB to discharge before removing the A21-1 PCB.

**Procedure** Remove and replace the A21-1 PCB as follows:

**Step 1** Using a Phillips screwdriver, remove the four screws that fasten the A21 shield to the A21 PCB.

**Step 2** Remove the shield and set it aside.

**Step 3** Disconnect the ribbon cable connector from the A21-1 PCB.

**Step 4** Using a ANRITSU P/N T1451 tool, remove the dress nuts from the 12 rear panel BNC connectors.

**Step 5** Carefully remove the A21-1 PCB from the rear panel assembly.

**Step 6** To replace the PCB, reverse the removal process.

**6-13 REMOVING AND  
REPLACING THE FAN  
ASSEMBLY**

This paragraph provides instructions for removing and replacing the fan assembly, which is located on the rear panel assembly (see Figure 6-4).

**Preliminary** Disconnect the power cord from the unit. Remove the chassis covers as described in paragraph 6-2. Remove the rear panel assembly as described in paragraph 6-10.

---

**WARNING**

When power is removed from the instrument, **always** allow five minutes for the capacitors on the A21 Line Filter/Rectifier PCB to discharge before removing the rear panel assembly.

**Procedure** Remove and replace the fan assembly as follows:

- Step 1** With the rear panel laying flat, use a Phillips screwdriver to remove the four screws and flat washers that fasten the fan mount to the rear panel.
- Step 2** Lift the fan mount, containing the fan assembly, from the rear panel assembly.
- Step 3** Remove the fan assembly from the fan mount.
- Step 4** Clean the honeycomb fan filter as required before replacing the fan assembly.
- Step 5** To replace the fan assembly, reverse the removal process.

**NOTE**

To ensure proper cooling of the unit, **always** mount the fan assembly with the airflow direction indicator arrow on the fan body pointing toward the interior of the instrument.

# Appendix A

## Test Records

### **A-1** INTRODUCTION

This appendix provides test records for recording the results of the Performance Verification tests (Chapter 3) and the Calibration procedures (Chapter 4). They jointly provide the means for maintaining an accurate and complete record of instrument performance. Test records are provided for all models of the Series 682XXB/683XXB Synthesized Signal Generators. Table A-1 provides the location of each test record in this appendix.

Each test record has been customized to cover a particular 682XXB/683XXB model. It contains specific references to frequency parameters and power levels that are applicable only to that instrument model and its available options.

We recommend that you make a copy of these pages each time the test procedures are performed. By dating each Test Record copy, a detailed history of instrument performance can be accumulated.

**Table A-1.** Test Record Index

| Model Number  | Performance Verification | Calibration      |
|---------------|--------------------------|------------------|
| 68237B/68337B | A-3 thru A-14            | A-15 thru A-18   |
| 68245B/68345B | A-19 thru A-32           | A-33 thru A-36   |
| 68247B/68347B | A-37 thru A-50           | A-51 thru A-54   |
| 68253B/68353B | A-55 thru A-67           | A-69 thru A-72   |
| 68255B/68355B | A-73 thru A-87           | A-89 thru A-92   |
| 68259B/68359B | A-93 thru A-107          | A-109 thru A-112 |
| 68263B/68363B | A-113 thru A-125         | A-127 thru A-130 |
| 68265B/68365B | A-131 thru A-145         | A-147 thru A-150 |
| 68269B/68369B | A-151 thru A-165         | A-167 thru A-170 |
| 68275B/68375B | A-171 thru A-183         | A-185 thru A-188 |
| 68277B/68377B | A-189 thru A-201         | A-203 thru A-206 |
| 68285B/68385B | A-207 thru A-219         | A-221 thru A-224 |
| 68287B/68387B | A-225 thru A-237         | A-239 thru A-242 |
| 68295B/68395B | A-243 thru A-254         | A-255 thru A-258 |
| 68297B/68397B | A-259 thru A-270         | A-271 thru A-274 |





ANRITSU Model 68237B/68337B

Date: \_\_\_\_\_

Serial Number \_\_\_\_\_

Tested By: \_\_\_\_\_

**3-6 Internal Time Base Aging Rate Test**

| <i>Test Procedure</i>                                   | <b>Measured Value</b> | <b>Upper Limit</b>   |
|---|-----------------------|--|
| Record frequency error value . . . . .                  | _____                 |  |
| Record frequency error value (after 24 hours) . . . . . | _____                 |  |
| Record the computed aging rate . . . . .                | _____ per day         | $2 \times 10^{-8}$ per day<br>( $5 \times 10^{-10}$ per day<br>with Option 16) |

**3-7 Frequency Synthesis Tests**

**Coarse Loop/YIG Loop Test Procedure**

| Test Frequency (in GHz) | Measured Value * |
|-------------------------|------------------|
| 2.000 000 000           | _____            |
| 3.000 000 000           | _____            |
| 4.000 000 000           | _____            |
| 5.000 000 000           | _____            |
| 6.000 000 000           | _____            |
| 7.000 000 000           | _____            |
| 8.000 000 000           | _____            |
| 9.000 000 000           | _____            |
| 10.000 000 000          | _____            |
| 11.000 000 000          | _____            |
| 12.000 000 000          | _____            |
| 13.000 000 000          | _____            |
| 14.000 000 000          | _____            |
| 15.000 000 000          | _____            |
| 16.000 000 000          | _____            |
| 17.000 000 000          | _____            |
| 18.000 000 000          | _____            |
| 19.000 000 000          | _____            |
| 20.000 000 000          | _____            |

\* Specification for all frequencies listed above is  $\pm 100$  Hz

**Fine Loop Test Procedure (Standard 68X37B)**

| Test Frequency (in GHz) | Measured Value ** |
|-------------------------|-------------------|
| 2.000 001 000           | _____             |
| 2.000 002 000           | _____             |
| 2.000 003 000           | _____             |
| 2.000 004 000           | _____             |
| 2.000 005 000           | _____             |
| 2.000 006 000           | _____             |
| 2.000 007 000           | _____             |
| 2.000 008 000           | _____             |
| 2.000 009 000           | _____             |
| 2.000 010 000           | _____             |

\*\* Specification for all frequencies listed above is  $\pm 100$  Hz

**Fine Loop Test Procedure (68X37B with Option 11)**

| Test Frequency (in GHz) | Measured Value *** |
|-------------------------|--------------------|
| 2.000 000 100           | _____              |
| 2.000 000 200           | _____              |
| 2.000 000 300           | _____              |
| 2.000 000 400           | _____              |
| 2.000 000 500           | _____              |
| 2.000 000 600           | _____              |
| 2.000 000 700           | _____              |
| 2.000 000 800           | _____              |
| 2.000 000 900           | _____              |
| 2.000 001 000           | _____              |

\*\*\* Specification for all frequencies listed above is  $\pm 10$  Hz

**3-8 Spurious Signals Test: RF Output Signals <2 GHz**

This test is not applicable to the 68237B/68337B model.

**3-9 Harmonic Test: RF Output Signals From 2 to 20 GHz**

**Test Procedure (2 to 10 GHz)**

Set F1 to 2.1 GHz

Record the level of all harmonics of the 2.1 GHz carrier:

|                                  | Measured Value | Upper Limit |
|----------------------------------|----------------|-------------|
| 4.2 GHz (2nd harmonic) . . . . . | _____dBc       | -60 dBc*    |
| 6.3 GHz (3rd harmonic). . . . .  | _____dBc       | -60 dBc*    |
| 8.4 GHz (4th harmonic). . . . .  | _____dBc       | -60 dBc*    |
| 10.5 GHz (5th harmonic). . . . . | _____dBc       | -60 dBc*    |
| 12.6 GHz (6th harmonic). . . . . | _____dBc       | -60 dBc*    |
| 14.7 GHz (7th harmonic). . . . . | _____dBc       | -60 dBc*    |
| 16.8 GHz (8th harmonic). . . . . | _____dBc       | -60 dBc*    |
| 18.9 GHz (9th harmonic). . . . . | _____dBc       | -60 dBc*    |

Set F1 to 3.6 GHz

Record the level of all harmonics of the 3.6 GHz carrier:

|                                  |          |          |
|----------------------------------|----------|----------|
| 7.2 GHz (2nd harmonic) . . . . . | _____dBc | -60 dBc* |
| 10.8 GHz (3rd harmonic). . . . . | _____dBc | -60 dBc* |
| 14.4 GHz (4th harmonic). . . . . | _____dBc | -60 dBc* |
| 18.0 GHz (5th harmonic). . . . . | _____dBc | -60 dBc* |

Set F1 to 7.0 GHz

Record the level of all harmonics of the 7 GHz carrier:

|                                   |          |          |
|-----------------------------------|----------|----------|
| 14.0 GHz (2nd harmonic) . . . . . | _____dBc | -60 dBc* |
|-----------------------------------|----------|----------|

Set F1 to 10.0 GHz

Record the level of all harmonics of the 10 GHz carrier:

|                                   |          |          |
|-----------------------------------|----------|----------|
| 20.0 GHz (2nd harmonic) . . . . . | _____dBc | -60 dBc* |
|-----------------------------------|----------|----------|

\* -50 dBc if Option 15B (High Power) installed.

**3-9 Harmonic Test: RF Output Signals From 2 to 20 GHz (Continued)**

| <i>Test Procedure (11 to 20 GHz)</i>   | <b>Measured Value</b> | <b>Upper Limit</b> |
|--|-----------------------|--------------------|
| Set F1 to 12.4 GHz<br>Record the level of all harmonics of the 12.4 GHz carrier: |                       |                    |
| 24.8 GHz (2nd harmonic) . . . . .  | _____dBc              | -60 dBc*           |
| 37.2 GHz (3rd harmonic). . . . .   | _____dBc              | -60 dBc*           |
| Set F1 to 16.0 GHz<br>Record the level of all harmonics of the 16.0 GHz carrier: |                       |                    |
| 32.0 GHz (2nd harmonic) . . . . .  | _____dBc              | -60 dBc*           |
| Set F1 to 20.0 GHz<br>Record the level of all harmonics of the 20.0 GHz carrier: |                       |                    |
| 40.0 GHz (2nd harmonic) . . . . .  | _____dBc              | -60 dBc*           |

\* -50 dBc if Option 15B (High Power) installed.

**3-10 Single Sideband Phase Noise Test**

| <b>Test Procedure</b>                           | <b>Measured Value</b> | <b>Upper Limit</b> |
|---|-----------------------|--------------------|
| Set F1 to 2.0 GHz                               |                       |                    |
| Record the phase noise levels at these offsets: |                       |                    |
| 100 Hz . . . . .                                | _____dBc              | -77 dBc            |
| 1 kHz . . . . .                                 | _____dBc              | -85 dBc            |
| 10 kHz . . . . .                                | _____dBc              | -83 dBc            |
| 100 kHz . . . . .                               | _____dBc              | -99 dBc            |
| Set F1 to 6.0 GHz                               |                       |                    |
| Record the phase noise levels at these offsets: |                       |                    |
| 100 Hz . . . . .                                | _____dBc              | -75 dBc            |
| 1 kHz . . . . .                                 | _____dBc              | -85 dBc            |
| 10 kHz . . . . .                                | _____dBc              | -83 dBc            |
| 100 kHz . . . . .                               | _____dBc              | -99 dBc            |
| Set F1 to 10.0 GHz                              |                       |                    |
| Record the phase noise levels at these offsets: |                       |                    |
| 100 Hz . . . . .                                | _____dBc              | -70 dBc            |
| 1 kHz . . . . .                                 | _____dBc              | -83 dBc            |
| 10 kHz . . . . .                                | _____dBc              | -80 dBc            |
| 100 kHz . . . . .                               | _____dBc              | -99 dBc            |
| Set F1 to 20.0 GHz                              |                       |                    |
| Record the phase noise levels at these offsets: |                       |                    |
| 100 Hz . . . . .                                | _____dBc              | -63 dBc            |
| 1 kHz . . . . .                                 | _____dBc              | -75 dBc            |
| 10 kHz . . . . .                                | _____dBc              | -75 dBc            |
| 100 kHz . . . . .                               | _____dBc              | -97 dBc            |

**3-11 Power Level Accuracy and Flatness Tests  
(Model 68237B/68337B without Option 2A Step Attenuator)****Power Level Accuracy Test Procedure**

Set F1 to 5.0 GHz

| Set L1 to: | Measured Power * |
|------------|------------------|
| +13 dBm    | _____dBm         |
| +12 dBm    | _____dBm         |
| +11 dBm    | _____dBm         |
| +10 dBm    | _____dBm         |
| + 9 dBm    | _____dBm         |
| + 8 dBm    | _____dBm         |
| + 7 dBm    | _____dBm         |
| + 6 dBm    | _____dBm         |
| + 5 dBm    | _____dBm         |
| + 4 dBm    | _____dBm         |
| + 3 dBm    | _____dBm         |
| + 2 dBm    | _____dBm         |
| + 1 dBm    | _____dBm         |

\* Specification is  $\pm 1.0$  dB.**Power Level Flatness Test Procedure (Step Sweep)**

| Set L1 to: | Max Power | Min Power | Variation ** |
|------------|-----------|-----------|--------------|
| +13.0 dBm  | _____dBm  | _____dBm  | _____dB      |

\*\* Maximum variation is 1.6 dB.

**Power Level Flatness Test Procedure (Analog Sweep) (Model 68337B only)**

| Set L1 to: | Max Power | Min Power | Variation *** |
|------------|-----------|-----------|---------------|
| +13 dBm    | _____dBm  | _____dBm  | _____dB       |

\*\*\* Maximum variation is 2.0 dB (typical, not a specification).

|  |
|--|
| <b>3-11 Power Level Accuracy and Flatness Tests (Continued)<br/>(Model 68237B/68337B with Option 2A Step Attenuator)</b> |
|--|

**Power Level Accuracy Test Procedure**

Set F1 to 5.0 GHz

| Set L1 to: | Measured Power * |
|------------|------------------|
| +11 dBm    | _____dBm         |
| +10 dBm    | _____dBm         |
| + 9 dBm    | _____dBm         |
| + 8 dBm    | _____dBm         |
| + 7 dBm    | _____dBm         |
| + 6 dBm    | _____dBm         |
| + 5 dBm    | _____dBm         |
| + 4 dBm    | _____dBm         |
| + 3 dBm    | _____dBm         |
| + 2 dBm    | _____dBm         |
| + 1 dBm    | _____dBm         |
| + 0 dBm    | _____dBm         |
| - 1 dBm    | _____dBm         |

\* Specification is  $\pm 1.0$  dB.**Power Level Flatness Test Procedure (Step Sweep)**

| Set L1 to: | Max Power | Min Power | Variation ** |
|------------|-----------|-----------|--------------|
| +11 dBm    | _____dBm  | _____dBm  | _____dB      |

\*\* Maximum variation is 1.6 dB.

**Power Level Flatness Test Procedure (Analog Sweep) (Model 68337B only)**

| Set L1 to: | Max Power | Min Power | Variation *** |
|------------|-----------|-----------|---------------|
| +11 dBm    | _____dBm  | _____dBm  | _____dB       |

\*\*\* Maximum variation is 6.0 dB (typical, not a specification).

**3-11 Power Level Accuracy and Flatness Tests (Continued)  
(Model 68237B/68337B with Option 15B High Power & without Option 2A Step Attenuator)****Power Level Accuracy Test Procedure**

Set F1 to 5.0 GHz

| Set L1 to: | Measured Power * |
|------------|------------------|
| +17 dBm    | _____dBm         |
| +16 dBm    | _____dBm         |
| +15 dBm    | _____dBm         |
| +14 dBm    | _____dBm         |
| +13 dBm    | _____dBm         |
| +12 dBm    | _____dBm         |
| +11 dBm    | _____dBm         |
| +10 dBm    | _____dBm         |
| + 9 dBm    | _____dBm         |
| + 8 dBm    | _____dBm         |
| + 7 dBm    | _____dBm         |
| + 6 dBm    | _____dBm         |
| + 5 dBm    | _____dBm         |

\* Specification is  $\pm 1.0$  dB.**Power Level Flatness Test Procedure (Step Sweep)**

| Set L1 to: | Max Power | Min Power | Variation ** |
|------------|-----------|-----------|--------------|
| +17 dBm    | _____dBm  | _____dBm  | _____dB      |

\*\* Maximum variation is 1.6 dB.

**Power Level Flatness Test Procedure (Analog Sweep) (Model 68337B only)**

| Set L1 to: | Max Power | Min Power | Variation *** |
|------------|-----------|-----------|---------------|
| +17 dBm    | _____dBm  | _____dBm  | _____dB       |

\*\*\* Maximum variation is 2.0 dB (typical, not a specification).



|  |
|--|
| <b>3-11 Power Level Accuracy And Flatness Tests (Continued)<br/>(Model 68237B/68337B with Option 15B High Power &amp; Option 2A Step Attenuator)</b> |
|--|

**Power Level Accuracy Test Procedure**

Set F1 to 5.0 GHz

| Set L1 to: | Measured Power * |
|------------|------------------|
| +15 dBm    | _____dBm         |
| +14 dBm    | _____dBm         |
| +13 dBm    | _____dBm         |
| +12 dBm    | _____dBm         |
| +11 dBm    | _____dBm         |
| +10 dBm    | _____dBm         |
| + 9 dBm    | _____dBm         |
| + 8 dBm    | _____dBm         |
| + 7 dBm    | _____dBm         |
| + 6 dBm    | _____dBm         |
| + 5 dBm    | _____dBm         |
| + 4 dBm    | _____dBm         |
| + 3 dBm    | _____dBm         |

\* Specification is  $\pm 1.0$  dB.**Power Level Flatness Test Procedure (Step Sweep)**

| Set L1 to: | Max Power | Min Power | Variation ** |
|------------|-----------|-----------|--------------|
| +15 dBm    | _____dBm  | _____dBm  | _____dB      |

\*\* Maximum variation is 1.6 dB.

**Power Level Flatness Test Procedure (Analog Sweep) (Model 68337B only)**

| Set L1 to: | Max Power | Min Power | Variation *** |
|------------|-----------|-----------|---------------|
| +15 dBm    | _____dBm  | _____dBm  | _____dB       |

\*\*\* Maximum variation is 6.0 dB (typical, not a specification).

**3-12 Amplitude Modulation Test**

| <b>AM Input Sensitivity Procedure</b>                                 | <b>Lower Limit</b> | <b>Measured Value</b> | <b>Upper Limit</b> |
|---|--------------------|-----------------------|--------------------|
| Set F1 to 5.0 GHz   |                    |                       |                    |
| Measure and record the Modulation Analyzer AM PK(+) reading . . . . . |                    | _____                 |                    |
| Measure and record the Modulation Analyzer AM PK(-) reading . . . . . |                    | _____                 |                    |
| Calculate and record the actual AM input sensitivity . . . . .        | 45%                | _____ %               | 55%                |

**3-13 Frequency Modulation Tests**

| <b>FM Input Sensitivity Procedure<br/>(Unlocked Wide FM Mode)</b>  | <b>Lower Limit</b> | <b>Measured Value</b> | <b>Upper Limit</b> |
|--|--------------------|-----------------------|--------------------|
| Set F1 to 5.0 GHz  |                    |                       |                    |
| Measure and record the low carrier frequency . . . . .             |                    | _____ MHz             |                    |
| Measure and record the high carrier frequency . . . . .            |                    | _____ MHz             |                    |
| Calculate and record the actual peak-to-peak frequency deviation . | 190 MHz            | _____ MHz             | 210 MHz            |

| <b>FM Input Sensitivity Procedure<br/>(Unlocked Narrow FM Mode)</b>        |       |           |        |
|--|-------|-----------|--------|
| Set F1 to 5.0 GHz  |       |           |        |
| Record the FM deviation frequency displayed on the 68237B/68337B . . . . . |       | _____ MHz |        |
| Calculate and record the FM accuracy . . . . .                             | 93.7% | _____ %   | 106.3% |

| <b>FM Input Sensitivity Procedure<br/>(Locked FM Mode)</b>                 |       |           |        |
|--|-------|-----------|--------|
| Set F1 to 5.0 GHz  |       |           |        |
| Record the FM deviation frequency displayed on the 68237B/68337B . . . . . |       | _____ MHz |        |
| Calculate and record the FM accuracy . . . . .                             | 93.7% | _____ %   | 106.3% |

**3-13 Frequency Modulation Tests (Continued)**

**FM Input Sensitivity Procedure  
(Locked Low-Noise FM Mode)**

|  | Lower Limit | Measured Value | Upper Limit |
|--|-------------|----------------|-------------|
| Set F1 to 5.0 GHz  |             |                |             |
| Record the FM deviation frequency displayed on the 68237B/68337B . . . . . |             | _____ MHz      |             |
| Calculate and record the FM accuracy . . . . .                             | 93.7%       | _____ %        | 106.3%      |

**3-14 Pulse Modulation Tests: Rise Time, Fall Time, Overshoot, and Level**

**Rise Time, Fall Time, and Overshoot**

|                                   | Lower Limit | Measured Value | Upper Limit |
|-----------------------------------|-------------|----------------|-------------|
| Set F1 to 5.0 GHz                 |             |                |             |
| Measure and record the following: |             |                |             |
| Rise Time . . . . .               | N/A         | _____ ns       | 10 ns       |
| Pulse Width . . . . .             | -10 ns      | _____ $\mu$ s  | +10 ns      |
| PRI (period) . . . . .            | -10 ns      | _____ ms       | +10 ns      |
| Overshoot . . . . .               | N/A         | _____ %        | 10%         |

**Pulse Level Accuracy (5 GHz, Pulse Width = 0.5  $\mu$ s)**

|   |         |           |         |
|---|---------|-----------|---------|
| Set F1 to 5.0 GHz   |         |           |         |
| Set pulse width W1 to 0.5 $\mu$ s                         |         |           |         |
| Record the displayed output level L1 (step 5.b) . . . . . |         | _____ dBm |         |
| Record the displayed output level L1 (step 5.d) . . . . . |         | _____ dBm |         |
| Calculate and record the pulse level error. . . . .       | -1.0 dB | _____ dB  | +1.0 dB |

**Pulse Level Accuracy (5 GHz, Pulse Width = 5.0  $\mu$ s)**

|   |         |           |         |
|---|---------|-----------|---------|
| Set F1 to 5.0 GHz   |         |           |         |
| Set pulse width W1 to 5.0 $\mu$ s                         |         |           |         |
| Record the displayed output level L1 (step 5.b) . . . . . |         | _____ dBm |         |
| Record the displayed output level L1 (step 5.d) . . . . . |         | _____ dBm |         |
| Calculate and record the pulse level error. . . . .       | -0.5 dB | _____ dB  | +0.5 dB |

**3-15 Pulse Modulation Test: Video Feedthrough**

| <b>Test Procedure</b>   | <b>Lower Limit</b> | <b>Measured Value</b> | <b>Upper Limit</b> |
|---|--------------------|-----------------------|--------------------|
| Set F1 to 5.0 GHz<br>Set pulse width W1 to 5.0 $\mu$ s<br>Set PRI (period) to 0.01 ms |                    |                       |                    |
| Measure and record the Video Feedthrough voltage spikes . . . . .                     | -10 mV             | _____ mV              | +10 mV             |

**3-16 Pulse Modulation Test: RF On/Off Ratio**

| <b>Test Procedure</b>  | <b>Lower Limit</b> | <b>Measured Value</b> | <b>Upper Limit</b> |
|--|--------------------|-----------------------|--------------------|
| Set F1 to 5.0 GHz  |                    |                       |                    |
| Measure and record the peak of the signal on the Spectrum Analyzer. (Measured signal must be >60 dB below top graticule to meet specification; this represents an On/Off Ratio of >80 dB.) . | 60 dB              | _____ dB              | N/A                |

**3-17 Phase Modulation Tests**

| <b><math>\Phi</math>M Input Sensitivity Procedure<br/>(Wide <math>\Phi</math>M Mode)</b> | <b>Lower Limit</b> | <b>Measured Value</b> | <b>Upper Limit</b> |
|--|--------------------|-----------------------|--------------------|
| Set F1 to 5.0 GHz  |                    |                       |                    |
| Record the $\Phi$ M deviation displayed on the 68237B/68337B . . . . .                   |                    | _____ rad             |                    |
| Calculate and record the $\Phi$ M accuracy . . . . .                                     | 93.7%              | _____ %               | 106.3%             |

| <b><math>\Phi</math>M Input Sensitivity Procedure<br/>(Narrow <math>\Phi</math>M Mode)</b> | <b>Lower Limit</b> | <b>Measured Value</b> | <b>Upper Limit</b> |
|--|--------------------|-----------------------|--------------------|
| Set F1 to 5.0 GHz  |                    |                       |                    |
| Record the $\Phi$ M deviation displayed on the 68237B/68337B . . . . .                     |                    | _____ rad             |                    |
| Calculate and record the $\Phi$ M accuracy . . . . .                                       | 93.7%              | _____ %               | 106.3%             |

ANRITSU Model 68237B/68337B

Date: \_\_\_\_\_

Serial Number \_\_\_\_\_

Calibrated By: \_\_\_\_\_

**4-7 Preliminary Calibration**

***Procedure Step***

**Step Completion**

- 1. Internal DVM Calibration (calterm119) . . . . . \_\_\_\_\_
- 2. Coarse Loop Pretune DAC Calibration (calterm 137) . . . . . \_\_\_\_\_
- 3. Fine Loop Pretune DAC Calibration (calterm 136). . . . . \_\_\_\_\_
- 4. Sweep Time DAC Calibration (calterm 132) . . . . . \_\_\_\_\_
- 5. YIG Frequency Offset DAC Calibration (calterm 134) . . . . . \_\_\_\_\_
- 6. YIG Frequency Linearizer DACs Calibration (calterm 127) . . . . . \_\_\_\_\_
- 7. 100 MHz Reference Oscillator Calibration (calterm 130) . . . . . \_\_\_\_\_
- 8. Ramp Center DAC Calibration (calterm 129) . . . . . \_\_\_\_\_
- 9. Sweep Width DAC Calibration (calterm 133) . . . . . \_\_\_\_\_
- 10. Center Frequency DAC Calibration (calterm 114) . . . . . \_\_\_\_\_
- 11. Store the Calibration Data . . . . . \_\_\_\_\_

**4-8 Switched Filter Shaper Calibration**

***Log Amplifier Zero Calibration***

**Step Completion**

- 1. Log Amplifier Zero Calibration (calterm 115) . . . . . \_\_\_\_\_

***Limiter DAC Adjustment (Model 68237B/68337B's with Option 15B)***

- 2. Limiter DAC Adjustment (calterm 145). . . . . \_\_\_\_\_

***Shaper DAC Adjustment***

- 2. Shaper DAC Adjustment (calterm 138) . . . . . \_\_\_\_\_
- 3. Store the Calibration Data . . . . . \_\_\_\_\_

**4-9 RF Level Calibration**

This calibration is performed using an automatic test system. Contact ANRITSU Customer Service for further information.

**4-10 ALC Slope Calibration (68337B having Firmware Version 1.01 to 2.00)**

| <i>Procedure Step</i>   | <b>Step Completion</b> |
|---|------------------------|
| 5. ALC Slope DAC adjustment for $\leq 2$ GHz<br>(This step is not applicable to the 68337B) . . . . . | _____ <u>N/A</u> _____ |
| 9. ALC Slope DAC adjustment for $> 2$ GHz . . . . .   | _____                  |
| 10. Store the DAC setting value(s) . . . . .  | _____                  |

**4-10 ALC Slope Calibration (68337B having Firmware Version 2.00 and above)**

| <i>Procedure Step</i>                       | <b>Step Completion</b> |
|---|------------------------|
| 5. ALC Slope DAC adjustment . . . . .       | _____                  |
| 6. Store the DAC setting value(s) . . . . . | _____                  |

**4-11 ALC Bandwidth Calibration**

| <i>Procedure Step</i>                                | <b>Step Completion</b> |
|--|------------------------|
| 1. ALC Bandwidth Calibration (Calterm 110) . . . . . | _____                  |
| 2. Store the Calibration Data . . . . .              | _____                  |

**4-12 AM Calibration**

| <i>Procedure Step</i>  | <b>Step Completion</b> |
|--|------------------------|
| 2. Linear AM Calibration (calterm 112) . . . . .             | _____                  |
| 3. Log AM Calibration (calterm 113) . . . . .                | _____                  |
| 4. AM Meter Calibration (calterm 147) . . . . .              | _____                  |
| 5. AM Function Generator Calibration (calterm 146) . . . . . | _____                  |
| 6. Store the Calibration Data . . . . .                      | _____                  |

**4-13 FM Calibration (68237B/68337B with Firmware Version 1.01 to 2.10)**

| <b>Procedure Step</b>   | <b>Step Completion</b> |
|---|------------------------|
| 1. FM Meter Calibration (calterm 123) . . . . .                       | _____                  |
| 2. FM Offset Balance Calibration (calterm 126) . . . . .              | _____                  |
| 3. External FM Wide Sensitivity Calibration (calterm 124) . . . . .   | _____                  |
| 4. External FM Narrow Sensitivity Calibration (calterm 125) . . . . . | _____                  |
| 5. Internal FM Wide Sensitivity Calibration (calterm 143) . . . . .   | _____                  |
| 6. Internal FM Narrow Sensitivity Calibration (calterm 144) . . . . . | _____                  |
| 7. Store the Calibration Data . . . . .                               | _____                  |

**4-13 FM Calibration (68237B with Firmware Version 2.18 and above;  
68337B with Firmware Version 2.20 and above)**

| <b>Procedure Step</b>   | <b>Step Completion</b> |
|---|------------------------|
| 1. FM Meter Calibration (calterm 123) . . . . .   | _____                  |
| 2. FM Variable Gain Linearity Calibration (calterm 148) . . . . .   | _____                  |
| 3. External Unlocked Wide FM Mode Sensitivity Calibration (calterm 124) . . . . .                                   | _____                  |
| 4. Internal Unlocked Wide FM Mode Sensitivity Calibration (calterm 143) . . . . .                                   | _____                  |
| 5. External Locked, Locked Low-Noise, and Unlocked Narrow FM Mode Sensitivity<br>Calibration (calterm 125). . . . . | _____                  |
| 6. Internal Locked, Locked Low-Noise, and Unlocked Narrow FM Mode Sensitivity<br>Calibration (calterm 144). . . . . | _____                  |
| 7. FM Rear Panel Input Gain Calibration (calterm 154) . . . . .   | _____                  |
| 8. Store the Calibration Data . . . . .   | _____                  |

**4-14 Phase Modulation ( $\Phi$ M) Calibration (Option 6)**

| <b>Procedure Step</b>  | <b>Step Completion</b> |
|--|------------------------|
| 1. External Wide $\Phi$ M Mode Sensitivity Calibration (calterm 149) . . . . .   | _____                  |
| 2. Internal Wide $\Phi$ M Mode Sensitivity Calibration (calterm 151) . . . . .   | _____                  |
| 3. Wide $\Phi$ M Mode Flatness Calibration (calterm 155) . . . . .               | _____                  |
| 4. External Narrow $\Phi$ M Mode Sensitivity Calibration (calterm 150) . . . . . | _____                  |
| 5. Internal Narrow $\Phi$ M Mode Sensitivity Calibration (calterm 152) . . . . . | _____                  |
| 6. Narrow $\Phi$ M Mode Flatness Calibration (calterm 156) . . . . .             | _____                  |
| 7. Store the Calibration Data . . . . .  | _____                  |



ANRITSU Model 68245B/68345B

Date: \_\_\_\_\_

Serial Number \_\_\_\_\_

Tested By: \_\_\_\_\_

**3-6 Internal Time Base Aging Rate Test**

| <i>Test Procedure</i>                                   | <b>Measured Value</b> | <b>Upper Limit</b>   |
|---|-----------------------|--|
| Record frequency error value . . . . .                  | _____                 |  |
| Record frequency error value (after 24 hours) . . . . . | _____                 |  |
| Record the computed aging rate . . . . .                | _____per day          | $2 \times 10^{-8}$ per day<br>( $5 \times 10^{-10}$ per day<br>with Option 16) |

**3-7 Frequency Synthesis Tests**

**Coarse Loop/YIG Loop Test Procedure**

| Test Frequency (in GHz) | Measured Value * |
|-------------------------|------------------|
| 1.000 000 000           | _____            |
| 2.000 000 000           | _____            |
| 3.000 000 000           | _____            |
| 4.000 000 000           | _____            |
| 5.000 000 000           | _____            |
| 6.000 000 000           | _____            |
| 7.000 000 000           | _____            |
| 8.000 000 000           | _____            |
| 9.000 000 000           | _____            |
| 10.000 000 000          | _____            |
| 11.000 000 000          | _____            |
| 12.000 000 000          | _____            |
| 13.000 000 000          | _____            |
| 14.000 000 000          | _____            |
| 15.000 000 000          | _____            |
| 16.000 000 000          | _____            |
| 17.000 000 000          | _____            |
| 18.000 000 000          | _____            |
| 19.000 000 000          | _____            |
| 20.000 000 000          | _____            |

\* Specification for all frequencies listed above is  $\pm 100$  Hz.

**Fine Loop Test Procedure (Standard 68X45B)**

| Test Frequency (in GHz) | Measured Value ** |
|-------------------------|-------------------|
| 1.000 001 000           | _____             |
| 1.000 002 000           | _____             |
| 1.000 003 000           | _____             |
| 1.000 004 000           | _____             |
| 1.000 005 000           | _____             |
| 1.000 006 000           | _____             |
| 1.000 007 000           | _____             |
| 1.000 008 000           | _____             |
| 1.000 009 000           | _____             |
| 1.000 010 000           | _____             |

\*\* Specifications for all frequencies listed above is  $\pm 100$  Hz

**Fine Loop Test Procedure (68X45B with Option 11)**

| Test Frequency (in GHz) | Measured Value *** |
|-------------------------|--------------------|
| 1.000 000 100           | _____              |
| 1.000 000 200           | _____              |
| 1.000 000 300           | _____              |
| 1.000 000 400           | _____              |
| 1.000 000 500           | _____              |
| 1.000 000 600           | _____              |
| 1.000 000 700           | _____              |
| 1.000 000 800           | _____              |
| 1.000 000 900           | _____              |
| 1.000 001 000           | _____              |

\*\*\* Specification for all frequencies listed above is  $\pm 10$  Hz.

**3-8 Spurious Signals Test: RF Output Signals  $\leq 2.2$  GHz**

| <b>Test Procedure</b>                                     | <b>Measured Value</b> | <b>Upper Limit</b> |
|---|-----------------------|--------------------|
| Set F1 to 500 MHz   |                       |                    |
| Record the level of all harmonics of the 500 MHz carrier  |                       |                    |
| 1.0 GHz (2nd harmonic) . . . . .                          | _____dBc              | -50 dBc            |
| 1.5 GHz (3rd harmonic). . . . .                           | _____dBc              | -50 dBc            |
| 2.0 GHz (4th harmonic). . . . .                           | _____dBc              | -50 dBc            |
| 2.5 GHz (5th harmonic). . . . .                           | _____dBc              | -50 dBc            |
| Set F1 to 800 MHz   |                       |                    |
| Record the level of all harmonics of the 800 MHz carrier: |                       |                    |
| 1.6 GHz (2nd harmonic) . . . . .                          | _____dBc              | -50 dBc            |
| 2.4 GHz (3rd harmonic). . . . .                           | _____dBc              | -50 dBc            |
| 3.2 GHz (4th harmonic). . . . .                           | _____dBc              | -50 dBc            |
| 4.0 GHz (5th harmonic). . . . .                           | _____dBc              | -50 dBc            |
| Set F1 to 1.3 GHz   |                       |                    |
| Record the level of all harmonics of the 1.3 GHz carrier: |                       |                    |
| 2.6 GHz (2nd harmonic) . . . . .                          | _____dBc              | -50 dBc            |
| 3.9 GHz (3rd harmonic). . . . .                           | _____dBc              | -50 dBc            |
| 5.2 GHz (4th harmonic). . . . .                           | _____dBc              | -50 dBc            |
| 6.5 GHz (5th harmonic). . . . .                           | _____dBc              | -50 dBc            |
| Set F1 to 2.1 GHz   |                       |                    |
| Record the level of all harmonics of the 2.1 GHz carrier: |                       |                    |
| 4.2 GHz (2nd harmonic) . . . . .                          | _____dBc              | -50 dBc            |
| 6.3 GHz (3rd harmonic). . . . .                           | _____dBc              | -50 dBc            |
| 8.2 GHz (4th harmonic). . . . .                           | _____dBc              | -50 dBc            |
| 10.2 GHz (5th harmonic). . . . .                          | _____dBc              | -50 dBc            |

**3-9 Harmonic Test: RF Output Signals From 2.2 to 20 GHz**

| <b>Test Procedure (2.2 to 10 GHz)</b>  | <b>Measured Value</b> | <b>Upper Limit</b> |
|--|-----------------------|--------------------|
| Set F1 to 2.4 GHz<br>Record the level of all harmonics of the 2.4 GHz carrier: |                       |                    |
| 4.8 GHz (2nd harmonic) . . . . .   | _____dBc              | -60 dBc*           |
| 7.2 GHz (3rd harmonic) . . . . .   | _____dBc              | -60 dBc*           |
| 9.6 GHz (4th harmonic) . . . . .   | _____dBc              | -60 dBc*           |
| 12.0 GHz (5th harmonic) . . . . .  | _____dBc              | -60 dBc*           |
| 14.4 GHz (6th harmonic) . . . . .  | _____dBc              | -60 dBc*           |
| 16.8 GHz (7th harmonic) . . . . .  | _____dBc              | -60 dBc*           |
| 19.2 GHz (8th harmonic) . . . . .  | _____dBc              | -60 dBc*           |
| Set F1 to 3.6 GHz<br>Record the level of all harmonics of the 3.6 GHz carrier: |                       |                    |
| 7.2 GHz (2nd harmonic) . . . . .   | _____dBc              | -60 dBc*           |
| 10.8 GHz (3rd harmonic) . . . . .  | _____dBc              | -60 dBc*           |
| 14.4 GHz (4th harmonic) . . . . .  | _____dBc              | -60 dBc*           |
| 18.0 GHz (5th harmonic) . . . . .  | _____dBc              | -60 dBc*           |
| Set F1 to 7.0 GHz<br>Record the level of all harmonics of the 7 GHz carrier:   |                       |                    |
| 14.0 GHz (2nd harmonic) . . . . .  | _____dBc              | -60 dBc*           |
| Set F1 to 10.0 GHz<br>Record the level of all harmonics of the 10 GHz carrier: |                       |                    |
| 20.0 GHz (2nd harmonic) . . . . .  | _____dBc              | -60 dBc*           |

\* -50 dBc if Option 15B (High Power) installed.

**3-9 Harmonic Test: RF Output Signals From 2.2 to 20 GHz (Continued)**

| <i>Test Procedure (11 to 20 GHz)</i>   | <b>Measured Value</b> | <b>Upper Limit</b> |
|--|-----------------------|--------------------|
| Set F1 to 12.4 GHz<br>Record the level of all harmonics of the 12.4 GHz carrier: |                       |                    |
| 24.8 GHz (2nd harmonic) . . . . .  | _____dBc              | -60 dBc*           |
| 37.2 GHz (3rd harmonic). . . . .   | _____dBc              | -60 dBc*           |
| Set F1 to 16.0 GHz<br>Record the level of all harmonics of the 16.0 GHz carrier: |                       |                    |
| 32.0 GHz (2nd harmonic) . . . . .  | _____dBc              | -60 dBc*           |
| Set F1 to 20.0 GHz<br>Record the level of all harmonics of the 20.0 GHz carrier: |                       |                    |
| 40.0 GHz (2nd harmonic) . . . . .  | _____dBc              | -60 dBc*           |

\* -50 dBc if Option 15B (High Power) installed.

**3-10 Single Sideband Phase Noise Test**

| <b>Test Procedure</b>                           | <b>Measured Value</b> | <b>Upper Limit</b> |
|---|-----------------------|--------------------|
| Set F1 to 0.6 GHz                               |                       |                    |
| Record the phase noise levels at these offsets: |                       |                    |
| 100 Hz . . . . .                                | _____ dBc             | -84 dBc            |
| 1 kHz . . . . .                                 | _____ dBc             | -97 dBc            |
| 10 kHz . . . . .                                | _____ dBc             | -95 dBc            |
| 100 kHz . . . . .                               | _____ dBc             | -112 dBc           |
| Set F1 to 2.0 GHz                               |                       |                    |
| Record the phase noise levels at these offsets: |                       |                    |
| 100 Hz . . . . .                                | _____ dBc             | -78 dBc            |
| 1 kHz . . . . .                                 | _____ dBc             | -91 dBc            |
| 10 kHz . . . . .                                | _____ dBc             | -89 dBc            |
| 100 kHz . . . . .                               | _____ dBc             | -106 dBc           |
| Set F1 to 6.0 GHz                               |                       |                    |
| Record the phase noise levels at these offsets: |                       |                    |
| 100 Hz . . . . .                                | _____ dBc             | -75 dBc            |
| 1 kHz . . . . .                                 | _____ dBc             | -85 dBc            |
| 10 kHz . . . . .                                | _____ dBc             | -83 dBc            |
| 100 kHz . . . . .                               | _____ dBc             | -99 dBc            |
| Set F1 to 10.0 GHz                              |                       |                    |
| Record the phase noise levels at these offsets: |                       |                    |
| 100 Hz . . . . .                                | _____ dBc             | -70 dBc            |
| 1 kHz . . . . .                                 | _____ dBc             | -83 dBc            |
| 10 kHz . . . . .                                | _____ dBc             | -80 dBc            |
| 100 kHz . . . . .                               | _____ dBc             | -99 dBc            |
| Set F1 to 20.0 GHz                              |                       |                    |
| Record the phase noise levels at these offsets: |                       |                    |
| 100 Hz . . . . .                                | _____ dBc             | -63 dBc            |
| 1 kHz . . . . .                                 | _____ dBc             | -75 dBc            |
| 10 kHz . . . . .                                | _____ dBc             | -75 dBc            |
| 100 kHz . . . . .                               | _____ dBc             | -97 dBc            |

**3-11 Power Level Accuracy and Flatness Tests  
(Model 68245B/68345B without Option 2A Step Attenuator)****Power Level Accuracy Test Procedure**

| Set F1 to 1.0 GHz |                  | Set F1 to 5.0 GHz |                  |
|-------------------|------------------|-------------------|------------------|
| Set L1 to:        | Measured Power * | Set L1 to:        | Measured Power * |
| +13 dBm           | _____dBm         | +13 dBm           | _____dBm         |
| +12 dBm           | _____dBm         | +12 dBm           | _____dBm         |
| +11 dBm           | _____dBm         | +11 dBm           | _____dBm         |
| +10 dBm           | _____dBm         | +10 dBm           | _____dBm         |
| + 9 dBm           | _____dBm         | + 9 dBm           | _____dBm         |
| + 8 dBm           | _____dBm         | + 8 dBm           | _____dBm         |
| + 7 dBm           | _____dBm         | + 7 dBm           | _____dBm         |
| + 6 dBm           | _____dBm         | + 6 dBm           | _____dBm         |
| + 5 dBm           | _____dBm         | + 5 dBm           | _____dBm         |
| + 4 dBm           | _____dBm         | + 4 dBm           | _____dBm         |
| + 3 dBm           | _____dBm         | + 3 dBm           | _____dBm         |
| + 2 dBm           | _____dBm         | + 2 dBm           | _____dBm         |
| + 1 dBm           | _____dBm         | + 1 dBm           | _____dBm         |

\* Specification is  $\pm 1.0$  dB.\* Specification is  $\pm 1.0$  dB.**Power Level Flatness Test Procedure (Step Sweep)**

| Set L1 to: | Max Power | Min Power | Variation ** |
|------------|-----------|-----------|--------------|
| +13 dBm    | _____dBm  | _____dBm  | _____dB      |

\*\* Maximum variation is 1.6 dB.

**Power Level Flatness Test Procedure (Analog Sweep) (Model 68345B only)**

| Set L1 to: | Max Power | Min Power | Variation *** |
|------------|-----------|-----------|---------------|
| +13 dBm    | _____dBm  | _____dBm  | _____dB       |

\*\*\* Maximum variation is 2.0 dB (typical, not a specification).

**3-11 Power Level Accuracy and Flatness Tests (Continued)  
(Model 68245B/68345B with Option 2A Step Attenuator)****Power Level Accuracy Test Procedure**

| Set F1 to 1.0 GHz |                  | Set F1 to 5.0 GHz |                  |
|-------------------|------------------|-------------------|------------------|
| Set L1 to:        | Measured Power * | Set L1 to:        | Measured Power * |
| +11 dBm           | _____dBm         | +11 dBm           | _____dBm         |
| +10 dBm           | _____dBm         | +10 dBm           | _____dBm         |
| + 9 dBm           | _____dBm         | + 9 dBm           | _____dBm         |
| + 8 dBm           | _____dBm         | + 8 dBm           | _____dBm         |
| + 7 dBm           | _____dBm         | + 7 dBm           | _____dBm         |
| + 6 dBm           | _____dBm         | + 6 dBm           | _____dBm         |
| + 5 dBm           | _____dBm         | + 5 dBm           | _____dBm         |
| + 4 dBm           | _____dBm         | + 4 dBm           | _____dBm         |
| + 3 dBm           | _____dBm         | + 3 dBm           | _____dBm         |
| + 2 dBm           | _____dBm         | + 2 dBm           | _____dBm         |
| + 1 dBm           | _____dBm         | + 1 dBm           | _____dBm         |
| + 0 dBm           | _____dBm         | + 0 dBm           | _____dBm         |
| - 1 dBm           | _____dBm         | - 1 dBm           | _____dBm         |

\* Specification is  $\pm 1.0$  dB.\* Specification is  $\pm 1.0$  dB.**Power Level Flatness Test Procedure (Step Sweep)**

| Set L1 to: | Max Power | Min Power | Variation ** |
|------------|-----------|-----------|--------------|
| +11 dBm    | _____dBm  | _____dBm  | _____dB      |

\*\* Maximum variation is 1.6 dB.

**Power Level Flatness Test Procedure (Analog Sweep) (Model 68345B only)**

| Set L1 to: | Max Power | Min Power | Variation *** |
|------------|-----------|-----------|---------------|
| +11 dBm    | _____dBm  | _____dBm  | _____dB       |

\*\*\* Maximum variation is 6.0 dB (typical, not a specification).



**3-11 Power Level Accuracy and Flatness Tests (Continued)  
(Model 68245B/68345B with Option 15B High Power & without Option 2A Step Attenuator)****Power Level Accuracy Test Procedure**

| Set F1 to 1.0 GHz |                  | Set F1 to 5.0 GHz |                  |
|-------------------|------------------|-------------------|------------------|
| Set L1 to:        | Measured Power * | Set L1 to:        | Measured Power * |
| +13 dBm           | _____dBm         | +17 dBm           | _____dBm         |
| +12 dBm           | _____dBm         | +16 dBm           | _____dBm         |
| +11 dBm           | _____dBm         | +15 dBm           | _____dBm         |
| +10 dBm           | _____dBm         | +14 dBm           | _____dBm         |
| + 9 dBm           | _____dBm         | +13 dBm           | _____dBm         |
| + 8 dBm           | _____dBm         | + 12dBm           | _____dBm         |
| + 7 dBm           | _____dBm         | +11 dBm           | _____dBm         |
| + 6 dBm           | _____dBm         | +10 dBm           | _____dBm         |
| + 5 dBm           | _____dBm         | + 9 dBm           | _____dBm         |
| + 4 dBm           | _____dBm         | + 8 dBm           | _____dBm         |
| + 3 dBm           | _____dBm         | + 7dBm            | _____dBm         |
| + 2 dBm           | _____dBm         | + 6 dBm           | _____dBm         |
| + 1 dBm           | _____dBm         | + 5 dBm           | _____dBm         |

\* Specification is  $\pm 1.0$  dB.\* Specification is  $\pm 1.0$  dB.**Power Level Flatness Test Procedure (Step Sweep)**

| Set L1 to: | Max Power | Min Power | Variation ** |
|------------|-----------|-----------|--------------|
| +13 dBm    | _____dBm  | _____dBm  | _____dB      |

\*\* Maximum variation is 1.6 dB.

**Power Level Flatness Test Procedure (Analog Sweep) (Model 68345B only)**

| Set L1 to: | Max Power | Min Power | Variation *** |
|------------|-----------|-----------|---------------|
| +13 dBm    | _____dBm  | _____dBm  | _____dB       |

\*\*\* Maximum variation is 2.0 dB (typical, not a specification).

**3-11 Power Level Accuracy and Flatness Tests (Continued)  
(Model 68245B/68345B with Option 15B High Power & Option 2A Step Attenuator)**

**Power Level Accuracy Test Procedure**

| Set F1 to 1.0 GHz |                  | Set F1 to 5.0 GHz |                  |
|-------------------|------------------|-------------------|------------------|
| Set L1 to:        | Measured Power * | Set L1 to:        | Measured Power * |
| +11 dBm           | _____dBm         | +15 dBm           | _____dBm         |
| +10 dBm           | _____dBm         | +14 dBm           | _____dBm         |
| + 9 dBm           | _____dBm         | +13 dBm           | _____dBm         |
| + 8 dBm           | _____dBm         | +12 dBm           | _____dBm         |
| + 7 dBm           | _____dBm         | +11 dBm           | _____dBm         |
| + 6 dBm           | _____dBm         | +10 dBm           | _____dBm         |
| + 5 dBm           | _____dBm         | + 9 dBm           | _____dBm         |
| + 4 dBm           | _____dBm         | + 8 dBm           | _____dBm         |
| + 3 dBm           | _____dBm         | + 7 dBm           | _____dBm         |
| + 2 dBm           | _____dBm         | + 6 dBm           | _____dBm         |
| + 1 dBm           | _____dBm         | + 5 dBm           | _____dBm         |
| + 0 dBm           | _____dBm         | + 4 dBm           | _____dBm         |
| - 1 dBm           | _____dBm         | + 3 dBm           | _____dBm         |

\* Specification is  $\pm 1.0$  dB.

\* Specification is  $\pm 1.0$  dB.

**Power Level Flatness Test Procedure (Step Sweep)**

| Set L1 to: | Max Power | Min Power | Variation ** |
|------------|-----------|-----------|--------------|
| +11 dBm    | _____dBm  | _____dBm  | _____dB      |

\*\* Maximum variation is 1.6 dB.

**Power Level Flatness Test Procedure (Analog Sweep) (Model 68345B only)**

| Set L1 to: | Max Power | Min Power | Variation *** |
|------------|-----------|-----------|---------------|
| +11 dBm    | _____dBm  | _____dBm  | _____dB       |

\*\*\* Maximum variation is 6.0 dB (typical, not a specification).

**3-12 Amplitude Modulation Test**

| <b>AM Input Sensitivity Procedure</b>                                 | <b>Lower Limit</b> | <b>Measured Value</b> | <b>Upper Limit</b> |
|---|--------------------|-----------------------|--------------------|
| Set F1 to 5.0 GHz   |                    |                       |                    |
| Measure and record the Modulation Analyzer AM PK(+) reading . . . . . |                    | _____                 |                    |
| Measure and record the Modulation Analyzer AM PK(-) reading . . . . . |                    | _____                 |                    |
| Calculate and record the actual AM input sensitivity . . . . .        | 45%                | _____ %               | 55%                |

**3-13 Frequency Modulation Tests**

| <b>FM Input Sensitivity Procedure<br/>(Unlocked Wide FM Mode)</b>  | <b>Lower Limit</b> | <b>Measured Value</b> | <b>Upper Limit</b> |
|--|--------------------|-----------------------|--------------------|
| Set F1 to 5.0 GHz  |                    |                       |                    |
| Measure and record the low carrier frequency . . . . .             |                    | _____ MHz             |                    |
| Measure and record the high carrier frequency . . . . .            |                    | _____ MHz             |                    |
| Calculate and record the actual peak-to-peak frequency deviation . | 190 MHz            | _____ MHz             | 210 MHz            |

| <b>FM Input Sensitivity Procedure<br/>(Unlocked Narrow FM Mode)</b>        |       |           |        |
|--|-------|-----------|--------|
| Set F1 to 5.0 GHz  |       |           |        |
| Record the FM deviation frequency displayed on the 68245B/68345B . . . . . |       | _____ MHz |        |
| Calculate and record the FM accuracy . . . . .                             | 93.7% | _____ %   | 106.3% |

| <b>FM Input Sensitivity Procedure<br/>(Locked FM Mode)</b>                 |       |           |        |
|--|-------|-----------|--------|
| Set F1 to 5.0 GHz  |       |           |        |
| Record the FM deviation frequency displayed on the 68245B/68345B . . . . . |       | _____ MHz |        |
| Calculate and record the FM accuracy . . . . .                             | 93.7% | _____ %   | 106.3% |

**3-13 Frequency Modulation Tests (Continued)**

**FM Input Sensitivity Procedure  
(Locked Low-Noise FM Mode)**

|  | Lower Limit | Measured Value | Upper Limit |
|--|-------------|----------------|-------------|
| Set F1 to 5.0 GHz  |             |                |             |
| Record the FM deviation frequency displayed on the 69245A/69345A . . . . . |             | _____ MHz      |             |
| Calculate and record the FM accuracy . . . . .                             | 93.7%       | _____ %        | 106.3%      |

**3-14 Pulse Modulation Tests: Rise Time, Fall Time, Overshoot, and Level**

**Rise Time, Fall Time, and Overshoot**

|                                   | Lower Limit | Measured Value | Upper Limit |
|-----------------------------------|-------------|----------------|-------------|
| Set F1 to 5.0 GHz                 |             |                |             |
| Measure and record the following: |             |                |             |
| Rise Time . . . . .               | N/A         | _____ ns       | 10 ns       |
| Pulse Width . . . . .             | -10 ns      | _____ $\mu$ s  | +10 ns      |
| PRI (period) . . . . .            | -10 ns      | _____ ms       | +10 ns      |
| Overshoot . . . . .               | N/A         | _____ %        | 10%         |

**Pulse Level Accuracy (1 GHz, Pulse Width = 1.0  $\mu$ s)**

|   |         |           |         |
|---|---------|-----------|---------|
| Set F1 to 1.0 GHz   |         |           |         |
| Set pulse width W1 to 1.0 $\mu$ s                         |         |           |         |
| Record the displayed output level L1 (step 5.b) . . . . . |         | _____ dBm |         |
| Record the displayed output level L1 (step 5.d) . . . . . |         | _____ dBm |         |
| Calculate and record the pulse level error. . . . .       | -1.0 dB | _____ dB  | +1.0 dB |

**Pulse Level Accuracy (1 GHz, Pulse Width = 5.0  $\mu$ s)**

|   |         |           |         |
|---|---------|-----------|---------|
| Set F1 to 1.0 GHz   |         |           |         |
| Set pulse width W1 to 5.0 $\mu$ s                         |         |           |         |
| Record the displayed output level L1 (step 5.b) . . . . . |         | _____ dBm |         |
| Record the displayed output level L1 (step 5.d) . . . . . |         | _____ dBm |         |
| Calculate and record the pulse level error. . . . .       | -0.5 dB | _____ dB  | +0.5 dB |

**3-14 Pulse Modulation Tests: Rise Time, Fall Time, Overshoot, and Level (Continued)**

| <i>Pulse Level Accuracy (5 GHz, Pulse Width = 0.5 <math>\mu</math>s)</i> | Lower Limit | Measured Value | Upper Limit |
|--|-------------|----------------|-------------|
| Set F1 to 5.0 GHz<br>Set pulse width W1 to 5.0 $\mu$ s                   |             |                |             |
| Record the displayed output level L1 (step 5.b) . . . . .                |             | _____ dBm      |             |
| Record the displayed output level L1 (step 5.d) . . . . .                |             | _____ dBm      |             |
| Calculate and record the pulse level error. . . . .                      | -1.0 dB     | _____ dB       | +1.0 dB     |

**Pulse Level Accuracy (5 GHz, Pulse Width = 5.0  $\mu$ s)**

|   |         |           |         |
|---|---------|-----------|---------|
| Set F1 to 5.0 GHz<br>Set pulse width W1 to 5.0 $\mu$ s    |         |           |         |
| Record the displayed output level L1 (step 5.b) . . . . . |         | _____ dBm |         |
| Record the displayed output level L1 (step 5.d) . . . . . |         | _____ dBm |         |
| Calculate and record the pulse level error. . . . .       | -0.5 dB | _____ dB  | +0.5 dB |

**3-15 Pulse Modulation Test: Video Feedthrough**

| <i>Test Procedure</i>   | Lower Limit | Measured Value | Upper Limit |
|---|-------------|----------------|-------------|
| Set F1 to 5.0 GHz<br>Set pulse width W1 to 5.0 $\mu$ s<br>Set PRI (period) to 0.01 ms |             |                |             |
| Measure and record the Video Feedthrough voltage spikes . . . . .                     | -10 mV      | _____ mV       | +10 mV      |

**3-16 Pulse Modulation Test: RF On/Off Ratio**

**Test Procedure (1 GHz)**

**Lower Limit    Measured Value    Upper Limit**

Set F1 to 1.10 GHz

Measure and record the peak of the signal on the Spectrum Analyzer. (Measured signal must be >60 dB below top graticule to meet specification; this represents an On/Off Ratio of >80 dB.) .

60 dB                  \_\_\_\_\_ dB                  N/A

**Test Procedure (5 GHz)**

Set F1 to 5.0 GHz

Measure and record the peak of the signal on the Spectrum Analyzer. (Measured signal must be >60 dB below top graticule to meet specification; this represents an On/Off Ratio of >80 dB.) .

60 dB                  \_\_\_\_\_ dB                  N/A

**3-17 Phase Modulation Tests**

**$\Phi$ M Input Sensitivity Procedure  
(Wide  $\Phi$ M Mode)**

**Lower Limit    Measured Value    Upper Limit**

Set F1 to 5.0 GHz

Record the  $\Phi$ M deviation displayed on the 68245B/68345B . . . . . \_\_\_\_\_ rad

Calculate and record the  $\Phi$ M accuracy . . . . . 93.7%                  \_\_\_\_\_ %                  106.3%

**$\Phi$ M Input Sensitivity Procedure  
(Narrow  $\Phi$ M Mode)**

Set F1 to 5.0 GHz

Record the  $\Phi$ M deviation displayed on the 68245B/68345B . . . . . \_\_\_\_\_ rad

Calculate and record the  $\Phi$ M accuracy . . . . . 93.7%                  \_\_\_\_\_ %                  106.3%

ANRITSU Model 68245B/68345B

Date: \_\_\_\_\_

Serial Number \_\_\_\_\_

Calibrated By: \_\_\_\_\_

**4-7 Preliminary Calibration**

**Procedure Step**

**Step Completion**

- 1. Internal DVM Calibration (calterm119) . . . . . \_\_\_\_\_
- 2. Coarse Loop Pretune DAC Calibration (calterm 137) . . . . . \_\_\_\_\_
- 3. Fine Loop Pretune DAC Calibration (calterm 136). . . . . \_\_\_\_\_
- 4. Sweep Time DAC Calibration (calterm 132) . . . . . \_\_\_\_\_
- 5. YIG Frequency Offset DAC Calibration (calterm 134) . . . . . \_\_\_\_\_
- 6. YIG Frequency Linearizer DACs Calibration (calterm 127) . . . . . \_\_\_\_\_
- 7. 100 MHz Reference Oscillator Calibration (calterm 130) . . . . . \_\_\_\_\_
- 8. Ramp Center DAC Calibration (calterm 129) . . . . . \_\_\_\_\_
- 9. Sweep Width DAC Calibration (calterm 133) . . . . . \_\_\_\_\_
- 10. Center Frequency DAC Calibration (calterm 114) . . . . . \_\_\_\_\_
- 11. Store the Calibration Data . . . . . \_\_\_\_\_

**4-8 Switched Filter Shaper Calibration**

**Log Amplifier Zero Calibration**

**Step Completion**

- 1. Log Amplifier Zero Calibration (calterm 115) . . . . . \_\_\_\_\_

**Limiter DAC Adjustment (Model 68245B/68345B's with Option 15B)**

- 2. Limiter DAC Adjustment (calterm 145). . . . . \_\_\_\_\_

**Shaper DAC Adjustment**

- 2. Shaper DAC Adjustment (calterm 138) . . . . . \_\_\_\_\_
- 3. Store the Calibration Data . . . . . \_\_\_\_\_

**4-9 RF Level Calibration**

This calibration is performed using an automatic test system. Contact ANRITSU Customer Service for further information.

**4-10 ALC Slope Calibration (68345B having Firmware Version 1.00 and above)**

| <b>Procedure Step</b>                      | <b>Step Completion</b> |
|--|------------------------|
| 5. ALC Slope DAC adjustment . . . . .      | _____                  |
| 6. Store the DAC setting value(s). . . . . | _____                  |

**4-11 ALC Bandwidth Calibration**

| <b>Procedure Step</b>                                | <b>Step Completion</b> |
|--|------------------------|
| 1. ALC Bandwidth Calibration (Calterm 110) . . . . . | _____                  |
| 2. Store the Calibration Data . . . . .              | _____                  |

**4-12 AM Calibration**

| <b>Procedure Step</b>  | <b>Step Completion</b> |
|--|------------------------|
| 2. Linear AM Calibration (calterm 112) . . . . .             | _____                  |
| 3. Log AM Calibration (calterm 113) . . . . .                | _____                  |
| 4. AM Meter Calibration (calterm 147) . . . . .              | _____                  |
| 5. AM Function Generator Calibration (calterm 146) . . . . . | _____                  |
| 6. Store the Calibration Data . . . . .                      | _____                  |



**4-13 FM Calibration (68245B/68345B with Firmware Version 1.00)**

| <b>Procedure Step</b>   | <b>Step Completion</b> |
|---|------------------------|
| 1. FM Meter Calibration (calterm 123) . . . . .                       | _____                  |
| 2. FM Offset Balance Calibration (calterm 126) . . . . .              | _____                  |
| 3. External FM Wide Sensitivity Calibration (calterm 124) . . . . .   | _____                  |
| 4. External FM Narrow Sensitivity Calibration (calterm 125) . . . . . | _____                  |
| 5. Internal FM Wide Sensitivity Calibration (calterm 143) . . . . .   | _____                  |
| 6. Internal FM Narrow Sensitivity Calibration (calterm 144) . . . . . | _____                  |
| 7. Store the Calibration Data . . . . .                               | _____                  |

**4-13 FM Calibration (68245B/68345B with Firmware Version 1.07 and above)**

| <b>Procedure Step</b>   | <b>Step Completion</b> |
|---|------------------------|
| 1. FM Meter Calibration (calterm 123) . . . . .   | _____                  |
| 2. FM Variable Gain Linearity Calibration (calterm 148) . . . . .   | _____                  |
| 3. External Unlocked Wide FM Mode Sensitivity Calibration (calterm 124) . . . . .                                   | _____                  |
| 4. Internal Unlocked Wide FM Mode Sensitivity Calibration (calterm 143) . . . . .                                   | _____                  |
| 5. External Locked, Locked Low-Noise, and Unlocked Narrow FM Mode Sensitivity<br>Calibration (calterm 125). . . . . | _____                  |
| 6. Internal Locked, Locked Low-Noise, and Unlocked Narrow FM Mode Sensitivity<br>Calibration (calterm 144). . . . . | _____                  |
| 7. FM Rear Panel Input Gain Calibration (calterm 154) . . . . .   | _____                  |
| 8. Store the Calibration Data . . . . .   | _____                  |

**4-14 Phase Modulation ( $\Phi$ M) Calibration (Option 6)**

| <i>Procedure Step</i>  | <b>Step Completion</b> |
|--|------------------------|
| 1. External Wide $\Phi$ M Mode Sensitivity Calibration (calterm 149) . . . . .   | _____                  |
| 2. Internal Wide $\Phi$ M Mode Sensitivity Calibration (calterm 151) . . . . .   | _____                  |
| 3. Wide $\Phi$ M Mode Flatness Calibration (calterm 155) . . . . .               | _____                  |
| 4. External Narrow $\Phi$ M Mode Sensitivity Calibration (calterm 150) . . . . . | _____                  |
| 5. Internal Narrow $\Phi$ M Mode Sensitivity Calibration (calterm 152) . . . . . | _____                  |
| 6. Narrow $\Phi$ M Mode Flatness Calibration (calterm 156) . . . . .             | _____                  |
| 7. Store the Calibration Data . . . . .  | _____                  |

ANRITSU Model 68247B/68347B

Date: \_\_\_\_\_

Serial Number \_\_\_\_\_

Tested By: \_\_\_\_\_

|   |
|---|
| <b>3-6 Internal Time Base Aging Rate Test</b> |
|---|

| <i>Test Procedure</i>                                   | <b>Measured Value</b> | <b>Upper Limit</b>  |
|---|-----------------------|---|
| Record frequency error value. . . . .                   | _____                 |   |
| Record frequency error value (after 24 hours) . . . . . | _____                 |   |
| Record the computed aging rate . . . . .                | _____per day          | 2x10 <sup>-8</sup> per day<br>(5x10 <sup>-10</sup> per day<br>with Option 16) |

**3-7 Frequency Synthesis Tests**

**Coarse Loop/YIG Loop Test Procedure**

| Test Frequency (in GHz) | Measured Value * |
|-------------------------|------------------|
| 1.000 000 000           | _____            |
| 2.000 000 000           | _____            |
| 3.000 000 000           | _____            |
| 4.000 000 000           | _____            |
| 5.000 000 000           | _____            |
| 6.000 000 000           | _____            |
| 7.000 000 000           | _____            |
| 8.000 000 000           | _____            |
| 9.000 000 000           | _____            |
| 10.000 000 000          | _____            |
| 11.000 000 000          | _____            |
| 12.000 000 000          | _____            |
| 13.000 000 000          | _____            |
| 14.000 000 000          | _____            |
| 15.000 000 000          | _____            |
| 16.000 000 000          | _____            |
| 17.000 000 000          | _____            |
| 18.000 000 000          | _____            |
| 19.000 000 000          | _____            |
| 20.000 000 000          | _____            |

\* Specification for all frequencies listed above is  $\pm 100$  Hz.

**Fine Loop Test Procedure (Standard 68X47B)**

| Test Frequency (in GHz) | Measured Value ** |
|-------------------------|-------------------|
| 1.000 001 000           | _____             |
| 1.000 002 000           | _____             |
| 1.000 003 000           | _____             |
| 1.000 004 000           | _____             |
| 1.000 005 000           | _____             |
| 1.000 006 000           | _____             |
| 1.000 007 000           | _____             |
| 1.000 008 000           | _____             |
| 1.000 009 000           | _____             |
| 1.000 010 000           | _____             |

\*\* Specifications for all frequencies listed above is  $\pm 100$  Hz

**Fine Loop Test Procedure (68X47B with Option 11)**

| Test Frequency (in GHz) | Measured Value *** |
|-------------------------|--------------------|
| 1.000 000 100           | _____              |
| 1.000 000 200           | _____              |
| 1.000 000 300           | _____              |
| 1.000 000 400           | _____              |
| 1.000 000 500           | _____              |
| 1.000 000 600           | _____              |
| 1.000 000 700           | _____              |
| 1.000 000 800           | _____              |
| 1.000 000 900           | _____              |
| 1.000 001 000           | _____              |

\*\*\* Specification for all frequencies listed above is  $\pm 10$  Hz.

**3-8 Spurious Signals Test: RF Output Signals <2 GHz**

| <i>Test Procedure</i>  | <b>Measured Value</b> | <b>Upper Limit</b> |
|--|-----------------------|--------------------|
| Set F1 to 10 MHz   |                       |                    |
| Record the presence of the worst case harmonic . . . . .     | _____dBc              | -30 dBc            |
| Record the presence of the worst case non-harmonic . . . . . | _____dBc              | -40 dBc            |
| Set F1 to 20 MHz   |                       |                    |
| Record the presence of the worst case harmonic . . . . .     | _____dBc              | -30 dBc            |
| Record the presence of the worst case non-harmonic . . . . . | _____dBc              | -40 dBc            |
| Set F1 to 30 MHz   |                       |                    |
| Record the presence of the worst case harmonic . . . . .     | _____dBc              | -30 dBc            |
| Record the presence of the worst case non-harmonic . . . . . | _____dBc              | -40 dBc            |
| Set F1 to 40 MHz   |                       |                    |
| Record the presence of the worst case harmonic . . . . .     | _____dBc              | -30 dBc            |
| Record the presence of the worst case non-harmonic . . . . . | _____dBc              | -40 dBc            |
| Set F1 to 350 MHz  |                       |                    |
| Record the presence of the worst case harmonic . . . . .     | _____dBc              | -40 dBc            |
| Record the presence of the worst case non-harmonic . . . . . | _____dBc              | -40 dBc            |
| Set F1 to 1.6 GHz  |                       |                    |
| Record the presence of the worst case non-harmonic . . . . . | _____dBc              | -40 dBc            |
| Set F1 to 1.6 GHz  |                       |                    |
| Record the level of the harmonics of the 1.6 GHz carrier:    |                       |                    |
| 3.2 GHz (2nd harmonic) . . . . .                             | _____dBc              | -40 dBc            |
| 4.8 GHz (3rd harmonic) . . . . .                             | _____dBc              | -40 dBc            |

**3-9 Harmonic Test: RF Output Signals From 2 to 20 GHz**

| <i>Test Procedure (2 to 10 GHz)</i>                       | <b>Measured Value</b> | <b>Upper Limit</b> |
|---|-----------------------|--------------------|
| Set F1 to 2.1 GHz   |                       |                    |
| Record the level of all harmonics of the 2.1 GHz carrier: |                       |                    |
| 4.2 GHz (2nd harmonic) . . . . .                          | _____dBc              | -60 dBc*           |
| 6.3 GHz (3rd harmonic) . . . . .                          | _____dBc              | -60 dBc*           |
| 8.4 GHz (4th harmonic) . . . . .                          | _____dBc              | -60 dBc*           |
| 10.5 GHz (5th harmonic) . . . . .                         | _____dBc              | -60 dBc*           |
| 12.6 GHz (6th harmonic) . . . . .                         | _____dBc              | -60 dBc*           |
| 14.7 GHz (7th harmonic) . . . . .                         | _____dBc              | -60 dBc*           |
| 16.8 GHz (8th harmonic) . . . . .                         | _____dBc              | -60 dBc*           |
| 18.9 GHz (9th harmonic) . . . . .                         | _____dBc              | -60 dBc*           |
| Set F1 to 3.6 GHz   |                       |                    |
| Record the level of all harmonics of the 3.6 GHz carrier: |                       |                    |
| 7.2 GHz (2nd harmonic) . . . . .                          | _____dBc              | -60 dBc*           |
| 10.8 GHz (3rd harmonic) . . . . .                         | _____dBc              | -60 dBc*           |
| 14.4 GHz (4th harmonic) . . . . .                         | _____dBc              | -60 dBc*           |
| 18.0 GHz (5th harmonic) . . . . .                         | _____dBc              | -60 dBc*           |
| Set F1 to 7.0 GHz   |                       |                    |
| Record the level of all harmonics of the 7 GHz carrier:   |                       |                    |
| 14.0 GHz (2nd harmonic) . . . . .                         | _____dBc              | -60 dBc*           |
| Set F1 to 10.0 GHz  |                       |                    |
| Record the level of all harmonics of the 10 GHz carrier:  |                       |                    |
| 20.0 GHz (2nd harmonic) . . . . .                         | _____dBc              | -60 dBc*           |

\* -50 dBc if Option 15B (High Power) installed.

**3-9 Harmonic Test: RF Output Signals From 2 to 20 GHz (Continued)**

| <b>Test Procedure (11 to 20 GHz)</b>   | <b>Measured Value</b> | <b>Upper Limit</b> |
|--|-----------------------|--------------------|
| Set F1 to 12.4 GHz<br>Record the level of all harmonics of the 12.4 GHz carrier: |                       |                    |
| 24.8 GHz (2nd harmonic) . . . . .  | _____dBc              | -60 dBc*           |
| 37.2 GHz (3rd harmonic). . . . .   | _____dBc              | -60 dBc*           |
| Set F1 to 16.0 GHz<br>Record the level of all harmonics of the 16.0 GHz carrier: |                       |                    |
| 32.0 GHz (2nd harmonic) . . . . .  | _____dBc              | -60 dBc*           |
| Set F1 to 20.0 GHz<br>Record the level of all harmonics of the 20.0 GHz carrier: |                       |                    |
| 40.0 GHz (2nd harmonic) . . . . .  | _____dBc              | -60 dBc*           |

\* -50 dBc if Option 15B (High Power) installed.

**3-10 Single Sideband Phase Noise Test**

| <b>Test Procedure</b>                           | <b>Measured Value</b> | <b>Upper Limit</b> |
|---|-----------------------|--------------------|
| Set F1 to 0.6 GHz                               |                       |                    |
| Record the phase noise levels at these offsets: |                       |                    |
| 100 Hz . . . . .                                | _____ dBc             | -74 dBc            |
| 1 kHz . . . . .                                 | _____ dBc             | -85 dBc            |
| 10 kHz . . . . .                                | _____ dBc             | -82 dBc            |
| 100 kHz . . . . .                               | _____ dBc             | -97 dBc            |
| Set F1 to 2.0 GHz                               |                       |                    |
| Record the phase noise levels at these offsets: |                       |                    |
| 100 Hz . . . . .                                | _____ dBc             | -77 dBc            |
| 1 kHz . . . . .                                 | _____ dBc             | -85 dBc            |
| 10 kHz . . . . .                                | _____ dBc             | -83 dBc            |
| 100 kHz . . . . .                               | _____ dBc             | -99 dBc            |
| Set F1 to 6.0 GHz                               |                       |                    |
| Record the phase noise levels at these offsets: |                       |                    |
| 100 Hz . . . . .                                | _____ dBc             | -75 dBc            |
| 1 kHz . . . . .                                 | _____ dBc             | -85 dBc            |
| 10 kHz . . . . .                                | _____ dBc             | -83 dBc            |
| 100 kHz . . . . .                               | _____ dBc             | -99 dBc            |
| Set F1 to 10.0 GHz                              |                       |                    |
| Record the phase noise levels at these offsets: |                       |                    |
| 100 Hz . . . . .                                | _____ dBc             | -70 dBc            |
| 1 kHz . . . . .                                 | _____ dBc             | -83 dBc            |
| 10 kHz . . . . .                                | _____ dBc             | -80 dBc            |
| 100 kHz . . . . .                               | _____ dBc             | -99 dBc            |
| Set F1 to 20.0 GHz                              |                       |                    |
| Record the phase noise levels at these offsets: |                       |                    |
| 100 Hz . . . . .                                | _____ dBc             | -63 dBc            |
| 1 kHz . . . . .                                 | _____ dBc             | -75 dBc            |
| 10 kHz . . . . .                                | _____ dBc             | -75 dBc            |
| 100 kHz . . . . .                               | _____ dBc             | -97 dBc            |



**3-11 Power Level Accuracy and Flatness Tests  
(Model 68247B/68347B without Option 2A Step Attenuator)****Power Level Accuracy Test Procedure**

| Set F1 to 1.0 GHz |                  | Set F1 to 5.0 GHz |                  |
|-------------------|------------------|-------------------|------------------|
| Set L1 to:        | Measured Power * | Set L1 to:        | Measured Power * |
| +13 dBm           | _____dBm         | +13 dBm           | _____dBm         |
| +12 dBm           | _____dBm         | +12 dBm           | _____dBm         |
| +11 dBm           | _____dBm         | +11 dBm           | _____dBm         |
| +10 dBm           | _____dBm         | +10 dBm           | _____dBm         |
| + 9 dBm           | _____dBm         | + 9 dBm           | _____dBm         |
| + 8 dBm           | _____dBm         | + 8 dBm           | _____dBm         |
| + 7 dBm           | _____dBm         | + 7 dBm           | _____dBm         |
| + 6 dBm           | _____dBm         | + 6 dBm           | _____dBm         |
| + 5 dBm           | _____dBm         | + 5 dBm           | _____dBm         |
| + 4 dBm           | _____dBm         | + 4 dBm           | _____dBm         |
| + 3 dBm           | _____dBm         | + 3 dBm           | _____dBm         |
| + 2 dBm           | _____dBm         | + 2 dBm           | _____dBm         |
| + 1 dBm           | _____dBm         | + 1 dBm           | _____dBm         |

\* Specification is  $\pm 1.0$  dB.\* Specification is  $\pm 1.0$  dB.**Power Level Flatness Test Procedure (Step Sweep)**

| Set L1 to: | Max Power | Min Power | Variation ** |
|------------|-----------|-----------|--------------|
| +13 dBm    | _____dBm  | _____dBm  | _____dB      |

\*\* Maximum variation is 4.0 dB (0.01 to 0.05 GHz); 1.6 dB (0.05 to 20 GHz).

**Power Level Flatness Test Procedure (Analog Sweep) (Model 68347B only)**

| Set L1 to: | Max Power | Min Power | Variation *** |
|------------|-----------|-----------|---------------|
| +13 dBm    | _____dBm  | _____dBm  | _____dB       |

\*\*\* Maximum variation is 4.0 dB (0.01 to 0.05 GHz); 2.0 dB (0.05 to 20 GHz)(typical, not a specification).

**3-11 Power Level Accuracy and Flatness Tests (Continued)  
(Model 68247B/68347B with Option 2A Step Attenuator)**

**Power Level Accuracy Test Procedure**

| Set F1 to 1.0 GHz |                  | Set F1 to 5.0 GHz |                  |
|-------------------|------------------|-------------------|------------------|
| Set L1 to:        | Measured Power * | Set L1 to:        | Measured Power * |
| +11 dBm           | _____dBm         | +11 dBm           | _____dBm         |
| +10 dBm           | _____dBm         | +10 dBm           | _____dBm         |
| + 9 dBm           | _____dBm         | + 9 dBm           | _____dBm         |
| + 8 dBm           | _____dBm         | + 8 dBm           | _____dBm         |
| + 7 dBm           | _____dBm         | + 7 dBm           | _____dBm         |
| + 6 dBm           | _____dBm         | + 6 dBm           | _____dBm         |
| + 5 dBm           | _____dBm         | + 5 dBm           | _____dBm         |
| + 4 dBm           | _____dBm         | + 4 dBm           | _____dBm         |
| + 3 dBm           | _____dBm         | + 3 dBm           | _____dBm         |
| + 2 dBm           | _____dBm         | + 2 dBm           | _____dBm         |
| + 1 dBm           | _____dBm         | + 1 dBm           | _____dBm         |
| + 0 dBm           | _____dBm         | + 0 dBm           | _____dBm         |
| - 1 dBm           | _____dBm         | - 1 dBm           | _____dBm         |

\* Specification is  $\pm 1.0$  dB.

\* Specification is  $\pm 1.0$  dB.

**Power Level Flatness Test Procedure (Step Sweep)**

| Set L1 to: | Max Power | Min Power | Variation ** |
|------------|-----------|-----------|--------------|
| +11 dBm    | _____dBm  | _____dBm  | _____dB      |

\*\* Maximum variation is 4.0 dB (0.01 to 0.05 GHz); 1.6 dB (0.05 to 20 GHz).

**Power Level Flatness Test Procedure (Analog Sweep) (Model 68347B only)**

| Set L1 to: | Max Power | Min Power | Variation *** |
|------------|-----------|-----------|---------------|
| +11 dBm    | _____dBm  | _____dBm  | _____dB       |

\*\*\* Maximum variation is 7.0 dB (0.01 to 0.05 GHz); 6.0 dB (0.05 to 20 GHz)(typical, not a specification).

**3-11 Power Level Accuracy and Flatness Tests (Continued)  
(Model 68247B/68347B with Option 15B High Power & without Option 2A Step Attenuator)**

**Power Level Accuracy Test Procedure**

| Set F1 to 1.0 GHz |                  | Set F1 to 5.0 GHz |                  |
|-------------------|------------------|-------------------|------------------|
| Set L1 to:        | Measured Power * | Set L1 to:        | Measured Power * |
| +13 dBm           | _____dBm         | +17 dBm           | _____dBm         |
| +12 dBm           | _____dBm         | +16 dBm           | _____dBm         |
| +11 dBm           | _____dBm         | +15 dBm           | _____dBm         |
| +10 dBm           | _____dBm         | +14 dBm           | _____dBm         |
| + 9 dBm           | _____dBm         | +13 dBm           | _____dBm         |
| + 8 dBm           | _____dBm         | + 12dBm           | _____dBm         |
| + 7 dBm           | _____dBm         | +11 dBm           | _____dBm         |
| + 6 dBm           | _____dBm         | +10 dBm           | _____dBm         |
| + 5 dBm           | _____dBm         | + 9 dBm           | _____dBm         |
| + 4 dBm           | _____dBm         | + 8 dBm           | _____dBm         |
| + 3 dBm           | _____dBm         | + 7dBm            | _____dBm         |
| + 2 dBm           | _____dBm         | + 6 dBm           | _____dBm         |
| + 1 dBm           | _____dBm         | + 5 dBm           | _____dBm         |

\* Specification is  $\pm 1.0$  dB.

\* Specification is  $\pm 1.0$  dB.

**Power Level Flatness Test Procedure (Step Sweep)**

| Set L1 to: | Max Power | Min Power | Variation ** |
|------------|-----------|-----------|--------------|
| +13 dBm    | _____dBm  | _____dBm  | _____dB      |

\*\* Maximum variation is 4.0 dB (0.01 to 0.05 GHz); 1.6 dB (0.05 to 20 GHz).

**Power Level Flatness Test Procedure (Analog Sweep) (Model 68347B only)**

| Set L1 to: | Max Power | Min Power | Variation *** |
|------------|-----------|-----------|---------------|
| +13 dBm    | _____dBm  | _____dBm  | _____dB       |

\*\*\* Maximum variation is 4.0 dB (0.01 to 0.05 GHz); 2.0 dB (0.05 to 20 GHz)(typical, not a specification).

**3-11 Power Level Accuracy and Flatness Tests (Continued)  
(Model 68247B/68347B with Option 15B High Power & Option 2A Step Attenuator)**

**Power Level Accuracy Test Procedure**

| Set F1 to 1.0 GHz |                  | Set F1 to 5.0 GHz |                  |
|-------------------|------------------|-------------------|------------------|
| Set L1 to:        | Measured Power * | Set L1 to:        | Measured Power * |
| +11 dBm           | _____dBm         | +15 dBm           | _____dBm         |
| +10 dBm           | _____dBm         | +14 dBm           | _____dBm         |
| + 9 dBm           | _____dBm         | +13 dBm           | _____dBm         |
| + 8 dBm           | _____dBm         | +12 dBm           | _____dBm         |
| + 7 dBm           | _____dBm         | +11 dBm           | _____dBm         |
| + 6 dBm           | _____dBm         | +10 dBm           | _____dBm         |
| + 5 dBm           | _____dBm         | + 9 dBm           | _____dBm         |
| + 4 dBm           | _____dBm         | + 8 dBm           | _____dBm         |
| + 3 dBm           | _____dBm         | + 7 dBm           | _____dBm         |
| + 2 dBm           | _____dBm         | + 6 dBm           | _____dBm         |
| + 1 dBm           | _____dBm         | + 5 dBm           | _____dBm         |
| + 0 dBm           | _____dBm         | + 4 dBm           | _____dBm         |
| - 1 dBm           | _____dBm         | + 3 dBm           | _____dBm         |

\* Specification is  $\pm 1.0$  dB.

\* Specification is  $\pm 1.0$  dB.

**Power Level Flatness Test Procedure (Step Sweep)**

| Set L1 to: | Max Power | Min Power | Variation ** |
|------------|-----------|-----------|--------------|
| +11 dBm    | _____dBm  | _____dBm  | _____dB      |

\*\* Maximum variation is 4.0 dB (0.01 to 0.05 GHz); 1.6 dB (0.05 to 20 GHz).

**Power Level Flatness Test Procedure (Analog Sweep) (Model 68347B only)**

| Set L1 to: | Max Power | Min Power | Variation *** |
|------------|-----------|-----------|---------------|
| +11 dBm    | _____dBm  | _____dBm  | _____dB       |

\*\*\* Maximum variation is 7.0 dB (0.01 to 0.05 GHz); 6.0 dB (0.05 to 20 GHz)(typical, not a specification).

**3-12 Amplitude Modulation Test**

| <b>AM Input Sensitivity Procedure</b>                                 | <b>Lower Limit</b> | <b>Measured Value</b> | <b>Upper Limit</b> |
|---|--------------------|-----------------------|--------------------|
| Set F1 to 5.0 GHz   |                    |                       |                    |
| Measure and record the Modulation Analyzer AM PK(+) reading . . . . . |                    | _____                 |                    |
| Measure and record the Modulation Analyzer AM PK(-) reading . . . . . |                    | _____                 |                    |
| Calculate and record the actual AM input sensitivity . . . . .        | 45%                | _____ %               | 55%                |

**3-13 Frequency Modulation Tests**

| <b>FM Input Sensitivity Procedure<br/>(Unlocked Wide FM Mode)</b>  | <b>Lower Limit</b> | <b>Measured Value</b> | <b>Upper Limit</b> |
|--|--------------------|-----------------------|--------------------|
| Set F1 to 5.0 GHz  |                    |                       |                    |
| Measure and record the low carrier frequency . . . . .             |                    | _____ MHz             |                    |
| Measure and record the high carrier frequency . . . . .            |                    | _____ MHz             |                    |
| Calculate and record the actual peak-to-peak frequency deviation . | 190 MHz            | _____ MHz             | 210 MHz            |

| <b>FM Input Sensitivity Procedure<br/>(Unlocked Narrow FM Mode)</b>        |       |           |        |
|--|-------|-----------|--------|
| Set F1 to 5.0 GHz  |       |           |        |
| Record the FM deviation frequency displayed on the 68247B/68347B . . . . . |       | _____ MHz |        |
| Calculate and record the FM accuracy . . . . .                             | 93.7% | _____ %   | 106.3% |

| <b>FM Input Sensitivity Procedure<br/>(Locked FM Mode)</b>                 |       |           |        |
|--|-------|-----------|--------|
| Set F1 to 5.0 GHz  |       |           |        |
| Record the FM deviation frequency displayed on the 68247B/68347B . . . . . |       | _____ MHz |        |
| Calculate and record the FM accuracy . . . . .                             | 93.7% | _____ %   | 106.3% |

**3-13 Frequency Modulation Tests (Continued)**

**FM Input Sensitivity Procedure  
(Locked Low-Noise FM Mode)**

|  | Lower Limit | Measured Value | Upper Limit |
|--|-------------|----------------|-------------|
| Set F1 to 5.0 GHz  |             |                |             |
| Record the FM deviation frequency displayed on the 68247B/68347B . . . . . |             | _____ MHz      |             |
| Calculate and record the FM accuracy . . . . .                             | 93.7%       | _____ %        | 106.3%      |

**3-14 Pulse Modulation Tests: Rise Time, Fall Time, Overshoot, and Level**

**Rise Time, Fall Time, and Overshoot**

|                                   | Lower Limit | Measured Value | Upper Limit |
|-----------------------------------|-------------|----------------|-------------|
| Set F1 to 5.0 GHz                 |             |                |             |
| Measure and record the following: |             |                |             |
| Rise Time . . . . .               | N/A         | _____ ns       | 10 ns       |
| Pulse Width . . . . .             | -10 ns      | _____ $\mu$ s  | +10 ns      |
| PRF (period) . . . . .            | -10 ns      | _____ ms       | +10 ns      |
| Overshoot . . . . .               | N/A         | _____ %        | 10%         |

**Pulse Level Accuracy (1 GHz, Pulse Width = 1.0  $\mu$ s)**

|   |         |           |         |
|---|---------|-----------|---------|
| Set F1 to 1.0 GHz   |         |           |         |
| Set pulse width W1 to 1.0 $\mu$ s                         |         |           |         |
| Record the displayed output level L1 (step 5.b) . . . . . |         | _____ dBm |         |
| Record the displayed output level L1 (step 5.d) . . . . . |         | _____ dBm |         |
| Calculate and record the pulse level error. . . . .       | -1.0 dB | _____ dB  | +1.0 dB |

**Pulse Level Accuracy (1 GHz, Pulse Width = 5.0  $\mu$ s)**

|   |         |           |         |
|---|---------|-----------|---------|
| Set F1 to 1.0 GHz   |         |           |         |
| Set pulse width W1 to 5.0 $\mu$ s                         |         |           |         |
| Record the displayed output level L1 (step 5.b) . . . . . |         | _____ dBm |         |
| Record the displayed output level L1 (step 5.d) . . . . . |         | _____ dBm |         |
| Calculate and record the pulse level error. . . . .       | -0.5 dB | _____ dB  | +0.5 dB |

**3-14 Pulse Modulation Tests: Rise Time, Fall Time, Overshoot, and Level (Continued)**

| <i>Pulse Level Accuracy (5 GHz, Pulse Width = 0.5 <math>\mu</math>s)</i> | Lower Limit | Measured Value | Upper Limit |
|--|-------------|----------------|-------------|
| Set F1 to 5.0 GHz<br>Set pulse width W1 to 5.0 $\mu$ s                   |             |                |             |
| Record the displayed output level L1 (step 5.b) . . . . .                |             | _____ dBm      |             |
| Record the displayed output level L1 (step 5.d) . . . . .                |             | _____ dBm      |             |
| Calculate and record the pulse level error. . . . .                      | -1.0 dB     | _____ dB       | +1.0 dB     |

**Pulse Level Accuracy (5 GHz, Pulse Width = 5.0  $\mu$ s)**

|   |         |           |         |
|---|---------|-----------|---------|
| Set F1 to 5.0 GHz<br>Set pulse width W1 to 5.0 $\mu$ s    |         |           |         |
| Record the displayed output level L1 (step 5.b) . . . . . |         | _____ dBm |         |
| Record the displayed output level L1 (step 5.d) . . . . . |         | _____ dBm |         |
| Calculate and record the pulse level error. . . . .       | -0.5 dB | _____ dB  | +0.5 dB |

**3-15 Pulse Modulation Test: Video Feedthrough**

| <i>Test Procedure</i>   | Lower Limit | Measured Value | Upper Limit |
|---|-------------|----------------|-------------|
| Set F1 to 5.0 GHz<br>Set pulse width W1 to 5.0 $\mu$ s<br>Set PRI (period) to 0.01 ms |             |                |             |
| Measure and record the Video Feedthrough voltage spikes . . . . .                     | -10 mV      | _____ mV       | +10 mV      |

**3-16 Pulse Modulation Test: RF On/Off Ratio**

**Test Procedure (1 GHz)**

Set F1 to 1.10 GHz

Measure and record the peak of the signal on the Spectrum Analyzer. (Measured signal must be >60 dB below top graticule to meet specification; this represents an On/Off Ratio of >80 dB.)

| Lower Limit | Measured Value | Upper Limit |
|-------------|----------------|-------------|
| 60 dB       | _____dB        | N/A         |

**Test Procedure (5 GHz)**

Set F1 to 5.0 GHz

Measure and record the peak of the signal on the Spectrum Analyzer. (Measured signal must be >60 dB below top graticule to meet specification; this represents an On/Off Ratio of >80 dB.)

|       |         |     |
|-------|---------|-----|
| 60 dB | _____dB | N/A |
|-------|---------|-----|

**3-17 Phase Modulation Tests**

**$\Phi$ M Input Sensitivity Procedure  
(Wide  $\Phi$ M Mode)**

Set F1 to 5.0 GHz

Record the  $\Phi$ M deviation displayed on the 68247B/68347B . . . . .

\_\_\_\_\_ rad

Calculate and record the  $\Phi$ M accuracy . . . . .

93.7%

\_\_\_\_\_ %

106.3%

**$\Phi$ M Input Sensitivity Procedure  
(Narrow  $\Phi$ M Mode)**

Set F1 to 5.0 GHz

Record the  $\Phi$ M deviation displayed on the 68247B/68347B . . . . .

\_\_\_\_\_ rad

Calculate and record the  $\Phi$ M accuracy . . . . .

93.7%

\_\_\_\_\_ %

106.3%



ANRITSU Model 68247B/68347B

Date: \_\_\_\_\_

Serial Number \_\_\_\_\_

Calibrated By: \_\_\_\_\_

**4-7 Preliminary Calibration**

| <i>Procedure Step</i>  | <b>Step Completion</b> |
|--|------------------------|
| 1. Internal DVM Calibration (calterm119) . . . . .                   | _____                  |
| 2. Coarse Loop Pretune DAC Calibration (calterm 137) . . . . .       | _____                  |
| 3. Fine Loop Pretune DAC Calibration (calterm 136). . . . .          | _____                  |
| 4. Sweep Time DAC Calibration (calterm 132) . . . . .                | _____                  |
| 5. YIG Frequency Offset DAC Calibration (calterm 134) . . . . .      | _____                  |
| 6. YIG Frequency Linearizer DACs Calibration (calterm 127) . . . . . | _____                  |
| 7. 100 MHz Reference Oscillator Calibration (calterm 130) . . . . .  | _____                  |
| 8. Ramp Center DAC Calibration (calterm 129) . . . . .               | _____                  |
| 9. Sweep Width DAC Calibration (calterm 133) . . . . .               | _____                  |
| 10. Center Frequency DAC Calibration (calterm 114) . . . . .         | _____                  |
| 11. Store the Calibration Data . . . . .                             | _____                  |

**4-8 Switched Filter Shaper Calibration**

| <i>Log Amplifier Zero Calibration</i>                     | <b>Step Completion</b> |
|---|------------------------|
| 1. Log Amplifier Zero Calibration (calterm 115) . . . . . | _____                  |

**Limiter DAC Adjustment (Model 68247B/68347B's with Option 15B)**

|  |       |
|--|-------|
| 2. Limiter DAC Adjustment (calterm 145). . . . . | _____ |
|--|-------|

**Shaper DAC Adjustment**

|  |       |
|--|-------|
| 2. Shaper DAC Adjustment (calterm 138) . . . . . | _____ |
| 3. Store the Calibration Data . . . . .          | _____ |

**4-9 RF Level Calibration**

This calibration is performed using an automatic test system. Contact ANRITSU Customer Service for further information.

**4-10 ALC Slope Calibration (68347B having Firmware Version 1.01 to 2.00)**

| <i>Procedure Step</i>                            | <i>Step Completion</i> |
|--|------------------------|
| 5. ALC Slope DAC adjustment for @2 GHz . . . . . | _____                  |
| 9. ALC Slope DAC adjustment for >2 GHz . . . . . | _____                  |
| 10. Store the DAC setting value(s). . . . .      | _____                  |

**4-10 ALC Slope Calibration (68347B having Firmware Version 2.00 and above)**

| <i>Procedure Step</i>                      | <i>Step Completion</i> |
|--|------------------------|
| 5. ALC Slope DAC adjustment . . . . .      | _____                  |
| 6. Store the DAC setting value(s). . . . . | _____                  |

**4-11 ALC Bandwidth Calibration**

| <i>Procedure Step</i>                                | <i>Step Completion</i> |
|--|------------------------|
| 1. ALC Bandwidth Calibration (Calterm 110) . . . . . | _____                  |
| 2. Store the Calibration Data . . . . .              | _____                  |

**4-12 AM Calibration**

| <i>Procedure Step</i>  | <i>Step Completion</i> |
|--|------------------------|
| 2. Linear AM Calibration (calterm 112) . . . . .             | _____                  |
| 3. Log AM Calibration (calterm 113) . . . . .                | _____                  |
| 4. AM Meter Calibration (calterm 147) . . . . .              | _____                  |
| 5. AM Function Generator Calibration (calterm 146) . . . . . | _____                  |
| 6. Store the Calibration Data . . . . .                      | _____                  |

**4-13 FM Calibration (68247B/68347B with Firmware Version 1.01 to 2.10)**

| <b>Procedure Step</b>   | <b>Step Completion</b> |
|---|------------------------|
| 1. FM Meter Calibration (calterm 123) . . . . .                       | _____                  |
| 2. FM Offset Balance Calibration (calterm 126) . . . . .              | _____                  |
| 3. External FM Wide Sensitivity Calibration (calterm 124) . . . . .   | _____                  |
| 4. External FM Narrow Sensitivity Calibration (calterm 125) . . . . . | _____                  |
| 5. Internal FM Wide Sensitivity Calibration (calterm 143) . . . . .   | _____                  |
| 6. Internal FM Narrow Sensitivity Calibration (calterm 144) . . . . . | _____                  |
| 7. Store the Calibration Data . . . . .                               | _____                  |

**4-13 FM Calibration (68247B with Firmware Version 2.18 and above;  
68347B with Firmware Version 2.20 and above)**

| <b>Procedure Step</b>   | <b>Step Completion</b> |
|---|------------------------|
| 1. FM Meter Calibration (calterm 123) . . . . .   | _____                  |
| 2. FM Variable Gain Linearity Calibration (calterm 148) . . . . .   | _____                  |
| 3. External Unlocked Wide FM Mode Sensitivity Calibration (calterm 124) . . . . .                                   | _____                  |
| 4. Internal Unlocked Wide FM Mode Sensitivity Calibration (calterm 143) . . . . .                                   | _____                  |
| 5. External Locked, Locked Low-Noise, and Unlocked Narrow FM Mode Sensitivity<br>Calibration (calterm 125). . . . . | _____                  |
| 6. Internal Locked, Locked Low-Noise, and Unlocked Narrow FM Mode Sensitivity<br>Calibration (calterm 144). . . . . | _____                  |
| 7. FM Rear Panel Input Gain Calibration (calterm 154) . . . . .   | _____                  |
| 8. Store the Calibration Data . . . . .   | _____                  |

**4-14 Phase Modulation ( $\Phi$ M) Calibration (Option 6)**

| <b>Procedure Step</b>  | <b>Step Completion</b> |
|--|------------------------|
| 1. External Wide $\Phi$ M Mode Sensitivity Calibration (calterm 149) . . . . .   | _____                  |
| 2. Internal Wide $\Phi$ M Mode Sensitivity Calibration (calterm 151) . . . . .   | _____                  |
| 3. Wide $\Phi$ M Mode Flatness Calibration (calterm 155) . . . . .               | _____                  |
| 4. External Narrow $\Phi$ M Mode Sensitivity Calibration (calterm 150) . . . . . | _____                  |
| 5. Internal Narrow $\Phi$ M Mode Sensitivity Calibration (calterm 152) . . . . . | _____                  |
| 6. Narrow $\Phi$ M Mode Flatness Calibration (calterm 156) . . . . .             | _____                  |
| 7. Store the Calibration Data . . . . .  | _____                  |

ANRITSU Model 68253B/68353B

Date: \_\_\_\_\_

Serial Number \_\_\_\_\_

Tested By: \_\_\_\_\_

|   |
|---|
| <b>3-6 Internal Time Base Aging Rate Test</b> |
|---|

| <i>Test Procedure</i>                                   | <b>Measured Value</b> | <b>Upper Limit</b>   |
|---|-----------------------|--|
| Record frequency error value . . . . .                  | _____                 |  |
| Record frequency error value (after 24 hours) . . . . . | _____                 |  |
| Record the computed aging rate . . . . .                | _____ per day         | $2 \times 10^{-8}$ per day<br>( $5 \times 10^{-10}$ per day<br>with Option 16) |

**3-7 Frequency Synthesis Tests**

**Coarse Loop/YIG Loop Test Procedure**

| Test Frequency (in GHz) | Measured Value * | Test Frequency (in GHz) | Measured Value * |
|-------------------------|------------------|-------------------------|------------------|
| 2.000 000 000           | _____            | 21.000 000 000          | _____            |
| 3.000 000 000           | _____            | 22.000 000 000          | _____            |
| 4.000 000 000           | _____            | 23.000 000 000          | _____            |
| 5.000 000 000           | _____            | 24.000 000 000          | _____            |
| 6.000 000 000           | _____            | 25.000 000 000          | _____            |
| 7.000 000 000           | _____            | 26.000 000 000          | _____            |
| 8.000 000 000           | _____            |                         |                  |
| 9.000 000 000           | _____            |                         |                  |
| 10.000 000 000          | _____            |                         |                  |
| 11.000 000 000          | _____            |                         |                  |
| 12.000 000 000          | _____            |                         |                  |
| 13.000 000 000          | _____            |                         |                  |
| 14.000 000 000          | _____            |                         |                  |
| 15.000 000 000          | _____            |                         |                  |
| 16.000 000 000          | _____            |                         |                  |
| 17.000 000 000          | _____            |                         |                  |
| 18.000 000 000          | _____            |                         |                  |
| 19.000 000 000          | _____            |                         |                  |
| 20.000 000 000          | _____            |                         |                  |

\* Specification for all frequencies listed above is  $\pm 100$  Hz.

**3-7 Frequency Synthesis Tests**

***Fine Loop Test Procedure (Standard 68X53B)***

| Test Frequency (in GHz) | Measured Value ** |
|-------------------------|-------------------|
| 2.000 001 000           | _____             |
| 2.000 002 000           | _____             |
| 2.000 003 000           | _____             |
| 2.000 004 000           | _____             |
| 2.000 005 000           | _____             |
| 2.000 006 000           | _____             |
| 2.000 007 000           | _____             |
| 2.000 008 000           | _____             |
| 2.000 009 000           | _____             |
| 2.000 010 000           | _____             |

\*\* Specification for all frequencies listed above is  $\pm 100$  Hz.

***Fine Loop Test Procedure (68X53B with Option 11)***

| Test Frequency (in GHz) | Measured Value *** |
|-------------------------|--------------------|
| 2.000 000 100           | _____              |
| 2.000 000 200           | _____              |
| 2.000 000 300           | _____              |
| 2.000 000 400           | _____              |
| 2.000 000 500           | _____              |
| 2.000 000 600           | _____              |
| 2.000 000 700           | _____              |
| 2.000 000 800           | _____              |
| 2.000 000 900           | _____              |
| 2.000 001 000           | _____              |

\*\*\* Specification for all frequencies listed above is  $\pm 10$  Hz.

**3-8 Spurious Signals Test: RF Output Signals <2 GHz**

This test is not applicable to the 68253B/68353B model.

**3-9 Harmonic Test: RF Output Signals From 2 to 20 GHz**

**Test Procedure (2 to 10 GHz)**

**Measured Value**

**Upper Limit**

Set F1 to 2.1 GHz

Record the level of all harmonics of the 2.1 GHz carrier:

|                                   |           |          |
|-----------------------------------|-----------|----------|
| 4.2 GHz (2nd harmonic) . . . . .  | _____ dBc | -60 dBc* |
| 6.3 GHz (3rd harmonic) . . . . .  | _____ dBc | -60 dBc* |
| 8.4 GHz (4th harmonic) . . . . .  | _____ dBc | -60 dBc* |
| 10.5 GHz (5th harmonic) . . . . . | _____ dBc | -60 dBc* |
| 12.6 GHz (6th harmonic) . . . . . | _____ dBc | -60 dBc* |
| 14.7 GHz (7th harmonic) . . . . . | _____ dBc | -60 dBc* |
| 16.8 GHz (8th harmonic) . . . . . | _____ dBc | -60 dBc* |
| 18.9 GHz (9th harmonic) . . . . . | _____ dBc | -60 dBc* |

Set F1 to 3.6 GHz

Record the level of all harmonics of the 3.6 GHz carrier:

|                                   |           |          |
|-----------------------------------|-----------|----------|
| 7.2 GHz (2nd harmonic) . . . . .  | _____ dBc | -60 dBc* |
| 10.8 GHz (3rd harmonic) . . . . . | _____ dBc | -60 dBc* |
| 14.4 GHz (4th harmonic) . . . . . | _____ dBc | -60 dBc* |
| 18.0 GHz (5th harmonic) . . . . . | _____ dBc | -60 dBc* |

Set F1 to 7.0 GHz

Record the level of all harmonics of the 7 GHz carrier:

|                                   |           |          |
|-----------------------------------|-----------|----------|
| 14.0 GHz (2nd harmonic) . . . . . | _____ dBc | -60 dBc* |
|-----------------------------------|-----------|----------|

Set F1 to 10.0 GHz

Record the level of all harmonics of the 10 GHz carrier:

|                                   |           |          |
|-----------------------------------|-----------|----------|
| 20.0 GHz (2nd harmonic) . . . . . | _____ dBc | -60 dBc* |
|-----------------------------------|-----------|----------|

\* -50 dBc if Option 15B (High Power) installed.



**3-9 Harmonic Test: RF Output Signals From 2 to 20 GHz (Continued)**

**Test Procedure (11 to 20 GHz)**

**Measured Value**

**Upper Limit**

Set F1 to 12.4 GHz

Record the level of all harmonics of the 12.4 GHz carrier:

24.8 GHz (2nd harmonic) . . . . . \_\_\_\_\_ dBc      -60 dBc\*

37.2 GHz (3rd harmonic). . . . . \_\_\_\_\_ dBc      -60 dBc\*

Set F1 to 16.0 GHz

Record the level of all harmonics of the 16.0 GHz carrier:

32.0 GHz (2nd harmonic) . . . . . \_\_\_\_\_ dBc      -60 dBc\*

Set F1 to 20.0 GHz

Record the level of all harmonics of the 20.0 GHz carrier:

40.0 GHz (2nd harmonic) . . . . . \_\_\_\_\_ dBc      -60 dBc\*

\* -50 dBc is Option 15B (High Power) installed.

**3-10 Single Sideband Phase Noise Test**

| <i>Test Procedure</i>                           | <b>Measured Value</b> | <b>Upper Limit</b> |
|---|-----------------------|--------------------|
| Set F1 to 2.0 GHz                               |                       |                    |
| Record the phase noise levels at these offsets: |                       |                    |
| 100 Hz . . . . .                                | _____dBc              | -77 dBc            |
| 1 kHz . . . . .                                 | _____dBc              | -85 dBc            |
| 10 kHz . . . . .                                | _____dBc              | -83 dBc            |
| 100 kHz . . . . .                               | _____dBc              | -99 dBc            |
| Set F1 to 6.0 GHz                               |                       |                    |
| Record the phase noise levels at these offsets: |                       |                    |
| 100 Hz . . . . .                                | _____dBc              | -75 dBc            |
| 1 kHz . . . . .                                 | _____dBc              | -85 dBc            |
| 10 kHz . . . . .                                | _____dBc              | -83 dBc            |
| 100 kHz . . . . .                               | _____dBc              | -99 dBc            |
| Set F1 to 10.0 GHz                              |                       |                    |
| Record the phase noise levels at these offsets: |                       |                    |
| 100 Hz . . . . .                                | _____dBc              | -70 dBc            |
| 1 kHz . . . . .                                 | _____dBc              | -83 dBc            |
| 10 kHz . . . . .                                | _____dBc              | -80 dBc            |
| 100 kHz . . . . .                               | _____dBc              | -99 dBc            |
| Set F1 to 20.0 GHz                              |                       |                    |
| Record the phase noise levels at these offsets: |                       |                    |
| 100 Hz . . . . .                                | _____dBc              | -63 dBc            |
| 1 kHz . . . . .                                 | _____dBc              | -75 dBc            |
| 10 kHz . . . . .                                | _____dBc              | -75 dBc            |
| 100 kHz . . . . .                               | _____dBc              | -97 dBc            |
| Set F1 to 26.5 GHz                              |                       |                    |
| Record the phase noise levels at these offsets: |                       |                    |
| 100 Hz . . . . .                                | _____dBc              | -60 dBc            |
| 1 kHz . . . . .                                 | _____dBc              | -75 dBc            |
| 10 kHz . . . . .                                | _____dBc              | -73 dBc            |
| 100 kHz . . . . .                               | _____dBc              | -93 dBc            |

**3-11 Power Level Accuracy and Flatness Tests  
(Model 68253B/68353B without Option 2A Step Attenuator)**

**Power Level Accuracy Test Procedure**

| Set F1 to 5.0 GHz |                  | Set F1 to 22.0 GHz |                  |
|-------------------|------------------|--------------------|------------------|
| Set L1 to:        | Measured Power * | Set L1 to:         | Measured Power * |
| + 9 dBm           | _____dBm         | + 6 dBm            | _____dBm         |
| + 8 dBm           | _____dBm         | + 5 dBm            | _____dBm         |
| + 7 dBm           | _____dBm         | + 4 dBm            | _____dBm         |
| + 6 dBm           | _____dBm         | + 3 dBm            | _____dBm         |
| + 5 dBm           | _____dBm         | + 2 dBm            | _____dBm         |
| + 4 dBm           | _____dBm         | + 1 dBm            | _____dBm         |
| + 3 dBm           | _____dBm         | + 0 dBm            | _____dBm         |
| + 2 dBm           | _____dBm         | - 1 dBm            | _____dBm         |
| + 1 dBm           | _____dBm         | - 2 dBm            | _____dBm         |
| + 0 dBm           | _____dBm         | - 3 dBm            | _____dBm         |
| - 1 dBm           | _____dBm         | - 4 dBm            | _____dBm         |
| - 2 dBm           | _____dBm         | - 5 dBm            | _____dBm         |
| - 3 dBm           | _____dBm         | - 6 dBm            | _____dBm         |

\* Specification is  $\pm 1.0$  dB.

\* Specification is  $\pm 1.0$  dB.

**Power Level Flatness Test Procedure (Step Sweep)**

| Set L1 to: | Max Power | Min Power | Variation ** |
|------------|-----------|-----------|--------------|
| + 6 dBm    | _____dBm  | _____dBm  | _____dB      |

\*\* Maximum variation is 1.6 dB.

**Power Level Flatness Test Procedure (Analog Sweep) (Model 68353B only)**

| Set L1 to: | Max Power | Min Power | Variation *** |
|------------|-----------|-----------|---------------|
| + 6 dBm    | _____dBm  | _____dBm  | _____dB       |

\*\*\* Maximum variation is 2.0 dB (2 to 20 GHz); 4.0 dB (20 to 26.5 GHz)(typical, not a specification).

**3-11 Power Level Accuracy and Flatness Tests (Continued)  
(Model 68253B/68353B with Option 2A Step Attenuator)**

**Power Level Accuracy Test Procedure**

| Set F1 to 5.0 GHz |                  | Set F1 to 22.0 GHz |                  |
|-------------------|------------------|--------------------|------------------|
| Set L1 to:        | Measured Power * | Set L1 to:         | Measured Power * |
| + 7 dBm           | _____dBm         | + 3.5 dBm          | _____dBm         |
| + 6 dBm           | _____dBm         | + 2.5 dBm          | _____dBm         |
| + 5 dBm           | _____dBm         | + 1.5 dBm          | _____dBm         |
| + 4 dBm           | _____dBm         | + 0.5 dBm          | _____dBm         |
| + 3 dBm           | _____dBm         | - 0.5 dBm          | _____dBm         |
| + 2 dBm           | _____dBm         | - 1.5 dBm          | _____dBm         |
| + 1 dBm           | _____dBm         | - 2.5 dBm          | _____dBm         |
| + 0 dBm           | _____dBm         | - 3.5 dBm          | _____dBm         |
| - 1 dBm           | _____dBm         | - 4.5 dBm          | _____dBm         |
| - 2 dBm           | _____dBm         | - 5.5 dBm          | _____dBm         |
| - 3 dBm           | _____dBm         | - 6.5 dBm          | _____dBm         |
| - 4 dBm           | _____dBm         | - 7.5 dBm          | _____dBm         |
| - 5 dBm           | _____dBm         | - 8.5 dBm          | _____dBm         |

\* Specification is  $\pm 1.0$  dB.

\* Specification is  $\pm 1.0$  dB.

**Power Level Flatness Test Procedure (Step Sweep)**

| Set L1 to: | Max Power | Min Power | Variation ** |
|------------|-----------|-----------|--------------|
| + 3.5 dBm  | _____dBm  | _____dBm  | _____dB      |

\*\* Maximum variation is 1.6 dB.

**Power Level Flatness Test Procedure (Analog Sweep) (Model 68353B only)**

| Set L1 to: | Max Power | Min Power | Variation *** |
|------------|-----------|-----------|---------------|
| + 3.5 dBm  | _____dBm  | _____dBm  | _____dB       |

\*\*\* Maximum variation is 6.0 dB (2 to 20 GHz); 8.2 dB (20 to 26.5 GHz)(typical, not a specification).

**3-11 Power Level Accuracy and Flatness Tests (Continued)  
(Model 68253B/68353B with Option 15B High Power & without Option 2A Step Attenuator)**

**Power Level Accuracy Test Procedure**

| Set F1 to 5.0 GHz |                  | Set F1 to 22.0 GHz |                  |
|-------------------|------------------|--------------------|------------------|
| Set L1 to:        | Measured Power * | Set L1 to:         | Measured Power * |
| +13 dBm           | _____dBm         | +10 dBm            | _____dBm         |
| +12 dBm           | _____dBm         | + 9 dBm            | _____dBm         |
| +11 dBm           | _____dBm         | + 8 dBm            | _____dBm         |
| +10 dBm           | _____dBm         | + 7 dBm            | _____dBm         |
| + 9 dBm           | _____dBm         | + 6 dBm            | _____dBm         |
| + 8 dBm           | _____dBm         | + 5 dBm            | _____dBm         |
| + 7 dBm           | _____dBm         | + 4 dBm            | _____dBm         |
| + 6 dBm           | _____dBm         | + 3 dBm            | _____dBm         |
| + 5 dBm           | _____dBm         | + 2 dBm            | _____dBm         |
| + 4 dBm           | _____dBm         | + 1 dBm            | _____dBm         |
| + 3 dBm           | _____dBm         | + 0 dBm            | _____dBm         |
| + 2 dBm           | _____dBm         | - 1 dBm            | _____dBm         |
| + 1 dBm           | _____dBm         | - 2 dBm            | _____dBm         |

\* Specification is  $\pm 1.0$  dB.

\* Specification is  $\pm 1.0$  dB.

**Power Level Flatness Test Procedure (Step Sweep)**

| Set L1 to: | Max Power | Min Power | Variation ** |
|------------|-----------|-----------|--------------|
| + 10 dBm   | _____dBm  | _____dBm  | _____dB      |

\*\* Maximum variation is 1.6 dB.

**Power Level Flatness Test Procedure (Analog Sweep) (Model 68353B only)**

| Set L1 to: | Max Power | Min Power | Variation *** |
|------------|-----------|-----------|---------------|
| + 10 dBm   | _____dBm  | _____dBm  | _____dB       |

\*\*\* Maximum variation is 2.0 dB (2 to 20 GHz); 4.0 dB (20 to 26.5 GHz)(typical, not a specification).

**3-11 Power Level Accuracy and Flatness Tests (Continued)  
(Model 68253B/68353B with Option 15B High Power & Option 2A Step Attenuator)**

**Power Level Accuracy Test Procedure**

| Set F1 to 5.0 GHz |                  | Set F1 to 22.0 GHz |                  |
|-------------------|------------------|--------------------|------------------|
| Set L1 to:        | Measured Power * | Set L1 to:         | Measured Power * |
| +11 dBm           | _____dBm         | + 7.5 dBm          | _____dBm         |
| +10 dBm           | _____dBm         | + 6.5 dBm          | _____dBm         |
| + 9 dBm           | _____dBm         | + 5.5 dBm          | _____dBm         |
| + 8 dBm           | _____dBm         | + 4.5 dBm          | _____dBm         |
| + 7 dBm           | _____dBm         | + 3.5 dBm          | _____dBm         |
| + 6 dBm           | _____dBm         | + 2.5 dBm          | _____dBm         |
| + 5 dBm           | _____dBm         | + 1.5 dBm          | _____dBm         |
| + 4 dBm           | _____dBm         | + 0.5 dBm          | _____dBm         |
| + 3 dBm           | _____dBm         | - 0.5 dBm          | _____dBm         |
| + 2 dBm           | _____dBm         | - 1.5 dBm          | _____dBm         |
| + 1 dBm           | _____dBm         | - 2.5 dBm          | _____dBm         |
| + 0 dBm           | _____dBm         | - 3.5 dBm          | _____dBm         |
| - 1 dBm           | _____dBm         | - 4.5 dBm          | _____dBm         |

\* Specification is  $\pm 1.0$  dB.

\* Specification is  $\pm 1.0$  dB.

**Power Level Flatness Test Procedure (Step Sweep)**

| Set L1 to: | Max Power | Min Power | Variation ** |
|------------|-----------|-----------|--------------|
| + 7.5 dBm  | _____dBm  | _____dBm  | _____dB      |

\*\* Maximum variation is 1.6 dB.

**Power Level Flatness Test Procedure (Analog Sweep) (Model 68353B only)**

| Set L1 to: | Max Power | Min Power | Variation *** |
|------------|-----------|-----------|---------------|
| + 7.5 dBm  | _____dBm  | _____dBm  | _____dB       |

\*\*\* Maximum variation is 6.0 dB (2 to 20 GHz); 8.2 dB (20 to 26.5 GHz)(typical, not a specification).

**3-12 Amplitude Modulation Test**

| <b>AM Input Sensitivity Procedure</b>                                 | <b>Lower Limit</b> | <b>Measured Value</b> | <b>Upper Limit</b> |
|---|--------------------|-----------------------|--------------------|
| Set F1 to 5.0 GHz   |                    |                       |                    |
| Measure and record the Modulation Analyzer AM PK(+) reading . . . . . |                    | _____                 |                    |
| Measure and record the Modulation Analyzer AM PK(-) reading . . . . . |                    | _____                 |                    |
| Calculate and record the actual AM input sensitivity . . . . .        | 45%                | _____ %               | 55%                |

**3-13 Frequency Modulation Tests**

| <b>FM Input Sensitivity Procedure<br/>(Unlocked Wide FM Mode)</b>  | <b>Lower Limit</b> | <b>Measured Value</b> | <b>Upper Limit</b> |
|--|--------------------|-----------------------|--------------------|
| Set F1 to 5.0 GHz  |                    |                       |                    |
| Measure and record the low carrier frequency . . . . .             |                    | _____ MHz             |                    |
| Measure and record the high carrier frequency . . . . .            |                    | _____ MHz             |                    |
| Calculate and record the actual peak-to-peak frequency deviation . | 190 MHz            | _____ MHz             | 210 MHz            |

| <b>FM Input Sensitivity Procedure<br/>(Unlocked Narrow FM Mode)</b>        |       |           |        |
|--|-------|-----------|--------|
| Set F1 to 5.0 GHz  |       |           |        |
| Record the FM deviation frequency displayed on the 68253B/68353B . . . . . |       | _____ MHz |        |
| Calculate and record the FM accuracy . . . . .                             | 93.7% | _____ %   | 106.3% |

| <b>FM Input Sensitivity Procedure<br/>(Locked FM Mode)</b>                 |       |           |        |
|--|-------|-----------|--------|
| Set F1 to 5.0 GHz  |       |           |        |
| Record the FM deviation frequency displayed on the 68253B/68353B . . . . . |       | _____ MHz |        |
| Calculate and record the FM accuracy . . . . .                             | 93.7% | _____ %   | 106.3% |

**3-13 Frequency Modulation Tests (Continued)**

**FM Input Sensitivity Procedure  
(Locked Low-Noise FM Mode)**

|  | Lower Limit | Measured Value | Upper Limit |
|--|-------------|----------------|-------------|
| Set F1 to 5.0 GHz  |             |                |             |
| Record the FM deviation frequency displayed on the 68253B/68353B . . . . . |             | _____ MHz      |             |
| Calculate and record the FM accuracy . . . . .                             | 93.7%       | _____ %        | 106.3%      |

**3-14 Pulse Modulation Tests: Rise Time, Fall Time, Overshoot, and Level**

**Rise Time, Fall Time, and Overshoot**

|                                   | Lower Limit | Measured Value | Upper Limit |
|-----------------------------------|-------------|----------------|-------------|
| Set F1 to 5.0 GHz                 |             |                |             |
| Measure and record the following: |             |                |             |
| Rise Time . . . . .               | N/A         | _____ ns       | 10 ns       |
| Pulse Width . . . . .             | -10 ns      | _____ $\mu$ s  | +10 ns      |
| PRI (period) . . . . .            | -10 ns      | _____ ms       | +10 ns      |
| Overshoot . . . . .               | N/A         | _____ %        | 10%         |

**Pulse Level Accuracy (5 GHz, Pulse Width = 0.5  $\mu$ s)**

|   |         |           |         |
|---|---------|-----------|---------|
| Set F1 to 5.0 GHz   |         |           |         |
| Set pulse width W1 to 0.5 $\mu$ s                         |         |           |         |
| Record the displayed output level L1 (step 5.b) . . . . . |         | _____ dBm |         |
| Record the displayed output level L1 (step 5.d) . . . . . |         | _____ dBm |         |
| Calculate and record the pulse level error. . . . .       | -1.0 dB | _____ dB  | +1.0 dB |

**Pulse Level Accuracy (5 GHz, Pulse Width = 5.0  $\mu$ s)**

|   |         |           |         |
|---|---------|-----------|---------|
| Set F1 to 5.0 GHz   |         |           |         |
| Set pulse width W1 to 5.0 $\mu$ s                         |         |           |         |
| Record the displayed output level L1 (step 5.b) . . . . . |         | _____ dBm |         |
| Record the displayed output level L1 (step 5.d) . . . . . |         | _____ dBm |         |
| Calculate and record the pulse level error. . . . .       | -0.5 dB | _____ dB  | +0.5 dB |



**3-15 Pulse Modulation Test: Video Feedthrough**

| <b>Test Procedure</b>   | <b>Lower Limit</b> | <b>Measured Value</b> | <b>Upper Limit</b> |
|---|--------------------|-----------------------|--------------------|
| Set F1 to 5.0 GHz<br>Set pulse width W1 to 5.0 $\mu$ s<br>Set PRI (period) to 0.01 ms |                    |                       |                    |
| Measure and record the Video Feedthrough voltage spikes . . . .                       | -10 mV             | _____ mV              | +10 mV             |

**3-16 Pulse Modulation Test: RF On/Off Ratio**

| <b>Test Procedure</b>  | <b>Lower Limit</b> | <b>Measured Value</b> | <b>Upper Limit</b> |
|--|--------------------|-----------------------|--------------------|
| Set F1 to 5.0 GHz  |                    |                       |                    |
| Measure and record the peak of the signal on the Spectrum Analyzer. (Measured signal must be >60 dB below top graticule to meet specification; this represents an On/Off Ratio of >80 dB.) . | 60 dB              | _____ dB              | N/A                |

**3-17 Phase Modulation Tests**

| <b><math>\Phi</math>M Input Sensitivity Procedure<br/>(Wide <math>\Phi</math>M Mode)</b> | <b>Lower Limit</b> | <b>Measured Value</b> | <b>Upper Limit</b> |
|--|--------------------|-----------------------|--------------------|
| Set F1 to 5.0 GHz  |                    |                       |                    |
| Record the $\Phi$ M deviation displayed on the 68253B/68353B . . . . .                   |                    | _____ rad             |                    |
| Calculate and record the $\Phi$ M accuracy . . . . .                                     | 93.7%              | _____ %               | 106.3%             |

| <b><math>\Phi</math>M Input Sensitivity Procedure<br/>(Narrow <math>\Phi</math>M Mode)</b> | <b>Lower Limit</b> | <b>Measured Value</b> | <b>Upper Limit</b> |
|--|--------------------|-----------------------|--------------------|
| Set F1 to 5.0 GHz  |                    |                       |                    |
| Record the $\Phi$ M deviation displayed on the 68253B/68353B . . . . .                     |                    | _____ rad             |                    |
| Calculate and record the $\Phi$ M accuracy . . . . .                                       | 93.7%              | _____ %               | 106.3%             |



**ANRITSU Model 68253B/68353B**

**Date:** \_\_\_\_\_

**Serial Number** \_\_\_\_\_

**Calibrated By:** \_\_\_\_\_

**4-7 Preliminary Calibration**

| <i><b>Procedure Step</b></i>   | <b>Step Completion</b> |
|--|------------------------|
| 1. Internal DVM Calibration (calterm119) . . . . .                   | _____                  |
| 2. Coarse Loop Pretune DAC Calibration (calterm 137) . . . . .       | _____                  |
| 3. Fine Loop Pretune DAC Calibration (calterm 136). . . . .          | _____                  |
| 4. Sweep Time DAC Calibration (calterm 132) . . . . .                | _____                  |
| 5. YIG Frequency Offset DAC Calibration (calterm 134) . . . . .      | _____                  |
| 6. YIG Frequency Linearizer DACs Calibration (calterm 127) . . . . . | _____                  |
| 7. 100 MHz Reference Oscillator Calibration (calterm 130) . . . . .  | _____                  |
| 8. Ramp Center DAC Calibration (calterm 129) . . . . .               | _____                  |
| 9. Sweep Width DAC Calibration (calterm 133) . . . . .               | _____                  |
| 10. Center Frequency DAC Calibration (calterm 114) . . . . .         | _____                  |
| 11. Store the Calibration Data . . . . .                             | _____                  |

**4-8 Switched Filter Shaper Calibration**

| <i><b>Log Amplifier Zero Calibration</b></i>                                     | <b>Step Completion</b> |
|--|------------------------|
| 1. Log Amplifier Zero Calibration (calterm 115) . . . . .                        | _____                  |
| <br><i><b>Limiter DAC Adjustment (Model 68253B/68353B's with Option 15B)</b></i> |                        |
| 2. Limiter DAC Adjustment (calterm 145). . . . .                                 | _____                  |
| <br><i><b>Shaper DAC Adjustment</b></i>  |                        |
| 2. Shaper DAC Adjustment (calterm 138) . . . . .                                 | _____                  |
| 3. Store the Calibration Data . . . . .  | _____                  |

**4-9 RF Level Calibration**

This calibration is performed using an automatic test system. Contact ANRITSU Customer Service for further information.

**4-10 ALC Slope Calibration (68353B having Firmware Version 1.01 to 2.00)**

| <b>Procedure Step</b>   | <b>Step Completion</b> |
|---|------------------------|
| 5. ALC Slope DAC adjustment for $\leq 2$ GHz<br>(This step is not applicable to the 68353B) . . . . . | _____ N/A _____        |
| 9. ALC Slope DAC adjustment for $> 2$ GHz . . . . .   | _____                  |
| 10. Store the DAC setting value(s) . . . . .  | _____                  |

**4-10 ALC Slope Calibration (68353B having Firmware Version 2.00 and above)**

| <b>Procedure Step</b>                       | <b>Step Completion</b> |
|---|------------------------|
| 5. ALC Slope DAC adjustment . . . . .       | _____                  |
| 6. Store the DAC setting value(s) . . . . . | _____                  |

**4-11 ALC Bandwidth Calibration**

| <b>Procedure Step</b>                                | <b>Step Completion</b> |
|--|------------------------|
| 1. ALC Bandwidth Calibration (Calterm 110) . . . . . | _____                  |
| 2. Store the Calibration Data . . . . .              | _____                  |

**4-12 AM Calibration**

| <b>Procedure Step</b>  | <b>Step Completion</b> |
|--|------------------------|
| 2. Linear AM Calibration (calterm 112) . . . . .             | _____                  |
| 3. Log AM Calibration (calterm 113) . . . . .                | _____                  |
| 4. AM Meter Calibration (calterm 147) . . . . .              | _____                  |
| 5. AM Function Generator Calibration (calterm 146) . . . . . | _____                  |
| 6. Store the Calibration Data . . . . .                      | _____                  |

**4-13 FM Calibration (68253B/68353B with Firmware Version 1.01 to 2.10)**

| <b>Procedure Step</b>   | <b>Step Completion</b> |
|---|------------------------|
| 1. FM Meter Calibration (calterm 123) . . . . .                       | _____                  |
| 2. FM Offset Balance Calibration (calterm 126) . . . . .              | _____                  |
| 3. External FM Wide Sensitivity Calibration (calterm 124) . . . . .   | _____                  |
| 4. External FM Narrow Sensitivity Calibration (calterm 125) . . . . . | _____                  |
| 5. Internal FM Wide Sensitivity Calibration (calterm 143) . . . . .   | _____                  |
| 6. Internal FM Narrow Sensitivity Calibration (calterm 144) . . . . . | _____                  |
| 7. Store the Calibration Data . . . . .                               | _____                  |

**4-13 FM Calibration (68253B with Firmware Version 2.18 and above;  
68353B with Firmware Version 2.20 and above)**

| <b>Procedure Step</b>   | <b>Step Completion</b> |
|---|------------------------|
| 1. FM Meter Calibration (calterm 123) . . . . .   | _____                  |
| 2. FM Variable Gain Linearity Calibration (calterm 148) . . . . .   | _____                  |
| 3. External Unlocked Wide FM Mode Sensitivity Calibration (calterm 124) . . . . .                                   | _____                  |
| 4. Internal Unlocked Wide FM Mode Sensitivity Calibration (calterm 143) . . . . .                                   | _____                  |
| 5. External Locked, Locked Low-Noise, and Unlocked Narrow FM Mode Sensitivity<br>Calibration (calterm 125). . . . . | _____                  |
| 6. Internal Locked, Locked Low-Noise, and Unlocked Narrow FM Mode Sensitivity<br>Calibration (calterm 144). . . . . | _____                  |
| 7. FM Rear Panel Input Gain Calibration (calterm 154) . . . . .   | _____                  |
| 8. Store the Calibration Data . . . . .   | _____                  |

**4-14 Phase Modulation ( $\Phi$ M) Calibration (Option 6)**

| <b>Procedure Step</b>  | <b>Step Completion</b> |
|--|------------------------|
| 1. External Wide $\Phi$ M Mode Sensitivity Calibration (calterm 149) . . . . .   | _____                  |
| 2. Internal Wide $\Phi$ M Mode Sensitivity Calibration (calterm 151) . . . . .   | _____                  |
| 3. Wide $\Phi$ M Mode Flatness Calibration (calterm 155) . . . . .               | _____                  |
| 4. External Narrow $\Phi$ M Mode Sensitivity Calibration (calterm 150) . . . . . | _____                  |
| 5. Internal Narrow $\Phi$ M Mode Sensitivity Calibration (calterm 152) . . . . . | _____                  |
| 6. Narrow $\Phi$ M Mode Flatness Calibration (calterm 156) . . . . .             | _____                  |
| 7. Store the Calibration Data . . . . .  | _____                  |

ANRITSU Model 68255B/68355B

Date: \_\_\_\_\_

Serial Number \_\_\_\_\_

Tested By: \_\_\_\_\_

|   |
|---|
| <b>3-6 Internal Time Base Aging Rate Test</b> |
|---|

| <i>Test Procedure</i>                                   | <b>Measured Value</b> | <b>Upper Limit</b>   |
|---|-----------------------|--|
| Record frequency error value . . . . .                  | _____                 |  |
| Record frequency error value (after 24 hours) . . . . . | _____                 |  |
| Record the computed aging rate . . . . .                | _____ per day         | $2 \times 10^{-8}$ per day<br>( $5 \times 10^{-10}$ per day<br>with Option 16) |

**3-7 Frequency Synthesis Tests**

**Coarse Loop/YIG Loop Test Procedure**

| Test Frequency (in GHz) | Measured Value * | Test Frequency (in GHz) | Measured Value * |
|-------------------------|------------------|-------------------------|------------------|
| 1.000 000 000           | _____            | 21.000 000 000          | _____            |
| 2.000 000 000           | _____            | 22.000 000 000          | _____            |
| 3.000 000 000           | _____            | 23.000 000 000          | _____            |
| 4.000 000 000           | _____            | 24.000 000 000          | _____            |
| 5.000 000 000           | _____            | 25.000 000 000          | _____            |
| 6.000 000 000           | _____            | 26.000 000 000          | _____            |
| 7.000 000 000           | _____            |                         |                  |
| 8.000 000 000           | _____            |                         |                  |
| 9.000 000 000           | _____            |                         |                  |
| 10.000 000 000          | _____            |                         |                  |
| 11.000 000 000          | _____            |                         |                  |
| 12.000 000 000          | _____            |                         |                  |
| 13.000 000 000          | _____            |                         |                  |
| 14.000 000 000          | _____            |                         |                  |
| 15.000 000 000          | _____            |                         |                  |
| 16.000 000 000          | _____            |                         |                  |
| 17.000 000 000          | _____            |                         |                  |
| 18.000 000 000          | _____            |                         |                  |
| 19.000 000 000          | _____            |                         |                  |
| 20.000 000 000          | _____            |                         |                  |

\* Specification for all frequencies listed above is  $\pm 100$  Hz.



**3-7 Frequency Synthesis Tests**

***Fine Loop Test Procedure (Standard 68X55B)***

| <b>Test Frequency (in GHz)</b> | <b>Measured Value **</b> |
|--------------------------------|--------------------------|
| 1.000 001 000                  | _____                    |
| 1.000 002 000                  | _____                    |
| 1.000 003 000                  | _____                    |
| 1.000 004 000                  | _____                    |
| 1.000 005 000                  | _____                    |
| 1.000 006 000                  | _____                    |
| 1.000 007 000                  | _____                    |
| 1.000 008 000                  | _____                    |
| 1.000 009 000                  | _____                    |
| 1.000 010 000                  | _____                    |

\*\* Specifications for all frequencies listed above is  $\pm 100$  Hz.

***Fine Loop Test Procedure (68X55B with Option 11)***

| <b>Test Frequency (in GHz)</b> | <b>Measured Value ***</b> |
|--------------------------------|---------------------------|
| 1.000 000 100                  | _____                     |
| 1.000 000 200                  | _____                     |
| 1.000 000 300                  | _____                     |
| 1.000 000 400                  | _____                     |
| 1.000 000 500                  | _____                     |
| 1.000 000 600                  | _____                     |
| 1.000 000 700                  | _____                     |
| 1.000 000 800                  | _____                     |
| 1.000 000 900                  | _____                     |
| 1.000 001 000                  | _____                     |

\*\*\* Specification for all frequencies listed above is  $\pm 10$  Hz.

**3-8 Spurious Signals Test: RF Output Signals  $\leq$ 2.2 GHz**

| <b>Test Procedure</b>                                     | <b>Measured Value</b> | <b>Upper Limit</b> |
|---|-----------------------|--------------------|
| Set F1 to 500 MHz   |                       |                    |
| Record the level of all harmonics of the 500 MHz carrier  |                       |                    |
| 1.0 GHz (2nd harmonic) . . . . .                          | _____dBc              | -50 dBc            |
| 1.5 GHz (3rd harmonic) . . . . .                          | _____dBc              | -50 dBc            |
| 2.0 GHz (4th harmonic) . . . . .                          | _____dBc              | -50 dBc            |
| 2.5 GHz (5th harmonic) . . . . .                          | _____dBc              | -50 dBc            |
| Set F1 to 800 MHz   |                       |                    |
| Record the level of all harmonics of the 800 MHz carrier: |                       |                    |
| 1.6 GHz (2nd harmonic) . . . . .                          | _____dBc              | -50 dBc            |
| 2.4 GHz (3rd harmonic) . . . . .                          | _____dBc              | -50 dBc            |
| 3.2 GHz (4th harmonic) . . . . .                          | _____dBc              | -50 dBc            |
| 4.0 GHz (5th harmonic) . . . . .                          | _____dBc              | -50 dBc            |
| Set F1 to 1.3 GHz   |                       |                    |
| Record the level of all harmonics of the 1.3 GHz carrier: |                       |                    |
| 2.6 GHz (2nd harmonic) . . . . .                          | _____dBc              | -50 dBc            |
| 3.9 GHz (3rd harmonic) . . . . .                          | _____dBc              | -50 dBc            |
| 5.2 GHz (4th harmonic) . . . . .                          | _____dBc              | -50 dBc            |
| 6.5 GHz (5th harmonic) . . . . .                          | _____dBc              | -50 dBc            |
| Set F1 to 2.1 GHz   |                       |                    |
| Record the level of all harmonics of the 2.1 GHz carrier: |                       |                    |
| 4.2 GHz (2nd harmonic) . . . . .                          | _____dBc              | -50 dBc            |
| 6.3 GHz (3rd harmonic) . . . . .                          | _____dBc              | -50 dBc            |
| 8.2 GHz (4th harmonic) . . . . .                          | _____dBc              | -50 dBc            |
| 10.2 GHz (5th harmonic) . . . . .                         | _____dBc              | -50 dBc            |

**3-9 Harmonic Test: RF Output Signals From 2.2 to 20 GHz**

**Test Procedure (2.2 to 10 GHz)**

Set F1 to 2.4 GHz

Record the level of all harmonics of the 2.4 GHz carrier:

|                                  | Measure Value | Upper Limit |
|----------------------------------|---------------|-------------|
| 4.8 GHz (2nd harmonic) . . . . . | _____dBc      | -60 dBc*    |
| 7.2 GHz (3rd harmonic). . . . .  | _____dBc      | -60 dBc*    |
| 9.6 GHz (4th harmonic). . . . .  | _____dBc      | -60 dBc*    |
| 12.0 GHz (5th harmonic). . . . . | _____dBc      | -60 dBc*    |
| 14.4 GHz (6th harmonic). . . . . | _____dBc      | -60 dBc*    |
| 16.8 GHz (7th harmonic). . . . . | _____dBc      | -60 dBc*    |
| 19.2 GHz (8th harmonic). . . . . | _____dBc      | -60 dBc*    |

Set F1 to 3.6 GHz

Record the level of all harmonics of the 3.6 GHz carrier:

|                                  |          |          |
|----------------------------------|----------|----------|
| 7.2 GHz (2nd harmonic) . . . . . | _____dBc | -60 dBc* |
| 10.8 GHz (3rd harmonic). . . . . | _____dBc | -60 dBc* |
| 14.4 GHz (4th harmonic). . . . . | _____dBc | -60 dBc* |
| 18.0 GHz (5th harmonic). . . . . | _____dBc | -60 dBc* |

Set F1 to 7.0 GHz

Record the level of all harmonics of the 7 GHz carrier:

|                                   |          |          |
|-----------------------------------|----------|----------|
| 14.0 GHz (2nd harmonic) . . . . . | _____dBc | -60 dBc* |
|-----------------------------------|----------|----------|

Set F1 to 10.0 GHz

Record the level of all harmonics of the 10 GHz carrier:

|                                   |          |          |
|-----------------------------------|----------|----------|
| 20.0 GHz (2nd harmonic) . . . . . | _____dBc | -60 dBc* |
|-----------------------------------|----------|----------|

\* -50 dBc if Option 15B (High Power) installed.

**Test Procedure (11 to 20 GHz)**

|  | Measure Value | Upper Limit |
|--|---------------|-------------|
| Set F1 to 12.4 GHz   |               |             |
| Record the level of all harmonics of the 12.4 GHz carrier: |               |             |
| 24.8 GHz (2nd harmonic) . . . . .                          | _____ dBc     | -60 dBc*    |
| 37.2 GHz (3rd harmonic) . . . . .                          | _____ dBc     | -60 dBc*    |
| Set F1 to 16.0 GHz   |               |             |
| Record the level of all harmonics of the 16.0 GHz carrier: |               |             |
| 32.0 GHz (2nd harmonic) . . . . .                          | _____ dBc     | -60 dBc*    |
| Set F1 to 20.0 GHz   |               |             |
| Record the level of all harmonics of the 20.0 GHz carrier: |               |             |
| 40.0 GHz (2nd harmonic) . . . . .                          | _____ dBc     | -60 dBc*    |

\* -50 dBc if Option 15B (High Power) installed.

**3-10 Single Sideband Phase Noise Test**

| <b>Test Procedure</b>                           | <b>Measured Value</b> | <b>Upper Limit</b> |
|---|-----------------------|--------------------|
| Set F1 to 0.6 GHz                               |                       |                    |
| Record the phase noise levels at these offsets: |                       |                    |
| 100 Hz . . . . .                                | _____ dBc             | -84 dBc            |
| 1 kHz . . . . .                                 | _____ dBc             | -97 dBc            |
| 10 kHz . . . . .                                | _____ dBc             | -95 dBc            |
| 100 kHz . . . . .                               | _____ dBc             | -112 dBc           |
| Set F1 to 2.0 GHz                               |                       |                    |
| Record the phase noise levels at these offsets: |                       |                    |
| 100 Hz . . . . .                                | _____ dBc             | -78 dBc            |
| 1 kHz . . . . .                                 | _____ dBc             | -91 dBc            |
| 10 kHz . . . . .                                | _____ dBc             | -89 dBc            |
| 100 kHz . . . . .                               | _____ dBc             | -106 dBc           |

**3-10 Single Sideband Phase Noise Test (Continued)**

| <i>Test Procedure</i>                           | <b>Measured Value</b> | <b>Upper Limit</b> |
|---|-----------------------|--------------------|
| Set F1 to 6.0 GHz                               |                       |                    |
| Record the phase noise levels at these offsets: |                       |                    |
| 100 Hz . . . . .                                | _____dBc              | -75 dBc            |
| 1 kHz . . . . .                                 | _____dBc              | -85 dBc            |
| 10 kHz . . . . .                                | _____dBc              | -83 dBc            |
| 100 kHz . . . . .                               | _____dBc              | -99 dBc            |
| Set F1 to 10.0 GHz                              |                       |                    |
| Record the phase noise levels at these offsets: |                       |                    |
| 100 Hz . . . . .                                | _____dBc              | -70 dBc            |
| 1 kHz . . . . .                                 | _____dBc              | -83 dBc            |
| 10 kHz . . . . .                                | _____dBc              | -80 dBc            |
| 100 kHz . . . . .                               | _____dBc              | -99 dBc            |
| Set F1 to 20.0 GHz                              |                       |                    |
| Record the phase noise levels at these offsets: |                       |                    |
| 100 Hz . . . . .                                | _____dBc              | -63 dBc            |
| 1 kHz . . . . .                                 | _____dBc              | -75 dBc            |
| 10 kHz . . . . .                                | _____dBc              | -75 dBc            |
| 100 kHz . . . . .                               | _____dBc              | -97 dBc            |
| Set F1 to 26.5 GHz                              |                       |                    |
| Record the phase noise levels at these offsets: |                       |                    |
| 100 Hz . . . . .                                | _____dBc              | -60 dBc            |
| 1 kHz . . . . .                                 | _____dBc              | -75 dBc            |
| 10 kHz . . . . .                                | _____dBc              | -73 dBc            |
| 100 kHz . . . . .                               | _____dBc              | -93 dBc            |

**3-11 Power Level Accuracy and Flatness Tests  
(Model 68255B/68355B without Option 2A Step Attenuator)**

**Power Level Accuracy Test Procedure**

| Set F1 to 1.0 GHz |                  | Set F1 to 5.0 GHz |                  | Set F1 to 22.0 GHz |                  |
|-------------------|------------------|-------------------|------------------|--------------------|------------------|
| Set L1 to:        | Measured Power * | Set L1 to:        | Measured Power * | Set L1 to:         | Measured Power * |
| +13 dBm           | _____dBm         | + 9 dBm           | _____dBm         | + 6 dBm            | _____dBm         |
| +12 dBm           | _____dBm         | + 8 dBm           | _____dBm         | + 5 dBm            | _____dBm         |
| +11 dBm           | _____dBm         | + 7 dBm           | _____dBm         | + 4 dBm            | _____dBm         |
| +10 dBm           | _____dBm         | + 6 dBm           | _____dBm         | + 3 dBm            | _____dBm         |
| + 9 dBm           | _____dBm         | + 5 dBm           | _____dBm         | + 2 dBm            | _____dBm         |
| + 8 dBm           | _____dBm         | + 4 dBm           | _____dBm         | + 1 dBm            | _____dBm         |
| + 7 dBm           | _____dBm         | + 3 dBm           | _____dBm         | + 0 dBm            | _____dBm         |
| + 6 dBm           | _____dBm         | + 2 dBm           | _____dBm         | - 1 dBm            | _____dBm         |
| + 5 dBm           | _____dBm         | + 1 dBm           | _____dBm         | - 2 dBm            | _____dBm         |
| + 4 dBm           | _____dBm         | + 0 dBm           | _____dBm         | - 3 dBm            | _____dBm         |
| + 3 dBm           | _____dBm         | - 1 dBm           | _____dBm         | - 4 dBm            | _____dBm         |
| + 2 dBm           | _____dBm         | - 2 dBm           | _____dBm         | - 5 dBm            | _____dBm         |
| + 1 dBm           | _____dBm         | - 3 dBm           | _____dBm         | - 6 dBm            | _____dBm         |

\* Specification is  $\pm 1.0$  dB.

\* Specification is  $\pm 1.0$  dB.

\* Specification is  $\pm 1.0$  dB.

**Power Level Flatness Test Procedure (Step Sweep)**

| Set L1 to: | Max Power | Min Power | Variation ** |
|------------|-----------|-----------|--------------|
| + 6 dBm    | _____dBm  | _____dBm  | _____dB      |

\*\* Maximum variation is 1.6 dB.

**Power Level Flatness Test Procedure (Analog Sweep) (Model 68355B only)**

| Set L1 to: | Max Power | Min Power | Variation *** |
|------------|-----------|-----------|---------------|
| + 6 dBm    | _____dBm  | _____dBm  | _____dB       |

\*\*\* Maximum variation is 2.0 dB (0.5 to 20 GHz); 4.0 dB (20 to 26.5 GHz)(typical, not a specification).

**3-11 Power Level Accuracy and Flatness Tests (Continued)  
(Model 68255B/68355B with Option 2A Step Attenuator)**

**Power Level Accuracy Test Procedure**

| Set F1 to 1.0 GHz |                  | Set F1 to 5.0 GHz |                  | Set F1 to 22.0 GHz |                  |
|-------------------|------------------|-------------------|------------------|--------------------|------------------|
| Set L1 to:        | Measured Power * | Set L1 to:        | Measured Power * | Set L1 to:         | Measured Power * |
| +11 dBm           | _____dBm         | + 7 dBm           | _____dBm         | + 3.5 dBm          | _____dBm         |
| +10 dBm           | _____dBm         | + 6 dBm           | _____dBm         | + 2.5 dBm          | _____dBm         |
| + 9 dBm           | _____dBm         | + 5 dBm           | _____dBm         | + 1.5 dBm          | _____dBm         |
| + 8 dBm           | _____dBm         | + 4 dBm           | _____dBm         | + 0.5 dBm          | _____dBm         |
| + 7 dBm           | _____dBm         | + 3 dBm           | _____dBm         | - 0.5 dBm          | _____dBm         |
| + 6 dBm           | _____dBm         | + 2 dBm           | _____dBm         | - 1.5 dBm          | _____dBm         |
| + 5 dBm           | _____dBm         | + 1 dBm           | _____dBm         | - 2.5 dBm          | _____dBm         |
| + 4 dBm           | _____dBm         | + 0 dBm           | _____dBm         | - 3.5 dBm          | _____dBm         |
| + 3 dBm           | _____dBm         | - 1 dBm           | _____dBm         | - 4.5 dBm          | _____dBm         |
| + 2 dBm           | _____dBm         | - 2 dBm           | _____dBm         | - 5.5 dBm          | _____dBm         |
| + 1 dBm           | _____dBm         | - 3 dBm           | _____dBm         | - 6.5 dBm          | _____dBm         |
| + 0 dBm           | _____dBm         | - 4 dBm           | _____dBm         | - 7.5 dBm          | _____dBm         |
| - 1 dBm           | _____dBm         | - 5 dBm           | _____dBm         | - 8.5 dBm          | _____dBm         |

\* Specification is  $\pm 1.0$  dB.

\* Specification is  $\pm 1.0$  dB.

\* Specification is  $\pm 1.0$  dB.

**Power Level Flatness Test Procedure (Step Sweep)**

| Set L1 to: | Max Power | Min Power | Variation ** |
|------------|-----------|-----------|--------------|
| + 3.5 dBm  | _____dBm  | _____dBm  | _____dB      |

\*\* Maximum variation is 1.6 dB.

**Power Level Flatness Test Procedure (Analog Sweep) (Model 68355B only)**

| Set L1 to: | Max Power | Min Power | Variation *** |
|------------|-----------|-----------|---------------|
| + 3.5 dBm  | _____dBm  | _____dBm  | _____dB       |

\*\*\* Maximum variation is 6.0 dB (0.5 to 20 GHz); 8.2 dB (20 to 26.5 GHz)(typical, not a specification).

**3-11 Power Level Accuracy and Flatness Tests (Continued)  
(Model 68255B/68355B with Option 15B High Power & without Option 2A Step Attenuator)**

**Power Level Accuracy Test Procedure**

| Set F1 to 1.0 GHz |                  | Set F1 to 5.0 GHz |                  | Set F1 to 22.0 GHz |                  |
|-------------------|------------------|-------------------|------------------|--------------------|------------------|
| Set L1 to:        | Measured Power * | Set L1 to:        | Measured Power * | Set L1 to:         | Measured Power * |
| +13 dBm           | _____dBm         | +13 dBm           | _____dBm         | +10 dBm            | _____dBm         |
| +12 dBm           | _____dBm         | +12 dBm           | _____dBm         | + 9 dBm            | _____dBm         |
| +11 dBm           | _____dBm         | +11 dBm           | _____dBm         | + 8 dBm            | _____dBm         |
| +10 dBm           | _____dBm         | +10 dBm           | _____dBm         | + 7 dBm            | _____dBm         |
| + 9 dBm           | _____dBm         | + 9 dBm           | _____dBm         | + 6 dBm            | _____dBm         |
| + 8 dBm           | _____dBm         | + 8 dBm           | _____dBm         | + 5 dBm            | _____dBm         |
| + 7 dBm           | _____dBm         | + 7 dBm           | _____dBm         | + 4 dBm            | _____dBm         |
| + 6 dBm           | _____dBm         | + 6 dBm           | _____dBm         | + 3 dBm            | _____dBm         |
| + 5 dBm           | _____dBm         | + 5 dBm           | _____dBm         | + 2 dBm            | _____dBm         |
| + 4 dBm           | _____dBm         | + 4 dBm           | _____dBm         | + 1 dBm            | _____dBm         |
| + 3 dBm           | _____dBm         | + 3 dBm           | _____dBm         | + 0 dBm            | _____dBm         |
| + 2 dBm           | _____dBm         | + 2 dBm           | _____dBm         | - 1 dBm            | _____dBm         |
| + 1 dBm           | _____dBm         | + 1 dBm           | _____dBm         | - 2 dBm            | _____dBm         |

\* Specification is  $\pm 1.0$  dB.

\* Specification is  $\pm 1.0$  dB.

\* Specification is  $\pm 1.0$  dB.

**Power Level Flatness Test Procedure (Step Sweep)**

| Set L1 to: | Max Power | Min Power | Variation ** |
|------------|-----------|-----------|--------------|
| + 10 dBm   | _____dBm  | _____dBm  | _____dB      |

\*\* Maximum variation is 1.6 dB.

**Power Level Flatness Test Procedure (Analog Sweep) (Model 68355B only)**

| Set L1 to: | Max Power | Min Power | Variation *** |
|------------|-----------|-----------|---------------|
| + 10 dBm   | _____dBm  | _____dBm  | _____dB       |

\*\*\* Maximum variation is 2.0 dB (0.5 to 20 GHz); 4.0 dB (20 to 26.5 GHz)(typical, not a specification).



**3-11 Power Level Accuracy and Flatness Tests (Continued)  
(Model 68255B/68355B with Option 15B High Power & Option 2A Step Attenuator)**

**Power Level Accuracy Test Procedure**

| Set F1 to 1.0 GHz |                  | Set F1 to 5.0 GHz |                  | Set F1 to 22.0 GHz |                  |
|-------------------|------------------|-------------------|------------------|--------------------|------------------|
| Set L1 to:        | Measured Power * | Set L1 to:        | Measured Power * | Set L1 to:         | Measured Power * |
| +11 dBm           | _____dBm         | +11 dBm           | _____dBm         | + 7.5 dBm          | _____dBm         |
| +10 dBm           | _____dBm         | +10 dBm           | _____dBm         | + 6.5 dBm          | _____dBm         |
| + 9 dBm           | _____dBm         | + 9 dBm           | _____dBm         | + 5.5 dBm          | _____dBm         |
| + 8 dBm           | _____dBm         | + 8 dBm           | _____dBm         | + 4.5 dBm          | _____dBm         |
| + 7 dBm           | _____dBm         | + 7 dBm           | _____dBm         | + 3.5 dBm          | _____dBm         |
| + 6 dBm           | _____dBm         | + 6 dBm           | _____dBm         | + 2.5 dBm          | _____dBm         |
| + 5 dBm           | _____dBm         | + 5 dBm           | _____dBm         | + 1.5 dBm          | _____dBm         |
| + 4 dBm           | _____dBm         | + 4 dBm           | _____dBm         | + 0.5 dBm          | _____dBm         |
| + 3 dBm           | _____dBm         | + 3 dBm           | _____dBm         | - 0.5 dBm          | _____dBm         |
| + 2 dBm           | _____dBm         | + 2 dBm           | _____dBm         | - 1.5 dBm          | _____dBm         |
| + 1 dBm           | _____dBm         | + 1 dBm           | _____dBm         | - 2.5 dBm          | _____dBm         |
| + 0 dBm           | _____dBm         | + 0 dBm           | _____dBm         | - 3.5 dBm          | _____dBm         |
| - 1 dBm           | _____dBm         | - 1 dBm           | _____dBm         | - 4.5 dBm          | _____dBm         |

\* Specification is  $\pm 1.0$  dB.

\* Specification is  $\pm 1.0$  dB.

\* Specification is  $\pm 1.0$  dB.

**Power Level Flatness Test Procedure (Step Sweep)**

| Set L1 to: | Max Power | Min Power | Variation ** |
|------------|-----------|-----------|--------------|
| + 7.5 dBm  | _____dBm  | _____dBm  | _____dB      |

\*\* Maximum variation is 1.6 dB.

**Power Level Flatness Test Procedure (Analog Sweep) (Model 68355B only)**

| Set L1 to: | Max Power | Min Power | Variation *** |
|------------|-----------|-----------|---------------|
| + 7.5 dBm  | _____dBm  | _____dBm  | _____dB       |

\*\*\* Maximum variation is 6.0 dB (0.5 to 20 GHz); 8.2 dB (20 to 26.5 GHz)(typical, not a specification).

**3-12 Amplitude Modulation Test**

| <b>AM Input Sensitivity Procedure</b>                                 | <b>Lower Limit</b> | <b>Measured Value</b> | <b>Upper Limit</b> |
|---|--------------------|-----------------------|--------------------|
| Set F1 to 5.0 GHz   |                    |                       |                    |
| Measure and record the Modulation Analyzer AM PK(+) reading . . . . . |                    | _____                 |                    |
| Measure and record the Modulation Analyzer AM PK(-) reading . . . . . |                    | _____                 |                    |
| Calculate and record the actual AM input sensitivity . . . . .        | 45%                | _____ %               | 55%                |

**3-13 Frequency Modulation Tests**

| <b>FM Input Sensitivity Procedure<br/>(Unlocked Wide FM Mode)</b>  | <b>Lower Limit</b> | <b>Measured Value</b> | <b>Upper Limit</b> |
|--|--------------------|-----------------------|--------------------|
| Set F1 to 5.0 GHz  |                    |                       |                    |
| Measure and record the low carrier frequency . . . . .             |                    | _____ MHz             |                    |
| Measure and record the high carrier frequency . . . . .            |                    | _____ MHz             |                    |
| Calculate and record the actual peak-to-peak frequency deviation . | 190 MHz            | _____ MHz             | 210 MHz            |

| <b>FM Input Sensitivity Procedure<br/>(Unlocked Narrow FM Mode)</b>        | <b>Lower Limit</b> | <b>Measured Value</b> | <b>Upper Limit</b> |
|--|--------------------|-----------------------|--------------------|
| Set F1 to 5.0 GHz  |                    |                       |                    |
| Record the FM deviation frequency displayed on the 68255B/68355B . . . . . |                    | _____ MHz             |                    |
| Calculate and record the FM accuracy . . . . .                             | 93.7%              | _____ %               | 106.3%             |

| <b>FM Input Sensitivity Procedure<br/>(Locked FM Mode)</b>                 | <b>Lower Limit</b> | <b>Measured Value</b> | <b>Upper Limit</b> |
|--|--------------------|-----------------------|--------------------|
| Set F1 to 5.0 GHz  |                    |                       |                    |
| Record the FM deviation frequency displayed on the 68255B/68355B . . . . . |                    | _____ MHz             |                    |
| Calculate and record the FM accuracy . . . . .                             | 93.7%              | _____ %               | 106.3%             |

**3-13 Frequency Modulation Tests (Continued)**

**FM Input Sensitivity Procedure  
(Locked Low-Noise FM Mode)**

|  | Lower Limit | Measured Value | Upper Limit |
|--|-------------|----------------|-------------|
| Set F1 to 5.0 GHz  |             |                |             |
| Record the FM deviation frequency displayed on the 68255B/68355B . . . . . |             | _____ MHz      |             |
| Calculate and record the FM accuracy . . . . .                             | 93.7%       | _____ %        | 106.3%      |

**3-14 Pulse Modulation Tests: Rise Time, Fall Time, Overshoot, and Level**

**Rise Time, Fall Time, and Overshoot**

|                                   | Lower Limit | Measured Value | Upper Limit |
|-----------------------------------|-------------|----------------|-------------|
| Set F1 to 5.0 GHz                 |             |                |             |
| Measure and record the following: |             |                |             |
| Rise Time . . . . .               | N/A         | _____ ns       | 10 ns       |
| Pulse Width . . . . .             | -10 ns      | _____ $\mu$ s  | +10 ns      |
| PRI (period) . . . . .            | -10 ns      | _____ ms       | +10 ns      |
| Overshoot . . . . .               | N/A         | _____ %        | 10%         |

**Pulse Level Accuracy (1 GHz, Pulse Width = 1.0  $\mu$ s)**

|   |         |           |         |
|---|---------|-----------|---------|
| Set F1 to 1.0 GHz   |         |           |         |
| Set pulse width W1 to 1.0 $\mu$ s                         |         |           |         |
| Record the displayed output level L1 (step 5.b) . . . . . |         | _____ dBm |         |
| Record the displayed output level L1 (step 5.d) . . . . . |         | _____ dBm |         |
| Calculate and record the pulse level error. . . . .       | -1.0 dB | _____ dB  | +1.0 dB |

**Pulse Level Accuracy (1 GHz, Pulse Width = 5.0  $\mu$ s)**

|   |         |           |         |
|---|---------|-----------|---------|
| Set F1 to 1.0 GHz   |         |           |         |
| Set pulse width W1 to 5.0 $\mu$ s                         |         |           |         |
| Record the displayed output level L1 (step 5.b) . . . . . |         | _____ dBm |         |
| Record the displayed output level L1 (step 5.d) . . . . . |         | _____ dBm |         |
| Calculate and record the pulse level error. . . . .       | -0.5 dB | _____ dB  | +0.5 dB |

**3-14 Pulse Modulation Tests: Rise Time, Fall Time, Overshoot, and Level (Continued)**

| <i>Pulse Level Accuracy (5 GHz, Pulse Width = 0.5 μs)</i> | Lower Limit | Measured Value | Upper Limit |
|---|-------------|----------------|-------------|
| Set F1 to 5.0 GHz<br>Set pulse width W1 to 5.0 μs         |             |                |             |
| Record the displayed output level L1 (step 5.b) . . . . . |             | _____ dBm      |             |
| Record the displayed output level L1 (step 5.d) . . . . . |             | _____ dBm      |             |
| Calculate and record the pulse level error. . . . .       | -1.0 dB     | _____ dB       | +1.0 dB     |

**Pulse Level Accuracy (5 GHz, Pulse Width = 5.0 μs)**

|   |         |           |         |
|---|---------|-----------|---------|
| Set F1 to 5.0 GHz<br>Set pulse width W1 to 5.0 μs         |         |           |         |
| Record the displayed output level L1 (step 5.b) . . . . . |         | _____ dBm |         |
| Record the displayed output level L1 (step 5.d) . . . . . |         | _____ dBm |         |
| Calculate and record the pulse level error. . . . .       | -0.5 dB | _____ dB  | +0.5 dB |

**3-15 Pulse Modulation Test: Video Feedthrough**

| <i>Test Procedure</i>  | Lower Limit | Measured Value | Upper Limit |
|--|-------------|----------------|-------------|
| Set F1 to 5.0 GHz<br>Set pulse width W1 to 5.0 μs<br>Set PRI (period) to 0.01 ms |             |                |             |
| Measure and record the Video Feedthrough voltage spikes . . . . .                | -10 mV      | _____ mV       | +10 mV      |

**3-16 Pulse Modulation Test: RF On/Off Ratio**

**Test Procedure (1 GHz)**

Set F1 to 1.10 GHz

Measure and record the peak of the signal on the Spectrum Analyzer. (Measured signal must be >60 dB below top graticule to meet specification; this represents an On/Off Ratio of >80 dB.) .

**Lower Limit    Measured Value    Upper Limit**

60 dB                  \_\_\_\_\_ dB                  N/A

**Test Procedure (5 GHz)**

Set F1 to 5.0 GHz

Measure and record the peak of the signal on the Spectrum Analyzer. (Measured signal must be >60 dB below top graticule to meet specification; this represents an On/Off Ratio of >80 dB.) .

60 dB                  \_\_\_\_\_ dB                  N/A

**3-17 Phase Modulation Tests**

***ΦM Input Sensitivity Procedure  
(Wide ΦM Mode)***

Set F1 to 5.0 GHz

Record the ΦM deviation displayed on the 68255B/68355B . . . . . \_\_\_\_\_ rad

Calculate and record the ΦM accuracy . . . . .

**Lower Limit    Measured Value    Upper Limit**  
  
93.7%                  \_\_\_\_\_ %                  106.3%

***ΦM Input Sensitivity Procedure  
(Narrow ΦM Mode)***

Set F1 to 5.0 GHz

Record the ΦM deviation displayed on the 68255B/68355B . . . . . \_\_\_\_\_ rad

Calculate and record the ΦM accuracy . . . . .

93.7%                  \_\_\_\_\_ %                  106.3%



ANRITSU Model 68255B/68355B

Date: \_\_\_\_\_

Serial Number \_\_\_\_\_

Calibrated By: \_\_\_\_\_

**4-7 Preliminary Calibration**

| <i><b>Procedure Step</b></i>   | <b>Step Completion</b> |
|--|------------------------|
| 1. Internal DVM Calibration (calterm119) . . . . .                   | _____                  |
| 2. Coarse Loop Pretune DAC Calibration (calterm 137) . . . . .       | _____                  |
| 3. Fine Loop Pretune DAC Calibration (calterm 136). . . . .          | _____                  |
| 4. Sweep Time DAC Calibration (calterm 132) . . . . .                | _____                  |
| 5. YIG Frequency Offset DAC Calibration (calterm 134) . . . . .      | _____                  |
| 6. YIG Frequency Linearizer DACs Calibration (calterm 127) . . . . . | _____                  |
| 7. 100 MHz Reference Oscillator Calibration (calterm 130) . . . . .  | _____                  |
| 8. Ramp Center DAC Calibration (calterm 129) . . . . .               | _____                  |
| 9. Sweep Width DAC Calibration (calterm 133) . . . . .               | _____                  |
| 10. Center Frequency DAC Calibration (calterm 114) . . . . .         | _____                  |
| 11. Store the Calibration Data . . . . .                             | _____                  |

**4-8 Switched Filter Shaper Calibration**

| <i><b>Log Amplifier Zero Calibration</b></i>              | <b>Step Completion</b> |
|---|------------------------|
| 1. Log Amplifier Zero Calibration (calterm 115) . . . . . | _____                  |

***Limiter DAC Adjustment (Model 68255B/68355B's with Option 15B)***

|  |       |
|--|-------|
| 2. Limiter DAC Adjustment (calterm 145). . . . . | _____ |
|--|-------|

***Shaper DAC Adjustment***

|  |       |
|--|-------|
| 2. Shaper DAC Adjustment (calterm 138) . . . . . | _____ |
| 3. Store the Calibration Data . . . . .          | _____ |

**4-9 RF Level Calibration**

This calibration is performed using an automatic test system. Contact ANRITSU Customer Service for further information.

**4-10 ALC Slope Calibration (68355B having Firmware Version 1.00 and above)**

| <i>Procedure Step</i>                      | <i>Step Completion</i> |
|--|------------------------|
| 5. ALC Slope DAC adjustment . . . . .      | _____                  |
| 6. Store the DAC setting value(s). . . . . | _____                  |

**4-11 ALC Bandwidth Calibration**

| <i>Procedure Step</i>                                | <i>Step Completion</i> |
|--|------------------------|
| 1. ALC Bandwidth Calibration (Calterm 110) . . . . . | _____                  |
| 2. Store the Calibration Data . . . . .              | _____                  |

**4-12 AM Calibration**

| <i>Procedure Step</i>  | <i>Step Completion</i> |
|--|------------------------|
| 2. Linear AM Calibration (calterm 112) . . . . .             | _____                  |
| 3. Log AM Calibration (calterm 113) . . . . .                | _____                  |
| 4. AM Meter Calibration (calterm 147) . . . . .              | _____                  |
| 5. AM Function Generator Calibration (calterm 146) . . . . . | _____                  |
| 6. Store the Calibration Data . . . . .                      | _____                  |



**4-13 FM Calibration (68255B/68355B with Firmware Version 1.00)**

| <b>Procedure Step</b>   | <b>Step Completion</b> |
|---|------------------------|
| 1. FM Meter Calibration (calterm 123) . . . . .                       | _____                  |
| 2. FM Offset Balance Calibration (calterm 126) . . . . .              | _____                  |
| 3. External FM Wide Sensitivity Calibration (calterm 124) . . . . .   | _____                  |
| 4. External FM Narrow Sensitivity Calibration (calterm 125) . . . . . | _____                  |
| 5. Internal FM Wide Sensitivity Calibration (calterm 143) . . . . .   | _____                  |
| 6. Internal FM Narrow Sensitivity Calibration (calterm 144) . . . . . | _____                  |
| 7. Store the Calibration Data . . . . .                               | _____                  |

**4-13 FM Calibration (68255B/68355B with Firmware Version 1.07 and above)**

| <b>Procedure Step</b>  | <b>Step Completion</b> |
|--|------------------------|
| 1. FM Meter Calibration (calterm 123) . . . . .  | _____                  |
| 2. FM Variable Gain Linearity Calibration (calterm 148) . . . . .  | _____                  |
| 3. External Unlocked Wide FM Mode Sensitivity Calibration (calterm 124) . . . . .                                | _____                  |
| 4. Internal Unlocked Wide FM Mode Sensitivity Calibration (calterm 143) . . . . .                                | _____                  |
| 5. External Locked, Locked Low-Noise, and Unlocked Narrow FM Mode Sensitivity Calibration (calterm 125). . . . . | _____                  |
| 6. Internal Locked, Locked Low-Noise, and Unlocked Narrow FM Mode Sensitivity Calibration (calterm 144). . . . . | _____                  |
| 7. FM Rear Panel Input Gain Calibration (calterm 154) . . . . .  | _____                  |
| 8. Store the Calibration Data . . . . .  | _____                  |

**4-14 Phase Modulation (ΦM) Calibration (Option 6)**

| <b>Procedure Step</b>  | <b>Step Completion</b> |
|--|------------------------|
| 1. External Wide ΦM Mode Σενσιτιβιτη Χαλιβρατιον (χαλτερι 149) . . . . .   | _____                  |
| 2. Internal Wide ΦM Mode Sensitivity Calibration (calterm 151) . . . . .   | _____                  |
| 3. Wide ΦM Mode Flatness Calibration (calterm 155) . . . . .               | _____                  |
| 4. External Narrow ΦM Mode Sensitivity Calibration (calterm 150) . . . . . | _____                  |
| 5. Internal Narrow ΦM Mode Sensitivity Calibration (calterm 152) . . . . . | _____                  |
| 6. Narrow ΦM Mode Flatness Calibration (calterm 156) . . . . .             | _____                  |
| 7. Store the Calibration Data . . . . .                                    | _____                  |

ANRITSU Model 68259B/68359B

Date: \_\_\_\_\_

Serial Number \_\_\_\_\_

Tested By: \_\_\_\_\_

|   |
|---|
| <b>3-6 Internal Time Base Aging Rate Test</b> |
|---|

| <i>Test Procedure</i>                                   | <b>Measured Value</b> | <b>Upper Limit</b>   |
|---|-----------------------|--|
| Record frequency error value . . . . .                  | _____                 |  |
| Record frequency error value (after 24 hours) . . . . . | _____                 |  |
| Record the computed aging rate . . . . .                | _____ per day         | $2 \times 10^{-8}$ per day<br>( $5 \times 10^{-10}$ per day<br>with Option 16) |

**3-7 Frequency Synthesis Tests**

**Coarse Loop/YIG Loop Test Procedure**

| Test Frequency (in GHz) | Measured Value * | Test Frequency (in GHz) | Measured Value * |
|-------------------------|------------------|-------------------------|------------------|
| 1.000 000 000           | _____            | 21.000 000 000          | _____            |
| 2.000 000 000           | _____            | 22.000 000 000          | _____            |
| 3.000 000 000           | _____            | 23.000 000 000          | _____            |
| 4.000 000 000           | _____            | 24.000 000 000          | _____            |
| 5.000 000 000           | _____            | 25.000 000 000          | _____            |
| 6.000 000 000           | _____            | 26.000 000 000          | _____            |
| 7.000 000 000           | _____            |                         |                  |
| 8.000 000 000           | _____            |                         |                  |
| 9.000 000 000           | _____            |                         |                  |
| 10.000 000 000          | _____            |                         |                  |
| 11.000 000 000          | _____            |                         |                  |
| 12.000 000 000          | _____            |                         |                  |
| 13.000 000 000          | _____            |                         |                  |
| 14.000 000 000          | _____            |                         |                  |
| 15.000 000 000          | _____            |                         |                  |
| 16.000 000 000          | _____            |                         |                  |
| 17.000 000 000          | _____            |                         |                  |
| 18.000 000 000          | _____            |                         |                  |
| 19.000 000 000          | _____            |                         |                  |
| 20.000 000 000          | _____            |                         |                  |

\* Specification for all frequencies listed above is  $\pm 100$  Hz.

**3-7 Frequency Synthesis Tests**

***Fine Loop Test Procedure (Standard 68X59B)***

| <b>Test Frequency (in GHz)</b> | <b>Measured Value **</b> |
|--------------------------------|--------------------------|
| 1.000 001 000                  | _____                    |
| 1.000 002 000                  | _____                    |
| 1.000 003 000                  | _____                    |
| 1.000 004 000                  | _____                    |
| 1.000 005 000                  | _____                    |
| 1.000 006 000                  | _____                    |
| 1.000 007 000                  | _____                    |
| 1.000 008 000                  | _____                    |
| 1.000 009 000                  | _____                    |
| 1.000 010 000                  | _____                    |

\*\* Specifications for all frequencies listed above is  $\pm 100$  Hz.

***Fine Loop Test Procedure (68X59B with Option 11)***

| <b>Test Frequency (in GHz)</b> | <b>Measured Value ***</b> |
|--------------------------------|---------------------------|
| 1.000 000 100                  | _____                     |
| 1.000 000 200                  | _____                     |
| 1.000 000 300                  | _____                     |
| 1.000 000 400                  | _____                     |
| 1.000 000 500                  | _____                     |
| 1.000 000 600                  | _____                     |
| 1.000 000 700                  | _____                     |
| 1.000 000 800                  | _____                     |
| 1.000 000 900                  | _____                     |
| 1.000 001 000                  | _____                     |

\*\*\* Specification for all frequencies listed above is  $\pm 10$  Hz.

**3-8 Spurious Signals Test: RF Output Signals <2 GHz**

| <b>Test Procedure</b>  | <b>Measured Value</b> | <b>Upper Limit</b> |
|--|-----------------------|--------------------|
| Set F1 to 10 MHz   |                       |                    |
| Record the presence of the worst case harmonic . . . . .     | _____ dBc             | -30 dBc            |
| Record the presence of the worst case non-harmonic . . . . . | _____ dBc             | -40 dBc            |
| Set F1 to 20 MHz   |                       |                    |
| Record the presence of the worst case harmonic . . . . .     | _____ dBc             | -30 dBc            |
| Record the presence of the worst case non-harmonic . . . . . | _____ dBc             | -40 dBc            |
| Set F1 to 30 MHz   |                       |                    |
| Record the presence of the worst case harmonic . . . . .     | _____ dBc             | -30 dBc            |
| Record the presence of the worst case non-harmonic . . . . . | _____ dBc             | -40 dBc            |
| Set F1 to 40 MHz   |                       |                    |
| Record the presence of the worst case harmonic . . . . .     | _____ dBc             | -30 dBc            |
| Record the presence of the worst case non-harmonic . . . . . | _____ dBc             | -40 dBc            |
| Set F1 to 350 MHz  |                       |                    |
| Record the presence of the worst case harmonic . . . . .     | _____ dBc             | -40 dBc            |
| Record the presence of the worst case non-harmonic . . . . . | _____ dBc             | -40 dBc            |
| Set F1 to 1.6 GHz  |                       |                    |
| Record the presence of the worst case non-harmonic . . . . . | _____ dBc             | -40 dBc            |
| Set F1 to 1.6 GHz  |                       |                    |
| Record the level of the harmonics of the 1.6 GHz carrier:    |                       |                    |
| 3.2 GHz (2nd harmonic) . . . . .                             | _____ dBc             | -40 dBc            |
| 4.8 GHz (3rd harmonic) . . . . .                             | _____ dBc             | -40 dBc            |

**3-9 Harmonic Test: RF Output Signals From 2 to 20 GHz**

**Test Procedure (2 to 10 GHz)**

Set F1 to 2.1 GHz

Record the level of all harmonics of the 2.1 GHz carrier:

|                                  | Measure Value | Upper Limit |
|----------------------------------|---------------|-------------|
| 4.2 GHz (2nd harmonic) . . . . . | _____dBc      | -60 dBc*    |
| 6.3 GHz (3rd harmonic). . . . .  | _____dBc      | -60 dBc*    |
| 8.4 GHz (4th harmonic). . . . .  | _____dBc      | -60 dBc*    |
| 10.5 GHz (5th harmonic). . . . . | _____dBc      | -60 dBc*    |
| 12.6 GHz (6th harmonic). . . . . | _____dBc      | -60 dBc*    |
| 14.7 GHz (7th harmonic). . . . . | _____dBc      | -60 dBc*    |
| 16.8 GHz (8th harmonic). . . . . | _____dBc      | -60 dBc*    |
| 18.9 GHz (9th harmonic). . . . . | _____dBc      | -60 dBc*    |

Set F1 to 3.6 GHz

Record the level of all harmonics of the 3.6 GHz carrier:

|                                   |          |          |
|-----------------------------------|----------|----------|
| 7.2 GHz (2nd harmonic) . . . . .  | _____dBc | -60 dBc* |
| 10.8 GHz (3rd harmonic). . . . .  | _____dBc | -60 dBc* |
| 14.4 GHz (4th harmonic). . . . .  | _____dBc | -60 dBc* |
| 18.0 GHz (5th harmonic) . . . . . | _____dBc | -60 dBc* |

Set F1 to 7.0 GHz

Record the level of all harmonics of the 7 GHz carrier:

|                                   |          |          |
|-----------------------------------|----------|----------|
| 14.0 GHz (2nd harmonic) . . . . . | _____dBc | -60 dBc* |
|-----------------------------------|----------|----------|

Set F1 to 10.0 GHz

Record the level of all harmonics of the 10 GHz carrier:

|                                   |          |          |
|-----------------------------------|----------|----------|
| 20.0 GHz (2nd harmonic) . . . . . | _____dBc | -60 dBc* |
|-----------------------------------|----------|----------|

\* -50 dBc if Option 15B (High Power) installed.

**Test Procedure (11 to 20 GHz)**

Set F1 to 12.4 GHz

Record the level of all harmonics of the 12.4 GHz carrier:

|                                   |           |          |
|-----------------------------------|-----------|----------|
| 24.8 GHz (2nd harmonic) . . . . . | _____ dBc | -60 dBc* |
|-----------------------------------|-----------|----------|

|                                   |           |          |
|-----------------------------------|-----------|----------|
| 37.2 GHz (3rd harmonic) . . . . . | _____ dBc | -60 dBc* |
|-----------------------------------|-----------|----------|

Set F1 to 16.0 GHz

Record the level of all harmonics of the 16.0 GHz carrier:

|                                   |           |          |
|-----------------------------------|-----------|----------|
| 32.0 GHz (2nd harmonic) . . . . . | _____ dBc | -60 dBc* |
|-----------------------------------|-----------|----------|

Set F1 to 20.0 GHz

Record the level of all harmonics of the 20.0 GHz carrier:

|                                   |           |          |
|-----------------------------------|-----------|----------|
| 40.0 GHz (2nd harmonic) . . . . . | _____ dBc | -60 dBc* |
|-----------------------------------|-----------|----------|

\* -50 dBc if Option 15B (High Power) installed.

**3-10 Single Sideband Phase Noise Test**

**Test Procedure**

**Measured Value**

**Upper Limit**

Set F1 to 0.6 GHz

Record the phase noise levels at these offsets:

|                  |           |         |
|------------------|-----------|---------|
| 100 Hz . . . . . | _____ dBc | -74 dBc |
|------------------|-----------|---------|

|                 |           |         |
|-----------------|-----------|---------|
| 1 kHz . . . . . | _____ dBc | -85 dBc |
|-----------------|-----------|---------|

|                  |           |         |
|------------------|-----------|---------|
| 10 kHz . . . . . | _____ dBc | -82 dBc |
|------------------|-----------|---------|

|                   |           |         |
|-------------------|-----------|---------|
| 100 kHz . . . . . | _____ dBc | -97 dBc |
|-------------------|-----------|---------|

Set F1 to 2.0 GHz

Record the phase noise levels at these offsets:

|                  |           |         |
|------------------|-----------|---------|
| 100 Hz . . . . . | _____ dBc | -77 dBc |
|------------------|-----------|---------|

|                 |           |         |
|-----------------|-----------|---------|
| 1 kHz . . . . . | _____ dBc | -85 dBc |
|-----------------|-----------|---------|

|                  |           |         |
|------------------|-----------|---------|
| 10 kHz . . . . . | _____ dBc | -83 dBc |
|------------------|-----------|---------|

|                   |           |         |
|-------------------|-----------|---------|
| 100 kHz . . . . . | _____ dBc | -99 dBc |
|-------------------|-----------|---------|



**3-10 Single Sideband Phase Noise Test (Continued)**

| <i>Test Procedure</i>                           | <b>Measured Value</b> | <b>Upper Limit</b> |
|---|-----------------------|--------------------|
| Set F1 to 6.0 GHz                               |                       |                    |
| Record the phase noise levels at these offsets: |                       |                    |
| 100 Hz . . . . .                                | _____dBc              | -75 dBc            |
| 1 kHz . . . . .                                 | _____dBc              | -85 dBc            |
| 10 kHz . . . . .                                | _____dBc              | -83 dBc            |
| 100 kHz . . . . .                               | _____dBc              | -99 dBc            |
| Set F1 to 10.0 GHz                              |                       |                    |
| Record the phase noise levels at these offsets: |                       |                    |
| 100 Hz . . . . .                                | _____dBc              | -70 dBc            |
| 1 kHz . . . . .                                 | _____dBc              | -83 dBc            |
| 10 kHz . . . . .                                | _____dBc              | -80 dBc            |
| 100 kHz . . . . .                               | _____dBc              | -99 dBc            |
| Set F1 to 20.0 GHz                              |                       |                    |
| Record the phase noise levels at these offsets: |                       |                    |
| 100 Hz . . . . .                                | _____dBc              | -63 dBc            |
| 1 kHz . . . . .                                 | _____dBc              | -75 dBc            |
| 10 kHz . . . . .                                | _____dBc              | -75 dBc            |
| 100 kHz . . . . .                               | _____dBc              | -97 dBc            |
| Set F1 to 26.5 GHz                              |                       |                    |
| Record the phase noise levels at these offsets: |                       |                    |
| 100 Hz . . . . .                                | _____dBc              | -60 dBc            |
| 1 kHz . . . . .                                 | _____dBc              | -75 dBc            |
| 10 kHz . . . . .                                | _____dBc              | -73 dBc            |
| 100 kHz . . . . .                               | _____dBc              | -93 dBc            |

**3-11 Power Level Accuracy and Flatness Tests  
(Model 68259B/68359B without Option 2A Step Attenuator)**

**Power Level Accuracy Test Procedure**

| Set F1 to 1.0 GHz |                  | Set F1 to 5.0 GHz |                  | Set F1 to 22.0 GHz |                  |
|-------------------|------------------|-------------------|------------------|--------------------|------------------|
| Set L1 to:        | Measured Power * | Set L1 to:        | Measured Power * | Set L1 to:         | Measured Power * |
| +13 dBm           | _____dBm         | + 9 dBm           | _____dBm         | + 6 dBm            | _____dBm         |
| +12 dBm           | _____dBm         | + 8 dBm           | _____dBm         | + 5 dBm            | _____dBm         |
| +11 dBm           | _____dBm         | + 7 dBm           | _____dBm         | + 4 dBm            | _____dBm         |
| +10 dBm           | _____dBm         | + 6 dBm           | _____dBm         | + 3 dBm            | _____dBm         |
| + 9 dBm           | _____dBm         | + 5 dBm           | _____dBm         | + 2 dBm            | _____dBm         |
| + 8 dBm           | _____dBm         | + 4 dBm           | _____dBm         | + 1 dBm            | _____dBm         |
| + 7 dBm           | _____dBm         | + 3 dBm           | _____dBm         | + 0 dBm            | _____dBm         |
| + 6 dBm           | _____dBm         | + 2 dBm           | _____dBm         | - 1 dBm            | _____dBm         |
| + 5 dBm           | _____dBm         | + 1 dBm           | _____dBm         | - 2 dBm            | _____dBm         |
| + 4 dBm           | _____dBm         | + 0 dBm           | _____dBm         | - 3 dBm            | _____dBm         |
| + 3 dBm           | _____dBm         | - 1 dBm           | _____dBm         | - 4 dBm            | _____dBm         |
| + 2 dBm           | _____dBm         | - 2 dBm           | _____dBm         | - 5 dBm            | _____dBm         |
| + 1 dBm           | _____dBm         | - 3 dBm           | _____dBm         | - 6 dBm            | _____dBm         |

\* Specification is ±1.0 dB.

\* Specification is ±1.0 dB.

\* Specification is ±1.0 dB.

**Power Level Flatness Test Procedure (Step Sweep)**

| Set L1 to: | Max Power | Min Power | Variation ** |
|------------|-----------|-----------|--------------|
| + 6 dBm    | _____dBm  | _____dBm  | _____dB      |

\*\* Maximum variation is 4.0 dB (0.01 to 0.05 GHz); 1.6 dB (0.05 to 26.5 GHz).

**Power Level Flatness Test Procedure (Analog Sweep) (Model 68359B only)**

| Set L1 to: | Max Power | Min Power | Variation *** |
|------------|-----------|-----------|---------------|
| + 6 dBm    | _____dBm  | _____dBm  | _____dB       |

\*\*\* Maximum variation is 4.0 dB (0.01 to 0.05 GHz); 2.0 dB (0.05 to 20 GHz); 4.0 dB (20 to 26.5 GHz)(typical, not a specification).

**3-11 Power Level Accuracy and Flatness Tests (Continued)  
(Model 68259B/68359B with Option 2A Step Attenuator)**

**Power Level Accuracy Test Procedure**

| Set F1 to 1.0 GHz |                  | Set F1 to 5.0 GHz |                  | Set F1 to 22.0 GHz |                  |
|-------------------|------------------|-------------------|------------------|--------------------|------------------|
| Set L1 to:        | Measured Power * | Set L1 to:        | Measured Power * | Set L1 to:         | Measured Power * |
| +11 dBm           | _____dBm         | + 7 dBm           | _____dBm         | + 3.5 dBm          | _____dBm         |
| +10 dBm           | _____dBm         | + 6 dBm           | _____dBm         | + 2.5 dBm          | _____dBm         |
| + 9 dBm           | _____dBm         | + 5 dBm           | _____dBm         | + 1.5 dBm          | _____dBm         |
| + 8 dBm           | _____dBm         | + 4 dBm           | _____dBm         | + 0.5 dBm          | _____dBm         |
| + 7 dBm           | _____dBm         | + 3 dBm           | _____dBm         | - 0.5 dBm          | _____dBm         |
| + 6 dBm           | _____dBm         | + 2 dBm           | _____dBm         | - 1.5 dBm          | _____dBm         |
| + 5 dBm           | _____dBm         | + 1 dBm           | _____dBm         | - 2.5 dBm          | _____dBm         |
| + 4 dBm           | _____dBm         | + 0 dBm           | _____dBm         | - 3.5 dBm          | _____dBm         |
| + 3 dBm           | _____dBm         | - 1 dBm           | _____dBm         | - 4.5 dBm          | _____dBm         |
| + 2 dBm           | _____dBm         | - 2 dBm           | _____dBm         | - 5.5 dBm          | _____dBm         |
| + 1 dBm           | _____dBm         | - 3 dBm           | _____dBm         | - 6.5 dBm          | _____dBm         |
| + 0 dBm           | _____dBm         | - 4 dBm           | _____dBm         | - 7.5 dBm          | _____dBm         |
| - 1 dBm           | _____dBm         | - 5 dBm           | _____dBm         | - 8.5 dBm          | _____dBm         |

\* Specification is  $\pm 1.0$  dB.

\* Specification is  $\pm 1.0$  dB.

\* Specification is  $\pm 1.0$  dB.

**Power Level Flatness Test Procedure (Step Sweep)**

| Set L1 to: | Max Power | Min Power | Variation ** |
|------------|-----------|-----------|--------------|
| + 3.5 dBm  | _____dBm  | _____dBm  | _____dB      |

\*\* Maximum variation is 4.0 dB (0.01 to 0.05 GHz); 1.6 dB (0.05 to 26.5 GHz).

**Power Level Flatness Test Procedure (Analog Sweep) (Model 68359B only)**

| Set L1 to: | Max Power | Min Power | Variation *** |
|------------|-----------|-----------|---------------|
| + 3.5 dBm  | _____dBm  | _____dBm  | _____dB       |

\*\*\* Maximum variation is 7.0 dB (0.01 to 0.05 GHz); 6.0 dB (0.05 to 20 GHz); 8.2 dB (20 to 26.5 GHz)(typical, not a specification).

**3-11 Power Level Accuracy and Flatness Tests (Continued)  
(Model 68259B/68359B with Option 15B High Power & without Option 2A Step Attenuator)**

**Power Level Accuracy Test Procedure**

| Set F1 to 1.0 GHz |                  | Set F1 to 5.0 GHz |                  | Set F1 to 22.0 GHz |                  |
|-------------------|------------------|-------------------|------------------|--------------------|------------------|
| Set L1 to:        | Measured Power * | Set L1 to:        | Measured Power * | Set L1 to:         | Measured Power * |
| +13 dBm           | _____dBm         | +13 dBm           | _____dBm         | +10 dBm            | _____dBm         |
| +12 dBm           | _____dBm         | +12 dBm           | _____dBm         | + 9 dBm            | _____dBm         |
| +11 dBm           | _____dBm         | +11 dBm           | _____dBm         | + 8 dBm            | _____dBm         |
| +10 dBm           | _____dBm         | +10 dBm           | _____dBm         | + 7 dBm            | _____dBm         |
| + 9 dBm           | _____dBm         | + 9 dBm           | _____dBm         | + 6 dBm            | _____dBm         |
| + 8 dBm           | _____dBm         | + 8 dBm           | _____dBm         | + 5 dBm            | _____dBm         |
| + 7 dBm           | _____dBm         | + 7 dBm           | _____dBm         | + 4 dBm            | _____dBm         |
| + 6 dBm           | _____dBm         | + 6 dBm           | _____dBm         | + 3 dBm            | _____dBm         |
| + 5 dBm           | _____dBm         | + 5 dBm           | _____dBm         | + 2 dBm            | _____dBm         |
| + 4 dBm           | _____dBm         | + 4 dBm           | _____dBm         | + 1 dBm            | _____dBm         |
| + 3 dBm           | _____dBm         | + 3 dBm           | _____dBm         | + 0 dBm            | _____dBm         |
| + 2 dBm           | _____dBm         | + 2 dBm           | _____dBm         | - 1 dBm            | _____dBm         |
| + 1 dBm           | _____dBm         | + 1 dBm           | _____dBm         | - 2 dBm            | _____dBm         |

\* Specification is  $\pm 1.0$  dB.

\* Specification is  $\pm 1.0$  dB.

\* Specification is  $\pm 1.0$  dB.

**Power Level Flatness Test Procedure (Step Sweep)**

| Set L1 to: | Max Power | Min Power | Variation ** |
|------------|-----------|-----------|--------------|
| + 10 dBm   | _____dBm  | _____dBm  | _____dB      |

\*\* Maximum variation is 4.0 dB (0.01 to 0.05 GHz); 1.6 dB (0.05 to 26.5 GHz).

**Power Level Flatness Test Procedure (Analog Sweep) (Model 68359B only)**

| Set L1 to: | Max Power | Min Power | Variation *** |
|------------|-----------|-----------|---------------|
| + 10 dBm   | _____dBm  | _____dBm  | _____dB       |

\*\*\* Maximum variation is 4.0 dB (0.01 to 0.05 GHz); 2.0 dB (0.05 to 20 GHz); 4.0 dB (20 to 26.5 GHz)(typical, not a specification).

**3-11 Power Level Accuracy and Flatness Tests (Continued)  
(Model 68259B/68359B with Option 15B High Power & Option 2A Step Attenuator)**

**Power Level Accuracy Test Procedure**

| Set F1 to 1.0 GHz |                  | Set F1 to 5.0 GHz |                  | Set F1 to 22.0 GHz |                  |
|-------------------|------------------|-------------------|------------------|--------------------|------------------|
| Set L1 to:        | Measured Power * | Set L1 to:        | Measured Power * | Set L1 to:         | Measured Power * |
| +11 dBm           | _____dBm         | +11 dBm           | _____dBm         | + 7.5 dBm          | _____dBm         |
| +10 dBm           | _____dBm         | +10 dBm           | _____dBm         | + 6.5 dBm          | _____dBm         |
| + 9 dBm           | _____dBm         | + 9 dBm           | _____dBm         | + 5.5 dBm          | _____dBm         |
| + 8 dBm           | _____dBm         | + 8 dBm           | _____dBm         | + 4.5 dBm          | _____dBm         |
| + 7 dBm           | _____dBm         | + 7 dBm           | _____dBm         | + 3.5 dBm          | _____dBm         |
| + 6 dBm           | _____dBm         | + 6 dBm           | _____dBm         | + 2.5 dBm          | _____dBm         |
| + 5 dBm           | _____dBm         | + 5 dBm           | _____dBm         | + 1.5 dBm          | _____dBm         |
| + 4 dBm           | _____dBm         | + 4 dBm           | _____dBm         | + 0.5 dBm          | _____dBm         |
| + 3 dBm           | _____dBm         | + 3 dBm           | _____dBm         | - 0.5 dBm          | _____dBm         |
| + 2 dBm           | _____dBm         | + 2 dBm           | _____dBm         | - 1.5 dBm          | _____dBm         |
| + 1 dBm           | _____dBm         | + 1 dBm           | _____dBm         | - 2.5 dBm          | _____dBm         |
| + 0 dBm           | _____dBm         | + 0 dBm           | _____dBm         | - 3.5 dBm          | _____dBm         |
| - 1 dBm           | _____dBm         | - 1 dBm           | _____dBm         | - 4.5 dBm          | _____dBm         |

\* Specification is  $\pm 1.0$  dB.                     
 \* Specification is  $\pm 1.0$  dB.                     
 \* Specification is  $\pm 1.0$  dB.

**Power Level Flatness Test Procedure (Step Sweep)**

| Set L1 to: | Max Power | Min Power | Variation ** |
|------------|-----------|-----------|--------------|
| + 7.5 dBm  | _____dBm  | _____dBm  | _____dB      |

\*\* Maximum variation is 4.0 dB (0.01 to 0.05 GHz); 1.6 dB (0.05 to 26.5 GHz).

**Power Level Flatness Test Procedure (Analog Sweep) (Model 68359B only)**

| Set L1 to: | Max Power | Min Power | Variation *** |
|------------|-----------|-----------|---------------|
| + 7.5 dBm  | _____dBm  | _____dBm  | _____dB       |

\*\*\* Maximum variation is 7.0 dB (0.01 to 0.05 GHz); 6.0 dB (0.05 to 20 GHz); 8.2 dB (20 to 26.5 GHz)(typical, not a specification).

**3-12 Amplitude Modulation Test**

| <b>AM Input Sensitivity Procedure</b>                                 | <b>Lower Limit</b> | <b>Measured Value</b> | <b>Upper Limit</b> |
|---|--------------------|-----------------------|--------------------|
| Set F1 to 5.0 GHz   |                    |                       |                    |
| Measure and record the Modulation Analyzer AM PK(+) reading . . . . . |                    | _____                 |                    |
| Measure and record the Modulation Analyzer AM PK(-) reading . . . . . |                    | _____                 |                    |
| Calculate and record the actual AM input sensitivity . . . . .        | 45%                | _____ %               | 55%                |

**3-13 Frequency Modulation Tests**

| <b>FM Input Sensitivity Procedure<br/>(Unlocked Wide FM Mode)</b>  | <b>Lower Limit</b> | <b>Measured Value</b> | <b>Upper Limit</b> |
|--|--------------------|-----------------------|--------------------|
| Set F1 to 5.0 GHz  |                    |                       |                    |
| Measure and record the low carrier frequency . . . . .             |                    | _____ MHz             |                    |
| Measure and record the high carrier frequency . . . . .            |                    | _____ MHz             |                    |
| Calculate and record the actual peak-to-peak frequency deviation . | 190 MHz            | _____ MHz             | 210 MHz            |

| <b>FM Input Sensitivity Procedure<br/>(Unlocked Narrow FM Mode)</b>        |       |           |        |
|--|-------|-----------|--------|
| Set F1 to 5.0 GHz  |       |           |        |
| Record the FM deviation frequency displayed on the 68259B/68359B . . . . . |       | _____ MHz |        |
| Calculate and record the FM accuracy . . . . .                             | 93.7% | _____ %   | 106.3% |

| <b>FM Input Sensitivity Procedure<br/>(Locked FM Mode)</b>                 |       |           |        |
|--|-------|-----------|--------|
| Set F1 to 5.0 GHz  |       |           |        |
| Record the FM deviation frequency displayed on the 68259B/68359B . . . . . |       | _____ MHz |        |
| Calculate and record the FM accuracy . . . . .                             | 93.7% | _____ %   | 106.3% |

**3-13 Frequency Modulation Tests (Continued)**

**FM Input Sensitivity Procedure  
(Locked Low-Noise FM Mode)**

|  | Lower Limit | Measured Value | Upper Limit |
|--|-------------|----------------|-------------|
| Set F1 to 5.0 GHz  |             |                |             |
| Record the FM deviation frequency displayed on the 68259B/68359B . . . . . |             | _____ MHz      |             |
| Calculate and record the FM accuracy . . . . .                             | 93.7%       | _____ %        | 106.3%      |

**3-14 Pulse Modulation Tests: Rise Time, Fall Time, Overshoot, and Level**

**Rise Time, Fall Time, and Overshoot**

|                                   | Lower Limit | Measured Value | Upper Limit |
|-----------------------------------|-------------|----------------|-------------|
| Set F1 to 5.0 GHz                 |             |                |             |
| Measure and record the following: |             |                |             |
| Rise Time . . . . .               | N/A         | _____ ns       | 10 ns       |
| Pulse Width . . . . .             | -10 ns      | _____ $\mu$ s  | +10 ns      |
| PRI (period) . . . . .            | -10 ns      | _____ ms       | +10 ns      |
| Overshoot . . . . .               | N/A         | _____ %        | 10%         |

**Pulse Level Accuracy (1 GHz, Pulse Width = 1.0  $\mu$ s)**

|   |         |           |         |
|---|---------|-----------|---------|
| Set F1 to 1.0 GHz   |         |           |         |
| Set pulse width W1 to 1.0 $\mu$ s                         |         |           |         |
| Record the displayed output level L1 (step 5.b) . . . . . |         | _____ dBm |         |
| Record the displayed output level L1 (step 5.d) . . . . . |         | _____ dBm |         |
| Calculate and record the pulse level error. . . . .       | -1.0 dB | _____ dB  | +1.0 dB |

**Pulse Level Accuracy (1 GHz, Pulse Width = 5.0  $\mu$ s)**

|   |         |           |         |
|---|---------|-----------|---------|
| Set F1 to 1.0 GHz   |         |           |         |
| Set pulse width W1 to 5.0 $\mu$ s                         |         |           |         |
| Record the displayed output level L1 (step 5.b) . . . . . |         | _____ dBm |         |
| Record the displayed output level L1 (step 5.d) . . . . . |         | _____ dBm |         |
| Calculate and record the pulse level error. . . . .       | -0.5 dB | _____ dB  | +0.5 dB |

**3-14 Pulse Modulation Tests: Rise Time, Fall Time, Overshoot, and Level (Continued)**

| <i>Pulse Level Accuracy (5 GHz, Pulse Width = 0.5 <math>\mu</math>s)</i> | Lower Limit | Measured Value | Upper Limit |
|--|-------------|----------------|-------------|
| Set F1 to 5.0 GHz<br>Set pulse width W1 to 5.0 $\mu$ s                   |             |                |             |
| Record the displayed output level L1 (step 5.b) . . . . .                |             | _____ dBm      |             |
| Record the displayed output level L1 (step 5.d) . . . . .                |             | _____ dBm      |             |
| Calculate and record the pulse level error. . . . .                      | -1.0 dB     | _____ dB       | +1.0 dB     |

**Pulse Level Accuracy (5 GHz, Pulse Width = 5.0  $\mu$ s)**

|   |         |           |         |
|---|---------|-----------|---------|
| Set F1 to 5.0 GHz<br>Set pulse width W1 to 5.0 $\mu$ s    |         |           |         |
| Record the displayed output level L1 (step 5.b) . . . . . |         | _____ dBm |         |
| Record the displayed output level L1 (step 5.d) . . . . . |         | _____ dBm |         |
| Calculate and record the pulse level error. . . . .       | -0.5 dB | _____ dB  | +0.5 dB |

**3-15 Pulse Modulation Test: Video Feedthrough**

| <i>Test Procedure</i>   | Lower Limit | Measured Value | Upper Limit |
|---|-------------|----------------|-------------|
| Set F1 to 5.0 GHz<br>Set pulse width W1 to 5.0 $\mu$ s<br>Set PRI (period) to 0.01 ms |             |                |             |
| Measure and record the Video Feedthrough voltage spikes . . . . .                     | -10 mV      | _____ mV       | +10 mV      |



**3-16 Pulse Modulation Test: RF On/Off Ratio**

**Test Procedure (1 GHz)**

Set F1 to 1.10 GHz

Measure and record the peak of the signal on the Spectrum Analyzer. (Measured signal must be >60 dB below top graticule to meet specification; this represents an On/Off Ratio of >80 dB.) .

**Lower Limit      Measured Value      Upper Limit**

60 dB      \_\_\_\_\_ dB      N/A

**Test Procedure (5 GHz)**

Set F1 to 5.0 GHz

Measure and record the peak of the signal on the Spectrum Analyzer. (Measured signal must be >60 dB below top graticule to meet specification; this represents an On/Off Ratio of >80 dB.) .

60 dB      \_\_\_\_\_ dB      N/A

**3-17 Phase Modulation Tests**

**$\Phi$ M Input Sensitivity Procedure  
(Wide  $\Phi$ M Mode)**

Set F1 to 5.0 GHz

Record the  $\Phi$ M deviation displayed on the 68259B/68359B . . . . .

\_\_\_\_\_ rad

Calculate and record the  $\Phi$ M accuracy . . . . .

**Lower Limit      Measured Value      Upper Limit**  
  
93.7%      \_\_\_\_\_ %      106.3%

**$\Phi$ M Input Sensitivity Procedure  
(Narrow  $\Phi$ M Mode)**

Set F1 to 5.0 GHz

Record the  $\Phi$ M deviation displayed on the 68259B/68359B . . . . .

\_\_\_\_\_ rad

Calculate and record the  $\Phi$ M accuracy . . . . .

93.7%      \_\_\_\_\_ %      106.3%



ANRITSU Model 68259B/68359B

Date: \_\_\_\_\_

Serial Number \_\_\_\_\_

Calibrated By: \_\_\_\_\_

**4-7 Preliminary Calibration**

| <i>Procedure Step</i>  | <b>Step Completion</b> |
|--|------------------------|
| 1. Internal DVM Calibration (calterm119) . . . . .                   | _____                  |
| 2. Coarse Loop Pretune DAC Calibration (calterm 137) . . . . .       | _____                  |
| 3. Fine Loop Pretune DAC Calibration (calterm 136). . . . .          | _____                  |
| 4. Sweep Time DAC Calibration (calterm 132) . . . . .                | _____                  |
| 5. YIG Frequency Offset DAC Calibration (calterm 134) . . . . .      | _____                  |
| 6. YIG Frequency Linearizer DACs Calibration (calterm 127) . . . . . | _____                  |
| 7. 100 MHz Reference Oscillator Calibration (calterm 130) . . . . .  | _____                  |
| 8. Ramp Center DAC Calibration (calterm 129) . . . . .               | _____                  |
| 9. Sweep Width DAC Calibration (calterm 133) . . . . .               | _____                  |
| 10. Center Frequency DAC Calibration (calterm 114) . . . . .         | _____                  |
| 11. Store the Calibration Data . . . . .                             | _____                  |

**4-8 Switched Filter Shaper Calibration**

| <i>Log Amplifier Zero Calibration</i>                     | <b>Step Completion</b> |
|---|------------------------|
| 1. Log Amplifier Zero Calibration (calterm 115) . . . . . | _____                  |

***Limiter DAC Adjustment (Model 68259B/68359B's with Option 15B)***

|  |       |
|--|-------|
| 2. Limiter DAC Adjustment (calterm 145). . . . . | _____ |
|--|-------|

***Shaper DAC Adjustment***

|  |       |
|--|-------|
| 2. Shaper DAC Adjustment (calterm 138) . . . . . | _____ |
| 3. Store the Calibration Data . . . . .          | _____ |

**4-9 RF Level Calibration**

This calibration is performed using an automatic test system. Contact ANRITSU Customer Service for further information.

**4-10 ALC Slope Calibration (68359B having Firmware Version 1.01 to 2.00)**

| <i>Procedure Step</i>                            | <i>Step Completion</i> |
|--|------------------------|
| 5. ALC Slope DAC adjustment for @2 GHz . . . . . | _____                  |
| 9. ALC Slope DAC adjustment for >2 GHz . . . . . | _____                  |
| 10. Store the DAC setting value(s). . . . .      | _____                  |

**4-10 ALC Slope Calibration (68359B having Firmware Version 2.00 and above)**

| <i>Procedure Step</i>                      | <i>Step Completion</i> |
|--|------------------------|
| 5. ALC Slope DAC adjustment . . . . .      | _____                  |
| 6. Store the DAC setting value(s). . . . . | _____                  |

**4-11 ALC Bandwidth Calibration**

| <i>Procedure Step</i>                                | <i>Step Completion</i> |
|--|------------------------|
| 1. ALC Bandwidth Calibration (Calterm 110) . . . . . | _____                  |
| 2. Store the Calibration Data . . . . .              | _____                  |

**4-12 AM Calibration**

| <i>Procedure Step</i>  | <i>Step Completion</i> |
|--|------------------------|
| 2. Linear AM Calibration (calterm 112) . . . . .             | _____                  |
| 3. Log AM Calibration (calterm 113) . . . . .                | _____                  |
| 4. AM Meter Calibration (calterm 147) . . . . .              | _____                  |
| 5. AM Function Generator Calibration (calterm 146) . . . . . | _____                  |
| 6. Store the Calibration Data . . . . .                      | _____                  |

**4-13 FM Calibration (68259B/68359B with Firmware Version 1.01 to 2.10)**

| <b>Procedure Step</b>   | <b>Step Completion</b> |
|---|------------------------|
| 1. FM Meter Calibration (calterm 123) . . . . .                       | _____                  |
| 2. FM Offset Balance Calibration (calterm 126) . . . . .              | _____                  |
| 3. External FM Wide Sensitivity Calibration (calterm 124) . . . . .   | _____                  |
| 4. External FM Narrow Sensitivity Calibration (calterm 125) . . . . . | _____                  |
| 5. Internal FM Wide Sensitivity Calibration (calterm 143) . . . . .   | _____                  |
| 6. Internal FM Narrow Sensitivity Calibration (calterm 144) . . . . . | _____                  |
| 7. Store the Calibration Data . . . . .                               | _____                  |

**4-13 FM Calibration (68259B with Firmware Version 2.18 and above;  
68359B with Firmware Version 2.20 and above)**

| <b>Procedure Step</b>   | <b>Step Completion</b> |
|---|------------------------|
| 1. FM Meter Calibration (calterm 123) . . . . .   | _____                  |
| 2. FM Variable Gain Linearity Calibration (calterm 148) . . . . .   | _____                  |
| 3. External Unlocked Wide FM Mode Sensitivity Calibration (calterm 124) . . . . .                                   | _____                  |
| 4. Internal Unlocked Wide FM Mode Sensitivity Calibration (calterm 143) . . . . .                                   | _____                  |
| 5. External Locked, Locked Low-Noise, and Unlocked Narrow FM Mode Sensitivity<br>Calibration (calterm 125). . . . . | _____                  |
| 6. Internal Locked, Locked Low-Noise, and Unlocked Narrow FM Mode Sensitivity<br>Calibration (calterm 144). . . . . | _____                  |
| 7. FM Rear Panel Input Gain Calibration (calterm 154) . . . . .   | _____                  |
| 8. Store the Calibration Data . . . . .   | _____                  |

**4-14 Phase Modulation ( $\Phi$ M) Calibration (Option 6)**

| <b>Procedure Step</b>  | <b>Step Completion</b> |
|--|------------------------|
| 1. External Wide $\Phi$ M Mode Sensitivity Calibration (calterm 149) . . . . .   | _____                  |
| 2. Internal Wide $\Phi$ M Mode Sensitivity Calibration (calterm 151) . . . . .   | _____                  |
| 3. Wide $\Phi$ M Mode Flatness Calibration (calterm 155) . . . . .               | _____                  |
| 4. External Narrow $\Phi$ M Mode Sensitivity Calibration (calterm 150) . . . . . | _____                  |
| 5. Internal Narrow $\Phi$ M Mode Sensitivity Calibration (calterm 152) . . . . . | _____                  |
| 6. Narrow $\Phi$ M Mode Flatness Calibration (calterm 156) . . . . .             | _____                  |
| 7. Store the Calibration Data . . . . .  | _____                  |

ANRITSU Model 68263B/68363B

Date: \_\_\_\_\_

Serial Number \_\_\_\_\_

Tested By: \_\_\_\_\_

|   |
|---|
| <b>3-6 Internal Time Base Aging Rate Test</b> |
|---|

| <i>Test Procedure</i>                                   | <b>Measured Value</b> | <b>Upper Limit</b>   |
|---|-----------------------|--|
| Record frequency error value . . . . .                  | _____                 |  |
| Record frequency error value (after 24 hours) . . . . . | _____                 |  |
| Record the computed aging rate . . . . .                | _____ per day         | $2 \times 10^{-8}$ per day<br>( $5 \times 10^{-10}$ per day<br>with Option 16) |

**3-7 Frequency Synthesis Tests**

**Coarse Loop/YIG Loop Test Procedure**

| Test Frequency (in GHz) | Measured Value * | Test Frequency (in GHz) | Measured Value * |
|-------------------------|------------------|-------------------------|------------------|
| 2.000 000 000           | _____            | 21.000 000 000          | _____            |
| 3.000 000 000           | _____            | 22.000 000 000          | _____            |
| 4.000 000 000           | _____            | 23.000 000 000          | _____            |
| 5.000 000 000           | _____            | 24.000 000 000          | _____            |
| 6.000 000 000           | _____            | 25.000 000 000          | _____            |
| 7.000 000 000           | _____            | 26.000 000 000          | _____            |
| 8.000 000 000           | _____            | 27.000 000 000          | _____            |
| 9.000 000 000           | _____            | 28.000 000 000          | _____            |
| 10.000 000 000          | _____            | 29.000 000 000          | _____            |
| 11.000 000 000          | _____            | 30.000 000 000          | _____            |
| 12.000 000 000          | _____            | 31.000 000 000          | _____            |
| 13.000 000 000          | _____            | 32.000 000 000          | _____            |
| 14.000 000 000          | _____            | 33.000 000 000          | _____            |
| 15.000 000 000          | _____            | 34.000 000 000          | _____            |
| 16.000 000 000          | _____            | 35.000 000 000          | _____            |
| 17.000 000 000          | _____            | 36.000 000 000          | _____            |
| 18.000 000 000          | _____            | 37.000 000 000          | _____            |
| 19.000 000 000          | _____            | 38.000 000 000          | _____            |
| 20.000 000 000          | _____            | 39.000 000 000          | _____            |
|                         |                  | 40.000 000 000          | _____            |

\* Specification for all frequencies listed above is  $\pm 100$  Hz.



**3-7 Frequency Synthesis Tests**

***Fine Loop Test Procedure (Standard 68X63B)***

| <b>Test Frequency (in GHz)</b> | <b>Measured Value **</b> |
|--------------------------------|--------------------------|
| 2.000 001 000                  | _____                    |
| 2.000 002 000                  | _____                    |
| 2.000 003 000                  | _____                    |
| 2.000 004 000                  | _____                    |
| 2.000 005 000                  | _____                    |
| 2.000 006 000                  | _____                    |
| 2.000 007 000                  | _____                    |
| 2.000 008 000                  | _____                    |
| 2.000 009 000                  | _____                    |
| 2.000 010 000                  | _____                    |

\*\* Specification for all frequencies listed above is  $\pm 100$  Hz.

***Fine Loop Test Procedure (68X63Bwith Option 11)***

| <b>Test Frequency (in GHz)</b> | <b>Measured Value ***</b> |
|--------------------------------|---------------------------|
| 2.000 000 100                  | _____                     |
| 2.000 000 200                  | _____                     |
| 2.000 000 300                  | _____                     |
| 2.000 000 400                  | _____                     |
| 2.000 000 500                  | _____                     |
| 2.000 000 600                  | _____                     |
| 2.000 000 700                  | _____                     |
| 2.000 000 800                  | _____                     |
| 2.000 000 900                  | _____                     |
| 2.000 001 000                  | _____                     |

\*\*\* Specification for all frequencies listed above is  $\pm 10$  Hz.

**3-8 Spurious Signals Test: RF Output Signals <2 GHz**

This test is not applicable to the 68263B/68363B model.

**3-9 Harmonic Test: RF Output Signals From 2 to 20 GHz**

**Test Procedure (2 to 10 GHz)**

**Measured Value**

**Upper Limit**

Set F1 to 2.1 GHz

Record the level of all harmonics of the 2.1 GHz carrier:

|                                   |           |          |
|-----------------------------------|-----------|----------|
| 4.2 GHz (2nd harmonic) . . . . .  | _____ dBc | -60 dBc* |
| 6.3 GHz (3rd harmonic) . . . . .  | _____ dBc | -60 dBc* |
| 8.4 GHz (4th harmonic) . . . . .  | _____ dBc | -60 dBc* |
| 10.5 GHz (5th harmonic) . . . . . | _____ dBc | -60 dBc* |
| 12.6 GHz (6th harmonic) . . . . . | _____ dBc | -60 dBc* |
| 14.7 GHz (7th harmonic) . . . . . | _____ dBc | -60 dBc* |
| 16.8 GHz (8th harmonic) . . . . . | _____ dBc | -60 dBc* |
| 18.9 GHz (9th harmonic) . . . . . | _____ dBc | -60 dBc* |

Set F1 to 3.6 GHz

Record the level of all harmonics of the 3.6 GHz carrier:

|                                   |           |          |
|-----------------------------------|-----------|----------|
| 7.2 GHz (2nd harmonic) . . . . .  | _____ dBc | -60 dBc* |
| 10.8 GHz (3rd harmonic) . . . . . | _____ dBc | -60 dBc* |
| 14.4 GHz (4th harmonic) . . . . . | _____ dBc | -60 dBc* |
| 18.0 GHz (5th harmonic) . . . . . | _____ dBc | -60 dBc* |

Set F1 to 7.0 GHz

Record the level of all harmonics of the 7 GHz carrier:

|                                   |           |          |
|-----------------------------------|-----------|----------|
| 14.0 GHz (2nd harmonic) . . . . . | _____ dBc | -60 dBc* |
|-----------------------------------|-----------|----------|

Set F1 to 10.0 GHz

Record the level of all harmonics of the 10 GHz carrier:

|                                   |           |          |
|-----------------------------------|-----------|----------|
| 20.0 GHz (2nd harmonic) . . . . . | _____ dBc | -60 dBc* |
|-----------------------------------|-----------|----------|

\* -50 dBc if Option 15B (High Power) installed.

**3-9 Harmonic Test: RF Output Signals From 2 to 20 GHz (Continued)**

| <i>Test Procedure (11 to 20 GHz)</i>   | <b>Measured Value</b> | <b>Upper Limit</b> |
|--|-----------------------|--------------------|
| Set F1 to 12.4 GHz<br>Record the level of all harmonics of the 12.4 GHz carrier: |                       |                    |
| 24.8 GHz (2nd harmonic) . . . . .  | _____dBc              | -60 dBc*           |
| 37.2 GHz (3rd harmonic). . . . .   | _____dBc              | -60 dBc*           |
| Set F1 to 16.0 GHz<br>Record the level of all harmonics of the 16.0 GHz carrier: |                       |                    |
| 32.0 GHz (2nd harmonic) . . . . .  | _____dBc              | -60 dBc*           |
| Set F1 to 20.0 GHz<br>Record the level of all harmonics of the 20.0 GHz carrier: |                       |                    |
| 40.0 GHz (2nd harmonic) . . . . .  | _____dBc              | -60 dBc*           |

\* -50 dBc if Option 15B (High Power) installed.

**3-10 Single Sideband Phase Noise Test**

| <i>Test Procedure</i>                           | <b>Measured Value</b> | <b>Upper Limit</b> |
|---|-----------------------|--------------------|
| Set F1 to 2.0 GHz                               |                       |                    |
| Record the phase noise levels at these offsets: |                       |                    |
| 100 Hz . . . . .                                | _____ dBc             | -77 dBc            |
| 1 kHz . . . . .                                 | _____ dBc             | -85 dBc            |
| 10 kHz . . . . .                                | _____ dBc             | -83 dBc            |
| 100 kHz . . . . .                               | _____ dBc             | -99 dBc            |
| Set F1 to 6.0 GHz                               |                       |                    |
| Record the phase noise levels at these offsets: |                       |                    |
| 100 Hz . . . . .                                | _____ dBc             | -75 dBc            |
| 1 kHz . . . . .                                 | _____ dBc             | -85 dBc            |
| 10 kHz . . . . .                                | _____ dBc             | -83 dBc            |
| 100 kHz . . . . .                               | _____ dBc             | -99 dBc            |
| Set F1 to 10.0 GHz                              |                       |                    |
| Record the phase noise levels at these offsets: |                       |                    |
| 100 Hz . . . . .                                | _____ dBc             | -70 dBc            |
| 1 kHz . . . . .                                 | _____ dBc             | -83 dBc            |
| 10 kHz . . . . .                                | _____ dBc             | -80 dBc            |
| 100 kHz . . . . .                               | _____ dBc             | -99 dBc            |
| Set F1 to 20.0 GHz                              |                       |                    |
| Record the phase noise levels at these offsets: |                       |                    |
| 100 Hz . . . . .                                | _____ dBc             | -63 dBc            |
| 1 kHz . . . . .                                 | _____ dBc             | -75 dBc            |
| 10 kHz . . . . .                                | _____ dBc             | -75 dBc            |
| 100 kHz . . . . .                               | _____ dBc             | -97 dBc            |
| Set F1 to 26.5 GHz                              |                       |                    |
| Record the phase noise levels at these offsets: |                       |                    |
| 100 Hz . . . . .                                | _____ dBc             | -60 dBc            |
| 1 kHz . . . . .                                 | _____ dBc             | -75 dBc            |
| 10 kHz . . . . .                                | _____ dBc             | -73 dBc            |
| 100 kHz . . . . .                               | _____ dBc             | -93 dBc            |

**3-11 Power Level Accuracy and Flatness Tests  
(Model 68263B/68363B without Option 2B Step Attenuator)**

**Power Level Accuracy Test Procedure**

| Set F1 to 5.0 GHz |                  | Set F1 to 25.0 GHz |                  |
|-------------------|------------------|--------------------|------------------|
| Set L1 to:        | Measured Power * | Set L1 to:         | Measured Power * |
| + 9 dBm           | _____dBm         | + 6 dBm            | _____dBm         |
| + 8 dBm           | _____dBm         | + 5 dBm            | _____dBm         |
| + 7 dBm           | _____dBm         | + 4 dBm            | _____dBm         |
| + 6 dBm           | _____dBm         | + 3 dBm            | _____dBm         |
| + 5 dBm           | _____dBm         | + 2dBm             | _____dBm         |
| + 4 dBm           | _____dBm         | + 1 dBm            | _____dBm         |
| + 3 dBm           | _____dBm         | + 0 dBm            | _____dBm         |
| + 2 dBm           | _____dBm         | - 1 dBm            | _____dBm         |
| + 1 dBm           | _____dBm         | - 2 dBm            | _____dBm         |
| + 0 dBm           | _____dBm         | - 3 dBm            | _____dBm         |
| - 1 dBm           | _____dBm         | - 4 dBm            | _____dBm         |
| - 2 dBm           | _____dBm         | - 5 dBm            | _____dBm         |
| - 3 dBm           | _____dBm         | - 6 dBm            | _____dBm         |

\* Specification is  $\pm 1.0$  dB.

\* Specification is  $\pm 1.0$  dB.

**Power Level Flatness Test Procedure (Step Sweep)**

| Set L1 to: | Max Power | Min Power | Variation ** |
|------------|-----------|-----------|--------------|
| + 6 dBm    | _____dBm  | _____dBm  | _____dB      |

\*\* Maximum variation is 1.6 dB.

**Power Level Flatness Test Procedure (Analog Sweep) (Model 68363B only)**

| Set L1 to: | Max Power | Min Power | Variation *** |
|------------|-----------|-----------|---------------|
| + 6 dBm    | _____dBm  | _____dBm  | _____dB       |

\*\*\* Maximum variation is 2.0 dB (2 to 20 GHz); 4.0 dB (20 to 40 GHz)(typical, not a specification).

**3-11 Power Level Accuracy and Flatness Tests (Continued)  
(Model 68263B/68363B with Option 2B Step Attenuator)**

**Power Level Accuracy Test Procedure**

| Set F1 to 5.0 GHz |                  | Set F1 to 25.0 GHz |                  |
|-------------------|------------------|--------------------|------------------|
| Set L1 to:        | Measured Power * | Set L1 to:         | Measured Power * |
| + 7 dBm           | _____dBm         | + 3 dBm            | _____dBm         |
| + 6 dBm           | _____dBm         | + 2 dBm            | _____dBm         |
| + 5 dBm           | _____dBm         | + 1 dBm            | _____dBm         |
| + 4 dBm           | _____dBm         | + 0 dBm            | _____dBm         |
| + 3 dBm           | _____dBm         | - 1 dBm            | _____dBm         |
| + 2 dBm           | _____dBm         | - 2 dBm            | _____dBm         |
| + 1 dBm           | _____dBm         | - 3 dBm            | _____dBm         |
| + 0 dBm           | _____dBm         | - 4 dBm            | _____dBm         |
| - 1 dBm           | _____dBm         | - 5 dBm            | _____dBm         |
| - 2 dBm           | _____dBm         | - 6 dBm            | _____dBm         |
| - 3 dBm           | _____dBm         | - 7 dBm            | _____dBm         |
| - 4 dBm           | _____dBm         | - 8 dBm            | _____dBm         |
| - 5 dBm           | _____dBm         | - 9 dBm            | _____dBm         |

\* Specification is  $\pm 1.0$  dB.

\* Specification is  $\pm 1.0$  dB.

**Power Level Flatness Test Procedure (Step Sweep)**

| Set L1 to: | Max Power | Min Power | Variation ** |
|------------|-----------|-----------|--------------|
| + 3 dBm    | _____dBm  | _____dBm  | _____dB      |

\*\* Maximum variation is 1.6 dB.

**Power Level Flatness Test Procedure (Analog Sweep) (Model 68363B only)**

| Set L1 to: | Max Power | Min Power | Variation *** |
|------------|-----------|-----------|---------------|
| + 3 dBm    | _____dBm  | _____dBm  | _____dB       |

\*\*\* Maximum variation is 6.0 dB (2 to 20 GHz); 8.2 dB (20 to 40 GHz)(typical, not a specification).

**3-11 Power Level Accuracy and Flatness Tests (Continued)  
(Model 68263B/68363B with Option 15B High Power & without Option 2B Step Attenuator)**

**Power Level Accuracy Test Procedure**

| Set F1 to 5.0 GHz |                  | Set F1 to 25.0 GHz |                  |
|-------------------|------------------|--------------------|------------------|
| Set L1 to:        | Measured Power * | Set L1 to:         | Measured Power * |
| +13 dBm           | _____dBm         | + 6 dBm            | _____dBm         |
| +12 dBm           | _____dBm         | + 5 dBm            | _____dBm         |
| +11 dBm           | _____dBm         | + 4 dBm            | _____dBm         |
| +10 dBm           | _____dBm         | + 3 dBm            | _____dBm         |
| + 9 dBm           | _____dBm         | + 2 dBm            | _____dBm         |
| + 8 dBm           | _____dBm         | + 1 dBm            | _____dBm         |
| + 7 dBm           | _____dBm         | + 0 dBm            | _____dBm         |
| + 6 dBm           | _____dBm         | - 1 dBm            | _____dBm         |
| + 5 dBm           | _____dBm         | - 2 dBm            | _____dBm         |
| + 4 dBm           | _____dBm         | - 3 dBm            | _____dBm         |
| + 3 dBm           | _____dBm         | - 4 dBm            | _____dBm         |
| + 2 dBm           | _____dBm         | - 5 dBm            | _____dBm         |
| + 1 dBm           | _____dBm         | - 6 dBm            | _____dBm         |

\* Specification is  $\pm 1.0$  dB.

\* Specification is  $\pm 1.0$  dB.

**Power Level Flatness Test Procedure (Step Sweep)**

| Set L1 to: | Max Power | Min Power | Variation ** |
|------------|-----------|-----------|--------------|
| + 6 dBm    | _____dBm  | _____dBm  | _____dB      |

\*\* Maximum variation is 1.6 dB.

**Power Level Flatness Test Procedure (Analog Sweep) (Model 68363B only)**

| Set L1 to: | Max Power | Min Power | Variation *** |
|------------|-----------|-----------|---------------|
| + 6 dBm    | _____dBm  | _____dBm  | _____dB       |

\*\*\* Maximum variation is 2.0 dB (2 to 20 GHz); 4.0 dB (20 to 40 GHz)(typical, not a specification).

**3-11 Power Level Accuracy and Flatness Tests (Continued)  
(Model 68263B/68363B with Option 15B High Power & Option 2B Step Attenuator)**

**Power Level Accuracy Test Procedure**

| Set F1 to 5.0 GHz |                  | Set F1 to 25.0 GHz |                  |
|-------------------|------------------|--------------------|------------------|
| Set L1 to:        | Measured Power * | Set L1 to:         | Measured Power * |
| +11 dBm           | _____dBm         | + 3 dBm            | _____dBm         |
| +10 dBm           | _____dBm         | + 2 dBm            | _____dBm         |
| + 9 dBm           | _____dBm         | + 1 dBm            | _____dBm         |
| + 8 dBm           | _____dBm         | + 0 dBm            | _____dBm         |
| + 7 dBm           | _____dBm         | - 1 dBm            | _____dBm         |
| + 6 dBm           | _____dBm         | - 2 dBm            | _____dBm         |
| + 5 dBm           | _____dBm         | - 3 dBm            | _____dBm         |
| + 4 dBm           | _____dBm         | - 4 dBm            | _____dBm         |
| + 3 dBm           | _____dBm         | - 5 dBm            | _____dBm         |
| + 2 dBm           | _____dBm         | - 6 dBm            | _____dBm         |
| + 1 dBm           | _____dBm         | - 7 dBm            | _____dBm         |
| + 0 dBm           | _____dBm         | - 8 dBm            | _____dBm         |
| - 1 dBm           | _____dBm         | - 9 dBm            | _____dBm         |

\* Specification is  $\pm 1.0$  dB.

\* Specification is  $\pm 1.0$  dB.

**Power Level Flatness Test Procedure (Step Sweep)**

| Set L1 to: | Max Power | Min Power | Variation ** |
|------------|-----------|-----------|--------------|
| + 3 dBm    | _____dBm  | _____dBm  | _____dB      |

\*\* Maximum variation is 1.6 dB.

**Power Level Flatness Test Procedure (Analog Sweep) (Model 68363B only)**

| Set L1 to: | Max Power | Min Power | Variation *** |
|------------|-----------|-----------|---------------|
| + 3 dBm    | _____dBm  | _____dBm  | _____dB       |

\*\*\* Maximum variation is 6.0 dB (2 to 20 GHz); 8.2 dB (20 to 40 GHz)(typical, not a specification).



**3-12 Amplitude Modulation Test**

| <b>AM Input Sensitivity Procedure</b>                                 | <b>Lower Limit</b> | <b>Measured Value</b> | <b>Upper Limit</b> |
|---|--------------------|-----------------------|--------------------|
| Set F1 to 5.0 GHz   |                    |                       |                    |
| Measure and record the Modulation Analyzer AM PK(+) reading . . . . . |                    | _____                 |                    |
| Measure and record the Modulation Analyzer AM PK(-) reading . . . . . |                    | _____                 |                    |
| Calculate and record the actual AM input sensitivity . . . . .        | 45%                | _____ %               | 55%                |

**3-13 Frequency Modulation Tests**

| <b>FM Input Sensitivity Procedure<br/>(Unlocked Wide FM Mode)</b>  | <b>Lower Limit</b> | <b>Measured Value</b> | <b>Upper Limit</b> |
|--|--------------------|-----------------------|--------------------|
| Set F1 to 5.0 GHz  |                    |                       |                    |
| Measure and record the low carrier frequency . . . . .             |                    | _____ MHz             |                    |
| Measure and record the high carrier frequency . . . . .            |                    | _____ MHz             |                    |
| Calculate and record the actual peak-to-peak frequency deviation . | 190 MHz            | _____ MHz             | 210 MHz            |

| <b>FM Input Sensitivity Procedure<br/>(Unlocked Narrow FM Mode)</b>        | <b>Lower Limit</b> | <b>Measured Value</b> | <b>Upper Limit</b> |
|--|--------------------|-----------------------|--------------------|
| Set F1 to 5.0 GHz  |                    |                       |                    |
| Record the FM deviation frequency displayed on the 68263B/68363B . . . . . |                    | _____ MHz             |                    |
| Calculate and record the FM accuracy . . . . .                             | 93.7%              | _____ %               | 106.3%             |

| <b>FM Input Sensitivity Procedure<br/>(Locked FM Mode)</b>                 | <b>Lower Limit</b> | <b>Measured Value</b> | <b>Upper Limit</b> |
|--|--------------------|-----------------------|--------------------|
| Set F1 to 5.0 GHz  |                    |                       |                    |
| Record the FM deviation frequency displayed on the 68263B/68363B . . . . . |                    | _____ MHz             |                    |
| Calculate and record the FM accuracy . . . . .                             | 93.7%              | _____ %               | 106.3%             |

**3-13 Frequency Modulation Tests (Continued)**

| <i>FM Input Sensitivity Procedure<br/>(Locked Low-Noise FM Mode)</i>       | Lower Limit | Measured Value | Upper Limit |
|--|-------------|----------------|-------------|
| Set F1 to 5.0 GHz  |             |                |             |
| Record the FM deviation frequency displayed on the 68263B/68363B . . . . . |             | _____ MHz      |             |
| Calculate and record the FM accuracy . . . . .                             | 93.7%       | _____ %        | 106.3%      |

**3-14 Pulse Modulation Tests: Rise Time, Fall Time, Overshoot, and Level**

| <i>Rise Time, Fall Time, and Overshoot</i> | Lower Limit | Measured Value | Upper Limit |
|--|-------------|----------------|-------------|
| Set F1 to 5.0 GHz                          |             |                |             |
| Measure and record the following:          |             |                |             |
| Rise Time . . . . .                        | N/A         | _____ ns       | 10 ns       |
| Pulse Width . . . . .                      | -10 ns      | _____ $\mu$ s  | +10 ns      |
| PRI (period) . . . . .                     | -10 ns      | _____ ms       | +10 ns      |
| Overshoot . . . . .                        | N/A         | _____ %        | 10%         |

**Pulse Level Accuracy (5 GHz, Pulse Width = 0.5  $\mu$ s)**

|   |         |           |         |
|---|---------|-----------|---------|
| Set F1 to 5.0 GHz   |         |           |         |
| Set pulse width W1 to 0.5 $\mu$ s                         |         |           |         |
| Record the displayed output level L1 (step 5.b) . . . . . |         | _____ dBm |         |
| Record the displayed output level L1 (step 5.d) . . . . . |         | _____ dBm |         |
| Calculate and record the pulse level error. . . . .       | -1.0 dB | _____ dB  | +1.0 dB |

**Pulse Level Accuracy (5 GHz, Pulse Width = 5.0  $\mu$ s)**

|   |         |           |         |
|---|---------|-----------|---------|
| Set F1 to 5.0 GHz   |         |           |         |
| Set pulse width W1 to 5.0 $\mu$ s                         |         |           |         |
| Record the displayed output level L1 (step 5.b) . . . . . |         | _____ dBm |         |
| Record the displayed output level L1 (step 5.d) . . . . . |         | _____ dBm |         |
| Calculate and record the pulse level error. . . . .       | -0.5 dB | _____ dB  | +0.5 dB |

**3-15 Pulse Modulation Test: Video Feedthrough**

| <i>Test Procedure</i>   | Lower Limit | Measured Value | Upper Limit |
|---|-------------|----------------|-------------|
| Set F1 to 5.0 GHz<br>Set pulse width W1 to 5.0 $\mu$ s<br>Set PRI (period) to 0.01 ms |             |                |             |
| Measure and record the Video Feedthrough voltage spikes . . . . .                     | -10 mV      | _____ mV       | +10 mV      |

**3-16 Pulse Modulation Test: RF On/Off Ratio**

| <i>Test Procedure</i>  | Lower Limit | Measured Value | Upper Limit |
|--|-------------|----------------|-------------|
| Set F1 to 5.0 GHz  |             |                |             |
| Measure and record the peak of the signal on the Spectrum Analyzer. (Measured signal must be >60 dB below top graticule to meet specification; this represents an On/Off Ratio of >80 dB.) . | 60 dB       | _____ dB       | N/A         |

**3-17 Phase Modulation Tests**

| <i><math>\Phi</math>M Input Sensitivity Procedure<br/>(Wide <math>\Phi</math>M Mode)</i> | Lower Limit | Measured Value | Upper Limit |
|--|-------------|----------------|-------------|
| Set F1 to 5.0 GHz  |             |                |             |
| Record the $\Phi$ M deviation displayed on the 68263B/68363B . . . . .                   |             | _____ rad      |             |
| Calculate and record the $\Phi$ M accuracy . . . . .                                     | 93.7%       | _____ %        | 106.3%      |

| <i><math>\Phi</math>M Input Sensitivity Procedure<br/>(Narrow <math>\Phi</math>M Mode)</i> | Lower Limit | Measured Value | Upper Limit |
|--|-------------|----------------|-------------|
| Set F1 to 5.0 GHz  |             |                |             |
| Record the $\Phi$ M deviation displayed on the 68263B/68363B . . . . .                     |             | _____ rad      |             |
| Calculate and record the $\Phi$ M accuracy . . . . .                                       | 93.7%       | _____ %        | 106.3%      |



**ANRITSU Model 68263B/68363B**

**Date:** \_\_\_\_\_

**Serial Number** \_\_\_\_\_

**Calibrated By:** \_\_\_\_\_

**4-7 Preliminary Calibration**

| <i><b>Procedure Step</b></i>   | <b>Step Completion</b> |
|--|------------------------|
| 1. Internal DVM Calibration (calterm119) . . . . .                   | _____                  |
| 2. Coarse Loop Pretune DAC Calibration (calterm 137) . . . . .       | _____                  |
| 3. Fine Loop Pretune DAC Calibration (calterm 136). . . . .          | _____                  |
| 4. Sweep Time DAC Calibration (calterm 132) . . . . .                | _____                  |
| 5. YIG Frequency Offset DAC Calibration (calterm 134) . . . . .      | _____                  |
| 6. YIG Frequency Linearizer DACs Calibration (calterm 127) . . . . . | _____                  |
| 7. 100 MHz Reference Oscillator Calibration (calterm 130) . . . . .  | _____                  |
| 8. Ramp Center DAC Calibration (calterm 129) . . . . .               | _____                  |
| 9. Sweep Width DAC Calibration (calterm 133) . . . . .               | _____                  |
| 10. Center Frequency DAC Calibration (calterm 114) . . . . .         | _____                  |
| 11. Store the Calibration Data . . . . .                             | _____                  |

**4-8 Switched Filter Shaper Calibration**

| <i><b>Log Amplifier Zero Calibration</b></i>                                     | <b>Step Completion</b> |
|--|------------------------|
| 1. Log Amplifier Zero Calibration (calterm 115) . . . . .                        | _____                  |
| <br><i><b>Limiter DAC Adjustment (Model 68263B/68363B's with Option 15B)</b></i> |                        |
| 2. Limiter DAC Adjustment (calterm 145). . . . .                                 | _____                  |
| <br><i><b>Shaper DAC Adjustment</b></i>  |                        |
| 2. Shaper DAC Adjustment (calterm 138) . . . . .                                 | _____                  |
| 3. Store the Calibration Data . . . . .  | _____                  |

**4-9 RF Level Calibration**

This calibration is performed using an automatic test system. Contact ANRITSU Customer Service for further information.

**4-10 ALC Slope Calibration (68363B having Firmware Version 1.01 to 2.00)**

| <b>Procedure Step</b>   | <b>Step Completion</b> |
|---|------------------------|
| 5. ALC Slope DAC adjustment for $\leq 2$ GHz<br>(This step is not applicable to the 68363B) . . . . . | _____ N/A _____        |
| 9. ALC Slope DAC adjustment for $> 2$ GHz . . . . .   | _____                  |
| 10. Store the DAC setting value(s). . . . .   | _____                  |

**4-10 ALC Slope Calibration (68363B having Firmware Version 2.00 and above)**

| <b>Procedure Step</b>                               | <b>Step Completion</b> |
|---|------------------------|
| 5. ALC Slope DAC adjustment (68363B only) . . . . . | _____                  |
| 6. Store the DAC setting value(s). . . . .          | _____                  |

**4-11 ALC Bandwidth Calibration**

| <b>Procedure Step</b>                                | <b>Step Completion</b> |
|--|------------------------|
| 1. ALC Bandwidth Calibration (Calterm 110) . . . . . | _____                  |
| 2. Store the DAC setting values . . . . .            | _____                  |

**4-12 AM Calibration**

| <b>Procedure Step</b>  | <b>Step Completion</b> |
|--|------------------------|
| 2. Linear AM Calibration (calterm 112) . . . . .             | _____                  |
| 3. Log AM Calibration (calterm 113) . . . . .                | _____                  |
| 4. AM Meter Calibration (calterm 147) . . . . .              | _____                  |
| 5. AM Function Generator Calibration (calterm 146) . . . . . | _____                  |
| 6. Store the Calibration Data . . . . .                      | _____                  |

**4-13 FM Calibration (68263B/68363B with Firmware Version 1.01 to 2.10)**

| <b>Procedure Step</b>   | <b>Step Completion</b> |
|---|------------------------|
| 1. FM Meter Calibration (calterm 123) . . . . .                       | _____                  |
| 2. FM Offset Balance Calibration (calterm 126) . . . . .              | _____                  |
| 3. External FM Wide Sensitivity Calibration (calterm 124) . . . . .   | _____                  |
| 4. External FM Narrow Sensitivity Calibration (calterm 125) . . . . . | _____                  |
| 5. Internal FM Wide Sensitivity Calibration (calterm 143) . . . . .   | _____                  |
| 6. Internal FM Narrow Sensitivity Calibration (calterm 144) . . . . . | _____                  |
| 7. Store the Calibration Data . . . . .                               | _____                  |

**4-13 FM Calibration (68263B with Firmware Version 2.18 and above;  
68363B with Firmware Version 2.20 and above)**

| <b>Procedure Step</b>   | <b>Step Completion</b> |
|---|------------------------|
| 1. FM Meter Calibration (calterm 123) . . . . .   | _____                  |
| 2. FM Variable Gain Linearity Calibration (calterm 148) . . . . .   | _____                  |
| 3. External Unlocked Wide FM Mode Sensitivity Calibration (calterm 124) . . . . .                                   | _____                  |
| 4. Internal Unlocked Wide FM Mode Sensitivity Calibration (calterm 143) . . . . .                                   | _____                  |
| 5. External Locked, Locked Low-Noise, and Unlocked Narrow FM Mode Sensitivity<br>Calibration (calterm 125). . . . . | _____                  |
| 6. Internal Locked, Locked Low-Noise, and Unlocked Narrow FM Mode Sensitivity<br>Calibration (calterm 144). . . . . | _____                  |
| 7. FM Rear Panel Input Gain Calibration (calterm 154) . . . . .   | _____                  |
| 8. Store the Calibration Data . . . . .   | _____                  |

**4-14 Phase Modulation ( $\Phi$ M) Calibration (Option 6)**

| <b>Procedure Step</b>  | <b>Step Completion</b> |
|--|------------------------|
| 1. External Wide $\Phi$ M Mode Sensitivity Calibration (calterm 149) . . . . .   | _____                  |
| 2. Internal Wide $\Phi$ M Mode Sensitivity Calibration (calterm 151) . . . . .   | _____                  |
| 3. Wide $\Phi$ M Mode Flatness Calibration (calterm 155) . . . . .               | _____                  |
| 4. External Narrow $\Phi$ M Mode Sensitivity Calibration (calterm 150) . . . . . | _____                  |
| 5. Internal Narrow $\Phi$ M Mode Sensitivity Calibration (calterm 152) . . . . . | _____                  |
| 6. Narrow $\Phi$ M Mode Flatness Calibration (calterm 156) . . . . .             | _____                  |
| 7. Store the Calibration Data . . . . .  | _____                  |



ANRITSU Model 68265B/68365B

Date: \_\_\_\_\_

Serial Number \_\_\_\_\_

Tested By: \_\_\_\_\_

|   |
|---|
| <b>3-6 Internal Time Base Aging Rate Test</b> |
|---|

| <i>Test Procedure</i>                                   | <b>Measured Value</b> | <b>Upper Limit</b>   |
|---|-----------------------|--|
| Record frequency error value . . . . .                  | _____                 |  |
| Record frequency error value (after 24 hours) . . . . . | _____                 |  |
| Record the computed aging rate . . . . .                | _____ per day         | $2 \times 10^{-8}$ per day<br>( $5 \times 10^{-10}$ per day<br>with Option 16) |

**3-7 Frequency Synthesis Tests**

**Coarse Loop/YIG Loop Test Procedure**

| Test Frequency (in GHz) | Measured Value * | Test Frequency (in GHz) | Measured Value * |
|-------------------------|------------------|-------------------------|------------------|
| 1.000 000 000           | _____            | 21.000 000 000          | _____            |
| 2.000 000 000           | _____            | 22.000 000 000          | _____            |
| 3.000 000 000           | _____            | 23.000 000 000          | _____            |
| 4.000 000 000           | _____            | 24.000 000 000          | _____            |
| 5.000 000 000           | _____            | 25.000 000 000          | _____            |
| 6.000 000 000           | _____            | 26.000 000 000          | _____            |
| 7.000 000 000           | _____            | 27.000 000 000          | _____            |
| 8.000 000 000           | _____            | 28.000 000 000          | _____            |
| 9.000 000 000           | _____            | 29.000 000 000          | _____            |
| 10.000 000 000          | _____            | 30.000 000 000          | _____            |
| 11.000 000 000          | _____            | 31.000 000 000          | _____            |
| 12.000 000 000          | _____            | 32.000 000 000          | _____            |
| 13.000 000 000          | _____            | 33.000 000 000          | _____            |
| 14.000 000 000          | _____            | 34.000 000 000          | _____            |
| 15.000 000 000          | _____            | 35.000 000 000          | _____            |
| 16.000 000 000          | _____            | 36.000 000 000          | _____            |
| 17.000 000 000          | _____            | 37.000 000 000          | _____            |
| 18.000 000 000          | _____            | 38.000 000 000          | _____            |
| 19.000 000 000          | _____            | 39.000 000 000          | _____            |
| 20.000 000 000          | _____            | 40.000 000 000          | _____            |

\* Specification for all frequencies listed above is  $\pm 100$  Hz.

**3-7 Frequency Synthesis Tests**

***Fine Loop Test Procedure (Standard 68X65B)***

| <b>Test Frequency (in Ghz)</b> | <b>Measured Value **</b> |
|--------------------------------|--------------------------|
| 1.000 001 000                  | _____                    |
| 1.000 002 000                  | _____                    |
| 1.000 003 000                  | _____                    |
| 1.000 004 000                  | _____                    |
| 1.000 005 000                  | _____                    |
| 1.000 006 000                  | _____                    |
| 1.000 007 000                  | _____                    |
| 1.000 008 000                  | _____                    |
| 1.000 009 000                  | _____                    |
| 1.000 010 000                  | _____                    |

\*\* Specifications for all frequencies listed above is  $\pm 100$  Hz.

***Fine Loop Test Procedure (68X65B with Option 11)***

| <b>Test Frequency (in Ghz)</b> | <b>Measured Value ***</b> |
|--------------------------------|---------------------------|
| 1.000 000 100                  | _____                     |
| 1.000 000 200                  | _____                     |
| 1.000 000 300                  | _____                     |
| 1.000 000 400                  | _____                     |
| 1.000 000 500                  | _____                     |
| 1.000 000 600                  | _____                     |
| 1.000 000 700                  | _____                     |
| 1.000 000 800                  | _____                     |
| 1.000 000 900                  | _____                     |
| 1.000 001 000                  | _____                     |

\*\*\* Specification for all frequencies listed above is  $\pm 10$  Hz.

**3-8 Spurious Signals Test: RF Output Signals  $\leq 2.2$  GHz**

| <b>Test Procedure</b>                                     | <b>Measured Value</b> | <b>Upper Limit</b> |
|---|-----------------------|--------------------|
| Set F1 to 500 MHz   |                       |                    |
| Record the level of all harmonics of the 500 MHz carrier  |                       |                    |
| 1.0 GHz (2nd harmonic) . . . . .                          | _____dBc              | -50 dBc            |
| 1.5 GHz (3rd harmonic) . . . . .                          | _____dBc              | -50 dBc            |
| 2.0 GHz (4th harmonic) . . . . .                          | _____dBc              | -50 dBc            |
| 2.5 GHz (5th harmonic) . . . . .                          | _____dBc              | -50 dBc            |
| Set F1 to 800 MHz   |                       |                    |
| Record the level of all harmonics of the 800 MHz carrier: |                       |                    |
| 1.6 GHz (2nd harmonic) . . . . .                          | _____dBc              | -50 dBc            |
| 2.4 GHz (3rd harmonic) . . . . .                          | _____dBc              | -50 dBc            |
| 3.2 GHz (4th harmonic) . . . . .                          | _____dBc              | -50 dBc            |
| 4.0 GHz (5th harmonic) . . . . .                          | _____dBc              | -50 dBc            |
| Set F1 to 1.3 GHz   |                       |                    |
| Record the level of all harmonics of the 1.3 GHz carrier: |                       |                    |
| 2.6 GHz (2nd harmonic) . . . . .                          | _____dBc              | -50 dBc            |
| 3.9 GHz (3rd harmonic) . . . . .                          | _____dBc              | -50 dBc            |
| 5.2 GHz (4th harmonic) . . . . .                          | _____dBc              | -50 dBc            |
| 6.5 GHz (5th harmonic) . . . . .                          | _____dBc              | -50 dBc            |
| Set F1 to 2.1 GHz   |                       |                    |
| Record the level of all harmonics of the 2.1 GHz carrier: |                       |                    |
| 4.2 GHz (2nd harmonic) . . . . .                          | _____dBc              | -50 dBc            |
| 6.3 GHz (3rd harmonic) . . . . .                          | _____dBc              | -50 dBc            |
| 8.2 GHz (4th harmonic) . . . . .                          | _____dBc              | -50 dBc            |
| 10.2 GHz (5th harmonic) . . . . .                         | _____dBc              | -50 dBc            |

**3-9 Harmonic Test: RF Output Signals From 2.2 to 20 GHz**

**Test Procedure (2.2 to 10 GHz)**

|   | Measure Value | Upper Limit |
|---|---------------|-------------|
| Set F1 to 2.4 GHz   |               |             |
| Record the level of all harmonics of the 2.4 GHz carrier: |               |             |
| 4.8 GHz (2nd harmonic) . . . . .                          | _____dBc      | -60 dBc*    |
| 7.2 GHz (3rd harmonic). . . . .                           | _____dBc      | -60 dBc*    |
| 9.6 GHz (4th harmonic). . . . .                           | _____dBc      | -60 dBc*    |
| 12.0 GHz (5th harmonic). . . . .                          | _____dBc      | -60 dBc*    |
| 14.4 GHz (6th harmonic). . . . .                          | _____dBc      | -60 dBc*    |
| 16.8 GHz (7th harmonic). . . . .                          | _____dBc      | -60 dBc*    |
| 19.2 GHz (8th harmonic). . . . .                          | _____dBc      | -60 dBc*    |
| Set F1 to 3.6 GHz   |               |             |
| Record the level of all harmonics of the 3.6 GHz carrier: |               |             |
| 7.2 GHz (2nd harmonic) . . . . .                          | _____dBc      | -60 dBc*    |
| 10.8 GHz (3rd harmonic). . . . .                          | _____dBc      | -60 dBc*    |
| 14.4 GHz (4th harmonic). . . . .                          | _____dBc      | -60 dBc*    |
| 18.0 GHz (5th harmonic) . . . . .                         | _____dBc      | -60 dBc*    |
| Set F1 to 7.0 GHz   |               |             |
| Record the level of all harmonics of the 7 GHz carrier:   |               |             |
| 14.0 GHz (2nd harmonic) . . . . .                         | _____dBc      | -60 dBc*    |
| Set F1 to 10.0 GHz  |               |             |
| Record the level of all harmonics of the 10 GHz carrier:  |               |             |
| 20.0 GHz (2nd harmonic) . . . . .                         | _____dBc      | -60 dBc*    |

\* -50 dBc if Option 15B (High Power) installed.

**3-9 Harmonic Test: RF Output Signals From 2.2 to 20 GHz (Continued)**

| <i>Test Procedure (11 to 20 GHz)</i>   | <b>Measure Value</b> | <b>Upper Limit</b> |
|--|----------------------|--------------------|
| Set F1 to 12.4 GHz<br>Record the level of all harmonics of the 12.4 GHz carrier: |                      |                    |
| 24.8 GHz (2nd harmonic) . . . . .  | _____dBc             | -60 dBc*           |
| 37.2 GHz (3rd harmonic). . . . .   | _____dBc             | -60 dBc*           |
| Set F1 to 16.0 GHz<br>Record the level of all harmonics of the 16.0 GHz carrier: |                      |                    |
| 32.0 GHz (2nd harmonic) . . . . .  | _____dBc             | -60 dBc*           |
| Set F1 to 20.0 GHz<br>Record the level of all harmonics of the 20.0 GHz carrier: |                      |                    |
| 40.0 GHz (2nd harmonic) . . . . .  | _____dBc             | -60 dBc*           |

\* -50 dBc if Option 15B (High Power) installed.

**3-10 Single Sideband Phase Noise Test**

| <i>Test Procedure</i>  | <b>Measured Value</b> | <b>Upper Limit</b> |
|--|-----------------------|--------------------|
| Set F1 to 0.6 GHz<br>Record the phase noise levels at these offsets: |                       |                    |
| 100 Hz . . . . .   | _____dBc              | -84 dBc            |
| 1 kHz . . . . .  | _____dBc              | -97 dBc            |
| 10 kHz . . . . .   | _____dBc              | -95 dBc            |
| 100 kHz . . . . .  | _____dBc              | -112 dBc           |
| Set F1 to 2.0 GHz<br>Record the phase noise levels at these offsets: |                       |                    |
| 100 Hz . . . . .   | _____dBc              | -78 dBc            |
| 1 kHz . . . . .  | _____dBc              | -91 dBc            |
| 10 kHz . . . . .   | _____dBc              | -89 dBc            |
| 100 kHz . . . . .  | _____dBc              | -106 dBc           |

**3-10 Single Sideband Phase Noise Test (Continued)**

| <i>Test Procedure</i>                           | <b>Measured Value</b> | <b>Upper Limit</b> |
|---|-----------------------|--------------------|
| Set F1 to 6.0 GHz                               |                       |                    |
| Record the phase noise levels at these offsets: |                       |                    |
| 100 Hz . . . . .                                | _____dBc              | -75 dBc            |
| 1 kHz . . . . .                                 | _____dBc              | -85 dBc            |
| 10 kHz . . . . .                                | _____dBc              | -83 dBc            |
| 100 kHz . . . . .                               | _____dBc              | -99 dBc            |
| Set F1 to 10.0 GHz                              |                       |                    |
| Record the phase noise levels at these offsets: |                       |                    |
| 100 Hz . . . . .                                | _____dBc              | -70 dBc            |
| 1 kHz . . . . .                                 | _____dBc              | -83 dBc            |
| 10 kHz . . . . .                                | _____dBc              | -80 dBc            |
| 100 kHz . . . . .                               | _____dBc              | -99 dBc            |
| Set F1 to 20.0 GHz                              |                       |                    |
| Record the phase noise levels at these offsets: |                       |                    |
| 100 Hz . . . . .                                | _____dBc              | -63 dBc            |
| 1 kHz . . . . .                                 | _____dBc              | -75 dBc            |
| 10 kHz . . . . .                                | _____dBc              | -75 dBc            |
| 100 kHz . . . . .                               | _____dBc              | -97 dBc            |
| Set F1 to 26.5 GHz                              |                       |                    |
| Record the phase noise levels at these offsets: |                       |                    |
| 100 Hz . . . . .                                | _____dBc              | -60 dBc            |
| 1 kHz . . . . .                                 | _____dBc              | -75 dBc            |
| 10 kHz . . . . .                                | _____dBc              | -73 dBc            |
| 100 kHz . . . . .                               | _____dBc              | -93 dBc            |

**3-11 Power Level Accuracy and Flatness Tests  
(Model 68265B/68365B without Option 2B Step Attenuator)**

**Power Level Accuracy Test Procedure**

| Set F1 to 1.0 GHz |                  | Set F1 to 5.0 GHz |                  | Set F1 to 25.0 GHz |                  |
|-------------------|------------------|-------------------|------------------|--------------------|------------------|
| Set L1 to:        | Measured Power * | Set L1 to:        | Measured Power * | Set L1 to:         | Measured Power * |
| +13 dBm           | _____dBm         | + 9 dBm           | _____dBm         | + 6dBm             | _____dBm         |
| +12 dBm           | _____dBm         | + 8 dBm           | _____dBm         | + 5 dBm            | _____dBm         |
| +11 dBm           | _____dBm         | + 7 dBm           | _____dBm         | + 4 dBm            | _____dBm         |
| +10 dBm           | _____dBm         | + 6 dBm           | _____dBm         | + 3 dBm            | _____dBm         |
| + 9 dBm           | _____dBm         | + 5 dBm           | _____dBm         | + 2dBm             | _____dBm         |
| + 8 dBm           | _____dBm         | + 4 dBm           | _____dBm         | + 1 dBm            | _____dBm         |
| + 7 dBm           | _____dBm         | + 3 dBm           | _____dBm         | + 0 dBm            | _____dBm         |
| + 6 dBm           | _____dBm         | + 2 dBm           | _____dBm         | - 1 dBm            | _____dBm         |
| + 5 dBm           | _____dBm         | + 1 dBm           | _____dBm         | - 2 dBm            | _____dBm         |
| + 4 dBm           | _____dBm         | + 0 dBm           | _____dBm         | - 3 dBm            | _____dBm         |
| + 3 dBm           | _____dBm         | - 1 dBm           | _____dBm         | - 4 dBm            | _____dBm         |
| + 2 dBm           | _____dBm         | - 2 dBm           | _____dBm         | - 5 dBm            | _____dBm         |
| + 1 dBm           | _____dBm         | - 3 dBm           | _____dBm         | - 6 dBm            | _____dBm         |

\* Specification is  $\pm 1.0$  dB.

\* Specification is  $\pm 1.0$  dB.

\* Specification is  $\pm 1.0$  dB.

**Power Level Flatness Test Procedure (Step Sweep)**

| Set L1 to: | Max Power | Min Power | Variation ** |
|------------|-----------|-----------|--------------|
| + 6 dBm    | _____dBm  | _____dBm  | _____dB      |

\*\* Maximum variation is 1.6 dB.

**Power Level Flatness Test Procedure (Analog Sweep) (Model 68365B only)**

| Set L1 to: | Max Power | Min Power | Variation *** |
|------------|-----------|-----------|---------------|
| + 6 dBm    | _____dBm  | _____dBm  | _____dB       |

\*\*\* Maximum variation is 2.0 dB (0.5 to 20 GHz); 4.0 dB (20 to 40 GHz)(typical, not a specification).



**3-11 Power Level Accuracy and Flatness Tests (Continued)  
(Model 68265B/68365B with Option 2B Step Attenuator)**

**Power Level Accuracy Test Procedure**

| Set F1 to 1.0 GHz |                  | Set F1 to 5.0 GHz |                  | Set F1 to 25.0 GHz |                  |
|-------------------|------------------|-------------------|------------------|--------------------|------------------|
| Set L1 to:        | Measured Power * | Set L1 to:        | Measured Power * | Set L1 to:         | Measured Power * |
| +11 dBm           | _____dBm         | + 7 dBm           | _____dBm         | + 3 dBm            | _____dBm         |
| +10 dBm           | _____dBm         | + 6 dBm           | _____dBm         | + 2 dBm            | _____dBm         |
| + 9 dBm           | _____dBm         | + 5 dBm           | _____dBm         | + 1 dBm            | _____dBm         |
| + 8 dBm           | _____dBm         | + 4 dBm           | _____dBm         | + 0 dBm            | _____dBm         |
| + 7 dBm           | _____dBm         | + 3 dBm           | _____dBm         | - 1 dBm            | _____dBm         |
| + 6 dBm           | _____dBm         | + 2 dBm           | _____dBm         | - 2 dBm            | _____dBm         |
| + 5 dBm           | _____dBm         | + 1 dBm           | _____dBm         | - 3 dBm            | _____dBm         |
| + 4 dBm           | _____dBm         | + 0 dBm           | _____dBm         | - 4 dBm            | _____dBm         |
| + 3 dBm           | _____dBm         | - 1 dBm           | _____dBm         | - 5 dBm            | _____dBm         |
| + 2 dBm           | _____dBm         | - 2 dBm           | _____dBm         | - 6 dBm            | _____dBm         |
| + 1 dBm           | _____dBm         | - 3 dBm           | _____dBm         | - 7 dBm            | _____dBm         |
| + 0 dBm           | _____dBm         | - 4 dBm           | _____dBm         | - 8 dBm            | _____dBm         |
| - 1 dBm           | _____dBm         | - 5 dBm           | _____dBm         | - 9 dBm            | _____dBm         |

\* Specification is  $\pm 1.0$  dB.

\* Specification is  $\pm 1.0$  dB.

\* Specification is  $\pm 1.0$  dB.

**Power Level Flatness Test Procedure (Step Sweep)**

| Set L1 to: | Max Power | Min Power | Variation ** |
|------------|-----------|-----------|--------------|
| + 3 dBm    | _____dBm  | _____dBm  | _____dB      |

\*\* Maximum variation is 1.6 dB.

**Power Level Flatness Test Procedure (Analog Sweep) (Model 68365B only)**

| Set L1 to: | Max Power | Min Power | Variation *** |
|------------|-----------|-----------|---------------|
| + 3 dBm    | _____dBm  | _____dBm  | _____dB       |

\*\*\* Maximum variation is 6.0 dB (0.5 to 20 GHz); 8.2 dB (20 to 40 GHz)(typical, not a specification).

**3-11 Power Level Accuracy and Flatness Tests (Continued)  
(Model 68265B/68365B with Option 15B High Power & without Option 2B Step Attenuator)**

**Power Level Accuracy Test Procedure**

| Set F1 to 1.0 GHz |                  | Set F1 to 5.0 GHz |                  | Set F1 to 25.0 GHz |                  |
|-------------------|------------------|-------------------|------------------|--------------------|------------------|
| Set L1 to:        | Measured Power * | Set L1 to:        | Measured Power * | Set L1 to:         | Measured Power * |
| +13 dBm           | _____dBm         | +13 dBm           | _____dBm         | + 6 dBm            | _____dBm         |
| +12 dBm           | _____dBm         | +12 dBm           | _____dBm         | + 5 dBm            | _____dBm         |
| +11 dBm           | _____dBm         | +11 dBm           | _____dBm         | + 4 dBm            | _____dBm         |
| +10 dBm           | _____dBm         | +10 dBm           | _____dBm         | + 3 dBm            | _____dBm         |
| + 9 dBm           | _____dBm         | + 9 dBm           | _____dBm         | + 2 dBm            | _____dBm         |
| + 8 dBm           | _____dBm         | + 8 dBm           | _____dBm         | + 1 dBm            | _____dBm         |
| + 7 dBm           | _____dBm         | + 7 dBm           | _____dBm         | + 0 dBm            | _____dBm         |
| + 6 dBm           | _____dBm         | + 6 dBm           | _____dBm         | - 1 dBm            | _____dBm         |
| + 5 dBm           | _____dBm         | + 5 dBm           | _____dBm         | - 2 dBm            | _____dBm         |
| + 4 dBm           | _____dBm         | + 4 dBm           | _____dBm         | - 3 dBm            | _____dBm         |
| + 3 dBm           | _____dBm         | + 3 dBm           | _____dBm         | - 4 dBm            | _____dBm         |
| + 2 dBm           | _____dBm         | + 2 dBm           | _____dBm         | - 5 dBm            | _____dBm         |
| + 1 dBm           | _____dBm         | + 1 dBm           | _____dBm         | - 6 dBm            | _____dBm         |

\* Specification is  $\pm 1.0$  dB.

\* Specification is  $\pm 1.0$  dB.

\* Specification is  $\pm 1.0$  dB.

**Power Level Flatness Test Procedure (Step Sweep)**

| Set L1 to: | Max Power | Min Power | Variation ** |
|------------|-----------|-----------|--------------|
| + 6 dBm    | _____dBm  | _____dBm  | _____dB      |

\*\* Maximum variation is 1.6 dB.

**Power Level Flatness Test Procedure (Analog Sweep) (Model 68365B only)**

| Set L1 to: | Max Power | Min Power | Variation *** |
|------------|-----------|-----------|---------------|
| + 6 dBm    | _____dBm  | _____dBm  | _____dB       |

\*\*\* Maximum variation is 2.0 dB (0.5 to 20 GHz); 4.0 dB (20 to 40 GHz)(typical, not a specification).

**3-11 Power Level Accuracy and Flatness Tests (Continued)  
(Model 68265B/68365B with Option 15B High Power & Option 2B Step Attenuator)**

**Power Level Accuracy Test Procedure**

| Set F1 to 1.0 GHz |                  | Set F1 to 5.0 GHz |                  | Set F1 to 25.0 GHz |                  |
|-------------------|------------------|-------------------|------------------|--------------------|------------------|
| Set L1 to:        | Measured Power * | Set L1 to:        | Measured Power * | Set L1 to:         | Measured Power * |
| +11 dBm           | _____dBm         | +11 dBm           | _____dBm         | + 3 dBm            | _____dBm         |
| +10 dBm           | _____dBm         | +10 dBm           | _____dBm         | + 2 dBm            | _____dBm         |
| + 9 dBm           | _____dBm         | + 9 dBm           | _____dBm         | + 1 dBm            | _____dBm         |
| + 8 dBm           | _____dBm         | + 8 dBm           | _____dBm         | + 0 dBm            | _____dBm         |
| + 7 dBm           | _____dBm         | + 7 dBm           | _____dBm         | - 1 dBm            | _____dBm         |
| + 6 dBm           | _____dBm         | + 6 dBm           | _____dBm         | - 2 dBm            | _____dBm         |
| + 5 dBm           | _____dBm         | + 5 dBm           | _____dBm         | - 3 dBm            | _____dBm         |
| + 4 dBm           | _____dBm         | + 4 dBm           | _____dBm         | - 4 dBm            | _____dBm         |
| + 3 dBm           | _____dBm         | + 3 dBm           | _____dBm         | - 5 dBm            | _____dBm         |
| + 2 dBm           | _____dBm         | + 2 dBm           | _____dBm         | - 6 dBm            | _____dBm         |
| + 1 dBm           | _____dBm         | + 1 dBm           | _____dBm         | - 7 dBm            | _____dBm         |
| + 0 dBm           | _____dBm         | + 0 dBm           | _____dBm         | - 8 dBm            | _____dBm         |
| - 1 dBm           | _____dBm         | - 1 dBm           | _____dBm         | - 9 dBm            | _____dBm         |

\* Specification is  $\pm 1.0$  dB.

\* Specification is  $\pm 1.0$  dB.

\* Specification is  $\pm 1.0$  dB.

**Power Level Flatness Test Procedure (Step Sweep)**

| Set L1 to: | Max Power | Min Power | Variation ** |
|------------|-----------|-----------|--------------|
| + 3 dBm    | _____dBm  | _____dBm  | _____dB      |

\*\* Maximum variation is 1.6 dB.

**Power Level Flatness Test Procedure (Analog Sweep) (Model 68365B only)**

| Set L1 to: | Max Power | Min Power | Variation *** |
|------------|-----------|-----------|---------------|
| + 3 dBm    | _____dBm  | _____dBm  | _____dB       |

\*\*\* Maximum variation is 6.0 dB (0.5 to 20 GHz); 8.2 dB (20 to 40 GHz)(typical, not a specification).

**3-12 Amplitude Modulation Test**

| <b>AM Input Sensitivity Procedure</b>                                 | <b>Lower Limit</b> | <b>Measured Value</b> | <b>Upper Limit</b> |
|---|--------------------|-----------------------|--------------------|
| Set F1 to 5.0 GHz   |                    |                       |                    |
| Measure and record the Modulation Analyzer AM PK(+) reading . . . . . |                    | _____                 |                    |
| Measure and record the Modulation Analyzer AM PK(-) reading . . . . . |                    | _____                 |                    |
| Calculate and record the actual AM input sensitivity . . . . .        | 45%                | _____ %               | 55%                |

**3-13 Frequency Modulation Tests**

| <b>FM Input Sensitivity Procedure<br/>(Unlocked Wide FM Mode)</b>  | <b>Lower Limit</b> | <b>Measured Value</b> | <b>Upper Limit</b> |
|--|--------------------|-----------------------|--------------------|
| Set F1 to 5.0 GHz  |                    |                       |                    |
| Measure and record the low carrier frequency . . . . .             |                    | _____ MHz             |                    |
| Measure and record the high carrier frequency . . . . .            |                    | _____ MHz             |                    |
| Calculate and record the actual peak-to-peak frequency deviation . | 190 MHz            | _____ MHz             | 210 MHz            |

| <b>FM Input Sensitivity Procedure<br/>(Unlocked Narrow FM Mode)</b>        |       |           |        |
|--|-------|-----------|--------|
| Set F1 to 5.0 GHz  |       |           |        |
| Record the FM deviation frequency displayed on the 68265B/68365B . . . . . |       | _____ MHz |        |
| Calculate and record the FM accuracy . . . . .                             | 93.7% | _____ %   | 106.3% |

| <b>FM Input Sensitivity Procedure<br/>(Locked FM Mode)</b>                 |       |           |        |
|--|-------|-----------|--------|
| Set F1 to 5.0 GHz  |       |           |        |
| Record the FM deviation frequency displayed on the 68265B/68365B . . . . . |       | _____ MHz |        |
| Calculate and record the FM accuracy . . . . .                             | 93.7% | _____ %   | 106.3% |

**3-13 Frequency Modulation Tests (Continued)**

**FM Input Sensitivity Procedure  
(Locked Low-Noise FM Mode)**

|  | Lower Limit | Measured Value | Upper Limit |
|--|-------------|----------------|-------------|
| Set F1 to 5.0 GHz  |             |                |             |
| Record the FM deviation frequency displayed on the 68265B/68365B . . . . . |             | _____ MHz      |             |
| Calculate and record the FM accuracy . . . . .                             | 93.7%       | _____ %        | 106.3%      |

**3-14 Pulse Modulation Tests: Rise Time, Fall Time, Overshoot, and Level**

**Rise Time, Fall Time, and Overshoot**

|                                   | Lower Limit | Measured Value | Upper Limit |
|-----------------------------------|-------------|----------------|-------------|
| Set F1 to 5.0 GHz                 |             |                |             |
| Measure and record the following: |             |                |             |
| Rise Time . . . . .               | N/A         | _____ ns       | 10 ns       |
| Pulse Width . . . . .             | -10 ns      | _____ $\mu$ s  | +10 ns      |
| PRI (period) . . . . .            | -10 ns      | _____ ms       | +10 ns      |
| Overshoot . . . . .               | N/A         | _____ %        | 10%         |

**Pulse Level Accuracy (1 GHz, Pulse Width = 1.0  $\mu$ s)**

|   |         |           |         |
|---|---------|-----------|---------|
| Set F1 to 1.0 GHz   |         |           |         |
| Set pulse width W1 to 1.0 $\mu$ s                         |         |           |         |
| Record the displayed output level L1 (step 5.b) . . . . . |         | _____ dBm |         |
| Record the displayed output level L1 (step 5.d) . . . . . |         | _____ dBm |         |
| Calculate and record the pulse level error. . . . .       | -1.0 dB | _____ dB  | +1.0 dB |

**Pulse Level Accuracy (1 GHz, Pulse Width = 5.0  $\mu$ s)**

|   |         |           |         |
|---|---------|-----------|---------|
| Set F1 to 1.0 GHz   |         |           |         |
| Set pulse width W1 to 5.0 $\mu$ s                         |         |           |         |
| Record the displayed output level L1 (step 5.b) . . . . . |         | _____ dBm |         |
| Record the displayed output level L1 (step 5.d) . . . . . |         | _____ dBm |         |
| Calculate and record the pulse level error. . . . .       | -0.5 dB | _____ dB  | +0.5 dB |



**3-16 Pulse Modulation Test: RF On/Off Ratio**

**Test Procedure (1 GHz)**

Set F1 to 1.10 GHz

Measure and record the peak of the signal on the Spectrum Analyzer. (Measured signal must be >60 dB below top graticule to meet specification; this represents an On/Off Ratio of >80 dB.) .

**Lower Limit    Measured Value    Upper Limit**

60 dB                  \_\_\_\_\_ dB                  N/A

**Test Procedure (5 GHz)**

Set F1 to 5.0 GHz

Measure and record the peak of the signal on the Spectrum Analyzer. (Measured signal must be >60 dB below top graticule to meet specification; this represents an On/Off Ratio of >80 dB.) .

60 dB                  \_\_\_\_\_ dB                  N/A

**3-17 Phase Modulation Tests**

**$\Phi M$  Input Sensitivity Procedure  
(Wide  $\Phi M$  Mode)**

Set F1 to 5.0 GHz

Record the  $\Phi M$  deviation displayed on the 68265B/68365B . . . . . \_\_\_\_\_ rad

Calculate and record the  $\Phi M$  accuracy . . . . .

**Lower Limit    Measured Value    Upper Limit**  
  
93.7%                  \_\_\_\_\_ %                  106.3%

**$\Phi M$  Input Sensitivity Procedure  
(Narrow  $\Phi M$  Mode)**

Set F1 to 5.0 GHz

Record the  $\Phi M$  deviation displayed on the 68265B/68365B . . . . . \_\_\_\_\_ rad

Calculate and record the  $\Phi M$  accuracy . . . . .

93.7%                  \_\_\_\_\_ %                  106.3%





ANRITSU Model 68265B/68365B

Date: \_\_\_\_\_

Serial Number \_\_\_\_\_

Calibrated By: \_\_\_\_\_

**4-7 Preliminary Calibration**

**Procedure Step**

**Step Completion**

- 1. Internal DVM Calibration (calterm119). . . . . \_\_\_\_\_
- 2. Coarse Loop Pretune DAC Calibration (calterm 137) . . . . . \_\_\_\_\_
- 3. Fine Loop Pretune DAC Calibration (calterm 136). . . . . \_\_\_\_\_
- 4. Sweep Time DAC Calibration (calterm 132) . . . . . \_\_\_\_\_
- 5. YIG Frequency Offset DAC Calibration (calterm 134) . . . . . \_\_\_\_\_
- 6. YIG Frequency Linearizer DACs Calibration (calterm 127) . . . . . \_\_\_\_\_
- 7. 100 MHz Reference Oscillator Calibration (calterm 130) . . . . . \_\_\_\_\_
- 8. Ramp Center DAC Calibration (calterm 129) . . . . . \_\_\_\_\_
- 9. Sweep Width DAC Calibration (calterm 133) . . . . . \_\_\_\_\_
- 10. Center Frequency DAC Calibration (calterm 114) . . . . . \_\_\_\_\_
- 11. Store the Calibration Data . . . . . \_\_\_\_\_

**4-8 Switched Filter Shaper Calibration**

**Log Amplifier Zero Calibration**

**Step Completion**

- 1. Log Amplifier Zero Calibration (calterm 115) . . . . . \_\_\_\_\_

**Limiter DAC Adjustment (Model 68265B/68365B's with Option 15B)**

- 2. Limiter DAC Adjustment (calterm 145). . . . . \_\_\_\_\_

**Shaper DAC Adjustment**

- 2. Shaper DAC Adjustment (calterm 138) . . . . . \_\_\_\_\_
- 3. Store the Calibration Data . . . . . \_\_\_\_\_

**4-9 RF Level Calibration**

This calibration is performed using an automatic test system. Contact ANRITSU Customer Service for further information.

**4-10 ALC Slope Calibration (68365B having Firmware Version 1.00 and above)**

| <i>Procedure Step</i>                      | <i>Step Completion</i> |
|--|------------------------|
| 5. ALC Slope DAC adjustment . . . . .      | _____                  |
| 6. Store the DAC setting value(s). . . . . | _____                  |

**4-11 ALC Bandwidth Calibration**

| <i>Procedure Step</i>                                | <i>Step Completion</i> |
|--|------------------------|
| 1. ALC Bandwidth Calibration (Calterm 110) . . . . . | _____                  |
| 2. Store the Calibration Data . . . . .              | _____                  |

**4-12 AM Calibration**

| <i>Procedure Step</i>  | <i>Step Completion</i> |
|--|------------------------|
| 2. Linear AM Calibration (calterm 112) . . . . .             | _____                  |
| 3. Log AM Calibration (calterm 113) . . . . .                | _____                  |
| 4. AM Meter Calibration (calterm 147) . . . . .              | _____                  |
| 5. AM Function Generator Calibration (calterm 146) . . . . . | _____                  |
| 6. Store the Calibration Data . . . . .                      | _____                  |

**4-13 FM Calibration (68265B/68365B with Firmware Version 1.00)**

| <b>Procedure Step</b>   | <b>Step Completion</b> |
|---|------------------------|
| 1. FM Meter Calibration (calterm 123) . . . . .                       | _____                  |
| 2. FM Offset Balance Calibration (calterm 126) . . . . .              | _____                  |
| 3. External FM Wide Sensitivity Calibration (calterm 124) . . . . .   | _____                  |
| 4. External FM Narrow Sensitivity Calibration (calterm 125) . . . . . | _____                  |
| 5. Internal FM Wide Sensitivity Calibration (calterm 143) . . . . .   | _____                  |
| 6. Internal FM Narrow Sensitivity Calibration (calterm 144) . . . . . | _____                  |
| 7. Store the Calibration Data . . . . .                               | _____                  |

**4-13 FM Calibration (68265B/68365B with Firmware Version 1.07 and above)**

| <b>Procedure Step</b>  | <b>Step Completion</b> |
|--|------------------------|
| 1. FM Meter Calibration (calterm 123) . . . . .  | _____                  |
| 2. FM Variable Gain Linearity Calibration (calterm 148) . . . . .  | _____                  |
| 3. External Unlocked Wide FM Mode Sensitivity Calibration (calterm 124) . . . . .                                | _____                  |
| 4. Internal Unlocked Wide FM Mode Sensitivity Calibration (calterm 143) . . . . .                                | _____                  |
| 5. External Locked, Locked Low-Noise, and Unlocked Narrow FM Mode Sensitivity Calibration (calterm 125). . . . . | _____                  |
| 6. Internal Locked, Locked Low-Noise, and Unlocked Narrow FM Mode Sensitivity Calibration (calterm 144). . . . . | _____                  |
| 7. FM Rear Panel Input Gain Calibration (calterm 154) . . . . .  | _____                  |
| 8. Store the Calibration Data . . . . .  | _____                  |

**4-14 Phase Modulation ( $\Phi$ M) Calibration (Option 6)**

| <b>Procedure Step</b>  | <b>Step Completion</b> |
|--|------------------------|
| 1. External Wide $\Phi$ M Mode Sensitivity Calibration (calterm 149) . . . . .   | _____                  |
| 2. Internal Wide $\Phi$ M Mode Sensitivity Calibration (calterm 151) . . . . .   | _____                  |
| 3. Wide $\Phi$ M Mode Flatness Calibration (calterm 155) . . . . .               | _____                  |
| 4. External Narrow $\Phi$ M Mode Sensitivity Calibration (calterm 150) . . . . . | _____                  |
| 5. Internal Narrow $\Phi$ M Mode Sensitivity Calibration (calterm 152) . . . . . | _____                  |
| 6. Narrow $\Phi$ M Mode Flatness Calibration (calterm 156) . . . . .             | _____                  |
| 7. Store the Calibration Data . . . . .  | _____                  |

ANRITSU Model 68269B/68369B

Date: \_\_\_\_\_

Serial Number \_\_\_\_\_

Tested By: \_\_\_\_\_

|   |
|---|
| <b>3-6 Internal Time Base Aging Rate Test</b> |
|---|

| <i>Test Procedure</i>                                   | <b>Measured Value</b> | <b>Upper Limit</b>  |
|---|-----------------------|---|
| Record frequency error value . . . . .                  | _____                 |   |
| Record frequency error value (after 24 hours) . . . . . | _____                 |   |
| Record the computed aging rate . . . . .                | _____ per day         | 2x10 <sup>-8</sup> per day<br>(5x10 <sup>-10</sup> per day<br>with Option 16) |

**3-7 Frequency Synthesis Tests**

**Coarse Loop/YIG Loop Test Procedure**

| Test Frequency (in GHz) | Measured Value * | Test Frequency (in GHz) | Measured Value * |
|-------------------------|------------------|-------------------------|------------------|
| 1.000 000 000           | _____            | 21.000 000 000          | _____            |
| 2.000 000 000           | _____            | 22.000 000 000          | _____            |
| 3.000 000 000           | _____            | 23.000 000 000          | _____            |
| 4.000 000 000           | _____            | 24.000 000 000          | _____            |
| 5.000 000 000           | _____            | 25.000 000 000          | _____            |
| 6.000 000 000           | _____            | 26.000 000 000          | _____            |
| 7.000 000 000           | _____            | 27.000 000 000          | _____            |
| 8.000 000 000           | _____            | 28.000 000 000          | _____            |
| 9.000 000 000           | _____            | 29.000 000 000          | _____            |
| 10.000 000 000          | _____            | 30.000 000 000          | _____            |
| 11.000 000 000          | _____            | 31.000 000 000          | _____            |
| 12.000 000 000          | _____            | 32.000 000 000          | _____            |
| 13.000 000 000          | _____            | 33.000 000 000          | _____            |
| 14.000 000 000          | _____            | 34.000 000 000          | _____            |
| 15.000 000 000          | _____            | 35.000 000 000          | _____            |
| 16.000 000 000          | _____            | 36.000 000 000          | _____            |
| 17.000 000 000          | _____            | 37.000 000 000          | _____            |
| 18.000 000 000          | _____            | 38.000 000 000          | _____            |
| 19.000 000 000          | _____            | 39.000 000 000          | _____            |
| 20.000 000 000          | _____            | 40.000 000 000          | _____            |

\* Specification for all frequencies listed above is  $\pm 100$  Hz.

**3-7 Frequency Synthesis Tests**

***Fine Loop Test Procedure (Standard 68X69B)***

| <b>Test Frequency (in Ghz)</b> | <b>Measured Value **</b> |
|--------------------------------|--------------------------|
| 1.000 001 000                  | _____                    |
| 1.000 002 000                  | _____                    |
| 1.000 003 000                  | _____                    |
| 1.000 004 000                  | _____                    |
| 1.000 005 000                  | _____                    |
| 1.000 006 000                  | _____                    |
| 1.000 007 000                  | _____                    |
| 1.000 008 000                  | _____                    |
| 1.000 009 000                  | _____                    |
| 1.000 010 000                  | _____                    |

\*\* Specifications for all frequencies listed above is  $\pm 100$  Hz.

***Fine Loop Test Procedure (68X69B with Option 11)***

| <b>Test Frequency (in Ghz)</b> | <b>Measured Value ***</b> |
|--------------------------------|---------------------------|
| 1.000 000 100                  | _____                     |
| 1.000 000 200                  | _____                     |
| 1.000 000 300                  | _____                     |
| 1.000 000 400                  | _____                     |
| 1.000 000 500                  | _____                     |
| 1.000 000 600                  | _____                     |
| 1.000 000 700                  | _____                     |
| 1.000 000 800                  | _____                     |
| 1.000 000 900                  | _____                     |
| 1.000 001 000                  | _____                     |

\*\*\* Specification for all frequencies listed above is  $\pm 10$  Hz.

**3-8 Spurious Signals Test: RF Output Signals <2 GHz**

| <b>Test Procedure</b>  | <b>Measured Value</b> | <b>Upper Limit</b> |
|--|-----------------------|--------------------|
| Set F1 to 10 MHz   |                       |                    |
| Record the presence of the worst case harmonic . . . . .     | _____dBc              | -30 dBc            |
| Record the presence of the worst case non-harmonic . . . . . | _____dBc              | -40 dBc            |
| Set F1 to 20 MHz   |                       |                    |
| Record the presence of the worst case harmonic . . . . .     | _____dBc              | -30 dBc            |
| Record the presence of the worst case non-harmonic . . . . . | _____dBc              | -40 dBc            |
| Set F1 to 30 MHz   |                       |                    |
| Record the presence of the worst case harmonic . . . . .     | _____dBc              | -30 dBc            |
| Record the presence of the worst case non-harmonic . . . . . | _____dBc              | -40 dBc            |
| Set F1 to 40 MHz   |                       |                    |
| Record the presence of the worst case harmonic . . . . .     | _____dBc              | -30 dBc            |
| Record the presence of the worst case non-harmonic . . . . . | _____dBc              | -40 dBc            |
| Set F1 to 350 MHz  |                       |                    |
| Record the presence of the worst case harmonic . . . . .     | _____dBc              | -40 dBc            |
| Record the presence of the worst case non-harmonic . . . . . | _____dBc              | -40 dBc            |
| Set F1 to 1.6 GHz  |                       |                    |
| Record the presence of the worst case non-harmonic . . . . . | _____dBc              | -40 dBc            |
| Set F1 to 1.6 GHz  |                       |                    |
| Record the level of the harmonics of the 1.6 GHz carrier:    |                       |                    |
| 3.2 GHz (2nd harmonic) . . . . .                             | _____dBc              | -40 dBc            |
| 4.8 GHz (3rd harmonic) . . . . .                             | _____dBc              | -40 dBc            |



**3-9 Harmonic Test: RF Output Signals From 2 to 20 GHz**

**Test Procedure (2 to 10 GHz)**

|   | Measure Value | Upper Limit |
|---|---------------|-------------|
| Set F1 to 2.1 GHz   |               |             |
| Record the level of all harmonics of the 2.1 GHz carrier: |               |             |
| 4.2 GHz (2nd harmonic) . . . . .                          | _____dBc      | -60 dBc*    |
| 6.3 GHz (3rd harmonic). . . . .                           | _____dBc      | -60 dBc*    |
| 8.4 GHz (4th harmonic). . . . .                           | _____dBc      | -60 dBc*    |
| 10.5 GHz (5th harmonic). . . . .                          | _____dBc      | -60 dBc*    |
| 12.6 GHz (6th harmonic). . . . .                          | _____dBc      | -60 dBc*    |
| 14.7 GHz (7th harmonic). . . . .                          | _____dBc      | -60 dBc*    |
| 16.8 GHz (8th harmonic). . . . .                          | _____dBc      | -60 dBc*    |
| 18.9 GHz (9th harmonic). . . . .                          | _____dBc      | -60 dBc*    |
| Set F1 to 3.6 GHz   |               |             |
| Record the level of all harmonics of the 3.6 GHz carrier: |               |             |
| 7.2 GHz (2nd harmonic) . . . . .                          | _____dBc      | -60 dBc*    |
| 10.8 GHz (3rd harmonic). . . . .                          | _____dBc      | -60 dBc*    |
| 14.4 GHz (4th harmonic). . . . .                          | _____dBc      | -60 dBc*    |
| 18.0 GHz (5th harmonic) . . . . .                         | _____dBc      | -60 dBc*    |
| Set F1 to 7.0 GHz   |               |             |
| Record the level of all harmonics of the 7 GHz carrier:   |               |             |
| 14.0 GHz (2nd harmonic) . . . . .                         | _____dBc      | -60 dBc*    |
| Set F1 to 10.0 GHz  |               |             |
| Record the level of all harmonics of the 10 GHz carrier:  |               |             |
| 20.0 GHz (2nd harmonic) . . . . .                         | _____dBc      | -60 dBc*    |

\* -50 dBc if Option 15B (High Power) installed.

**3-9 Harmonic Test: RF Output Signals From 2 to 20 GHz (Continued)**

| <i>Test Procedure (11 to 20 GHz)</i>   | <b>Measure Value</b> | <b>Upper Limit</b> |
|--|----------------------|--------------------|
| Set F1 to 12.4 GHz<br>Record the level of all harmonics of the 12.4 GHz carrier: |                      |                    |
| 24.8 GHz (2nd harmonic) . . . . .  | _____dBc             | -60 dBc*           |
| 37.2 GHz (3rd harmonic) . . . . .  | _____dBc             | -60 dBc*           |
| Set F1 to 16.0 GHz<br>Record the level of all harmonics of the 16.0 GHz carrier: |                      |                    |
| 32.0 GHz (2nd harmonic) . . . . .  | _____dBc             | -60 dBc*           |
| Set F1 to 20.0 GHz<br>Record the level of all harmonics of the 20.0 GHz carrier: |                      |                    |
| 40.0 GHz (2nd harmonic) . . . . .  | _____dBc             | -60 dBc*           |

\* -50 dBc if Option 15B (High Power) installed.

**3-10 Single Sideband Phase Noise Test**

| <i>Test Procedure</i>  | <b>Measured Value</b> | <b>Upper Limit</b> |
|--|-----------------------|--------------------|
| Set F1 to 0.6 GHz<br>Record the phase noise levels at these offsets: |                       |                    |
| 100 Hz . . . . .   | _____dBc              | -74 dBc            |
| 1 kHz . . . . .  | _____dBc              | -85 dBc            |
| 10 kHz . . . . .   | _____dBc              | -82 dBc            |
| 100 kHz . . . . .  | _____dBc              | -97 dBc            |
| Set F1 to 2.0 GHz<br>Record the phase noise levels at these offsets: |                       |                    |
| 100 Hz . . . . .   | _____dBc              | -77 dBc            |
| 1 kHz . . . . .  | _____dBc              | -85 dBc            |
| 10 kHz . . . . .   | _____dBc              | -83 dBc            |
| 100 kHz . . . . .  | _____dBc              | -99 dBc            |

**3-10 Single Sideband Phase Noise Test (Continued)**

| <i>Test Procedure</i>                           | <b>Measured Value</b> | <b>Upper Limit</b> |
|---|-----------------------|--------------------|
| Set F1 to 6.0 GHz                               |                       |                    |
| Record the phase noise levels at these offsets: |                       |                    |
| 100 Hz . . . . .                                | _____dBc              | -75 dBc            |
| 1 kHz . . . . .                                 | _____dBc              | -85 dBc            |
| 10 kHz . . . . .                                | _____dBc              | -83 dBc            |
| 100 kHz . . . . .                               | _____dBc              | -99 dBc            |
| Set F1 to 10.0 GHz                              |                       |                    |
| Record the phase noise levels at these offsets: |                       |                    |
| 100 Hz . . . . .                                | _____dBc              | -70 dBc            |
| 1 kHz . . . . .                                 | _____dBc              | -83 dBc            |
| 10 kHz . . . . .                                | _____dBc              | -80 dBc            |
| 100 kHz . . . . .                               | _____dBc              | -99 dBc            |
| Set F1 to 20.0 GHz                              |                       |                    |
| Record the phase noise levels at these offsets: |                       |                    |
| 100 Hz . . . . .                                | _____dBc              | -63 dBc            |
| 1 kHz . . . . .                                 | _____dBc              | -75 dBc            |
| 10 kHz . . . . .                                | _____dBc              | -75 dBc            |
| 100 kHz . . . . .                               | _____dBc              | -97 dBc            |
| Set F1 to 26.5 GHz                              |                       |                    |
| Record the phase noise levels at these offsets: |                       |                    |
| 100 Hz . . . . .                                | _____dBc              | -60 dBc            |
| 1 kHz . . . . .                                 | _____dBc              | -75 dBc            |
| 10 kHz . . . . .                                | _____dBc              | -73 dBc            |
| 100 kHz . . . . .                               | _____dBc              | -93 dBc            |

**3-11 Power Level Accuracy and Flatness Tests  
(Model 68269B/68369B without Option 2B Step Attenuator)**

**Power Level Accuracy Test Procedure**

| Set F1 to 1.0 GHz |                  | Set F1 to 5.0 GHz |                  | Set F1 to 25.0 GHz |                  |
|-------------------|------------------|-------------------|------------------|--------------------|------------------|
| Set L1 to:        | Measured Power * | Set L1 to:        | Measured Power * | Set L1 to:         | Measured Power * |
| +13 dBm           | _____dBm         | + 9 dBm           | _____dBm         | + 6dBm             | _____dBm         |
| +12 dBm           | _____dBm         | + 8 dBm           | _____dBm         | + 5 dBm            | _____dBm         |
| +11 dBm           | _____dBm         | + 7 dBm           | _____dBm         | + 4 dBm            | _____dBm         |
| +10 dBm           | _____dBm         | + 6 dBm           | _____dBm         | + 3 dBm            | _____dBm         |
| + 9 dBm           | _____dBm         | + 5 dBm           | _____dBm         | + 2dBm             | _____dBm         |
| + 8 dBm           | _____dBm         | + 4 dBm           | _____dBm         | + 1 dBm            | _____dBm         |
| + 7 dBm           | _____dBm         | + 3 dBm           | _____dBm         | + 0 dBm            | _____dBm         |
| + 6 dBm           | _____dBm         | + 2 dBm           | _____dBm         | - 1 dBm            | _____dBm         |
| + 5 dBm           | _____dBm         | + 1 dBm           | _____dBm         | - 2 dBm            | _____dBm         |
| + 4 dBm           | _____dBm         | + 0 dBm           | _____dBm         | - 3 dBm            | _____dBm         |
| + 3 dBm           | _____dBm         | - 1 dBm           | _____dBm         | - 4 dBm            | _____dBm         |
| + 2 dBm           | _____dBm         | - 2 dBm           | _____dBm         | - 5 dBm            | _____dBm         |
| + 1 dBm           | _____dBm         | - 3 dBm           | _____dBm         | - 6 dBm            | _____dBm         |

\* Specification is ±1.0 dB.

\* Specification is ±1.0 dB.

\* Specification is ±1.0 dB.

**Power Level Flatness Test Procedure (Step Sweep)**

| Set L1 to: | Max Power | Min Power | Variation ** |
|------------|-----------|-----------|--------------|
| + 6 dBm    | _____dBm  | _____dBm  | _____dB      |

\*\* Maximum variation is 4.0 dB (0.01 to 0.05 GHz); 1.6 dB (0.05 to 40 GHz).

**Power Level Flatness Test Procedure (Analog Sweep) (Model 68369B only)**

| Set L1 to: | Max Power | Min Power | Variation *** |
|------------|-----------|-----------|---------------|
| + 6 dBm    | _____dBm  | _____dBm  | _____dB       |

\*\*\* Maximum variation is 4.0 dB (0.01 to 0.05 GHz); 2.0 dB (0.05 to 20 GHz); 4.0 dB (20 to 40 GHz)(typical, not a specification).

**3-11 Power Level Accuracy and Flatness Tests (Continued)  
(Model 68269B/68369B with Option 2B Step Attenuator)**

**Power Level Accuracy Test Procedure**

| Set F1 to 1.0 GHz |                  | Set F1 to 5.0 GHz |                  | Set F1 to 25.0 GHz |                  |
|-------------------|------------------|-------------------|------------------|--------------------|------------------|
| Set L1 to:        | Measured Power * | Set L1 to:        | Measured Power * | Set L1 to:         | Measured Power * |
| +11 dBm           | _____dBm         | + 7 dBm           | _____dBm         | + 3 dBm            | _____dBm         |
| +10 dBm           | _____dBm         | + 6 dBm           | _____dBm         | + 2 dBm            | _____dBm         |
| + 9 dBm           | _____dBm         | + 5 dBm           | _____dBm         | + 1 dBm            | _____dBm         |
| + 8 dBm           | _____dBm         | + 4 dBm           | _____dBm         | + 0 dBm            | _____dBm         |
| + 7 dBm           | _____dBm         | + 3 dBm           | _____dBm         | - 1 dBm            | _____dBm         |
| + 6 dBm           | _____dBm         | + 2 dBm           | _____dBm         | - 2 dBm            | _____dBm         |
| + 5 dBm           | _____dBm         | + 1 dBm           | _____dBm         | - 3 dBm            | _____dBm         |
| + 4 dBm           | _____dBm         | + 0 dBm           | _____dBm         | - 4 dBm            | _____dBm         |
| + 3 dBm           | _____dBm         | - 1 dBm           | _____dBm         | - 5 dBm            | _____dBm         |
| + 2 dBm           | _____dBm         | - 2 dBm           | _____dBm         | - 6 dBm            | _____dBm         |
| + 1 dBm           | _____dBm         | - 3 dBm           | _____dBm         | - 7 dBm            | _____dBm         |
| + 0 dBm           | _____dBm         | - 4 dBm           | _____dBm         | - 8 dBm            | _____dBm         |
| - 1 dBm           | _____dBm         | - 5 dBm           | _____dBm         | - 9 dBm            | _____dBm         |

\* Specification is  $\pm 1.0$  dB.

\* Specification is  $\pm 1.0$  dB.

\* Specification is  $\pm 1.0$  dB.

**Power Level Flatness Test Procedure (Step Sweep)**

| Set L1 to: | Max Power | Min Power | Variation ** |
|------------|-----------|-----------|--------------|
| + 3 dBm    | _____dBm  | _____dBm  | _____dB      |

\*\* Maximum variation is 4.0 dB (0.01 to 0.05 GHz); 1.6 dB (0.05 to 40 GHz).

**Power Level Flatness Test Procedure (Analog Sweep) (Model 68369B only)**

| Set L1 to: | Max Power | Min Power | Variation *** |
|------------|-----------|-----------|---------------|
| + 3 dBm    | _____dBm  | _____dBm  | _____dB       |

\*\*\* Maximum variation is 7.0 dB (0.01 to 0.05 GHz); 6.0 dB (0.05 to 20 GHz); 8.2 dB (20 to 40 GHz)(typical, not a specification).

**3-11 Power Level Accuracy and Flatness Tests (Continued)  
(Model 68269B/68369B with Option 15B High Power & without Option 2B Step Attenuator)**

**Power Level Accuracy Test Procedure**

| Set F1 to 1.0 GHz |                  | Set F1 to 5.0 GHz |                  | Set F1 to 25.0 GHz |                  |
|-------------------|------------------|-------------------|------------------|--------------------|------------------|
| Set L1 to:        | Measured Power * | Set L1 to:        | Measured Power * | Set L1 to:         | Measured Power * |
| +13 dBm           | _____dBm         | +13 dBm           | _____dBm         | + 6 dBm            | _____dBm         |
| +12 dBm           | _____dBm         | +12 dBm           | _____dBm         | + 5 dBm            | _____dBm         |
| +11 dBm           | _____dBm         | +11 dBm           | _____dBm         | + 4 dBm            | _____dBm         |
| +10 dBm           | _____dBm         | +10 dBm           | _____dBm         | + 3 dBm            | _____dBm         |
| + 9 dBm           | _____dBm         | + 9 dBm           | _____dBm         | + 2 dBm            | _____dBm         |
| + 8 dBm           | _____dBm         | + 8 dBm           | _____dBm         | + 1 dBm            | _____dBm         |
| + 7 dBm           | _____dBm         | + 7 dBm           | _____dBm         | + 0 dBm            | _____dBm         |
| + 6 dBm           | _____dBm         | + 6 dBm           | _____dBm         | - 1 dBm            | _____dBm         |
| + 5 dBm           | _____dBm         | + 5 dBm           | _____dBm         | - 2 dBm            | _____dBm         |
| + 4 dBm           | _____dBm         | + 4 dBm           | _____dBm         | - 3 dBm            | _____dBm         |
| + 3 dBm           | _____dBm         | + 3 dBm           | _____dBm         | - 4 dBm            | _____dBm         |
| + 2 dBm           | _____dBm         | + 2 dBm           | _____dBm         | - 5 dBm            | _____dBm         |
| + 1 dBm           | _____dBm         | + 1 dBm           | _____dBm         | - 6 dBm            | _____dBm         |

\* Specification is  $\pm 1.0$  dB.

\* Specification is  $\pm 1.0$  dB.

\* Specification is  $\pm 1.0$  dB.

**Power Level Flatness Test Procedure (Step Sweep)**

| Set L1 to: | Max Power | Min Power | Variation ** |
|------------|-----------|-----------|--------------|
| + 6 dBm    | _____dBm  | _____dBm  | _____dB      |

\*\* Maximum variation is 4.0 dB (0.01 to 0.05 GHz); 1.6 dB (0.05 to 40 GHz).

**Power Level Flatness Test Procedure (Analog Sweep) (Model 68369B only)**

| Set L1 to: | Max Power | Min Power | Variation *** |
|------------|-----------|-----------|---------------|
| + 6 dBm    | _____dBm  | _____dBm  | _____dB       |

\*\*\* Maximum variation is 4.0 dB (0.01 to 0.05 GHz); 2.0 dB (0.05 to 20 GHz); 4.0 dB (20 to 40 GHz)(typical, not a specification).

**3-11 Power Level Accuracy and Flatness Tests (Continued)  
(Model 68269B/68369B with Option 15B High Power & Option 2B Step Attenuator)**

**Power Level Accuracy Test Procedure**

| Set F1 to 1.0 GHz |                  | Set F1 to 5.0 GHz |                  | Set F1 to 25.0 GHz |                  |
|-------------------|------------------|-------------------|------------------|--------------------|------------------|
| Set L1 to:        | Measured Power * | Set L1 to:        | Measured Power * | Set L1 to:         | Measured Power * |
| +11 dBm           | _____dBm         | +11 dBm           | _____dBm         | + 3 dBm            | _____dBm         |
| +10 dBm           | _____dBm         | +10 dBm           | _____dBm         | + 2 dBm            | _____dBm         |
| + 9 dBm           | _____dBm         | + 9 dBm           | _____dBm         | + 1 dBm            | _____dBm         |
| + 8 dBm           | _____dBm         | + 8 dBm           | _____dBm         | + 0 dBm            | _____dBm         |
| + 7 dBm           | _____dBm         | + 7 dBm           | _____dBm         | - 1 dBm            | _____dBm         |
| + 6 dBm           | _____dBm         | + 6 dBm           | _____dBm         | - 2 dBm            | _____dBm         |
| + 5 dBm           | _____dBm         | + 5 dBm           | _____dBm         | - 3 dBm            | _____dBm         |
| + 4 dBm           | _____dBm         | + 4 dBm           | _____dBm         | - 4 dBm            | _____dBm         |
| + 3 dBm           | _____dBm         | + 3 dBm           | _____dBm         | - 5 dBm            | _____dBm         |
| + 2 dBm           | _____dBm         | + 2 dBm           | _____dBm         | - 6 dBm            | _____dBm         |
| + 1 dBm           | _____dBm         | + 1 dBm           | _____dBm         | - 7 dBm            | _____dBm         |
| + 0 dBm           | _____dBm         | + 0 dBm           | _____dBm         | - 8 dBm            | _____dBm         |
| - 1 dBm           | _____dBm         | - 1 dBm           | _____dBm         | - 9 dBm            | _____dBm         |

\* Specification is  $\pm 1.0$  dB.

\* Specification is  $\pm 1.0$  dB.

\* Specification is  $\pm 1.0$  dB.

**Power Level Flatness Test Procedure (Step Sweep)**

| Set L1 to: | Max Power | Min Power | Variation ** |
|------------|-----------|-----------|--------------|
| + 3 dBm    | _____dBm  | _____dBm  | _____dB      |

\*\* Maximum variation is 4.0 dB (0.01 to 0.05 GHz); 1.6 dB (0.05 to 40 GHz).

**Power Level Flatness Test Procedure (Analog Sweep) (Model 68369B only)**

| Set L1 to: | Max Power | Min Power | Variation *** |
|------------|-----------|-----------|---------------|
| + 3 dBm    | _____dBm  | _____dBm  | _____dB       |

\*\*\* Maximum variation is 7.0 dB (0.01 to 0.05 GHz); 6.0 dB (0.05 to 20 GHz); 8.2 dB (20 to 40 GHz)(typical, not a specification).

**3-12 Amplitude Modulation Test**

| <b>AM Input Sensitivity Procedure</b>                                 | <b>Lower Limit</b> | <b>Measured Value</b> | <b>Upper Limit</b> |
|---|--------------------|-----------------------|--------------------|
| Set F1 to 5.0 GHz   |                    |                       |                    |
| Measure and record the Modulation Analyzer AM PK(+) reading . . . . . |                    | _____                 |                    |
| Measure and record the Modulation Analyzer AM PK(-) reading . . . . . |                    | _____                 |                    |
| Calculate and record the actual AM input sensitivity . . . . .        | 45%                | _____ %               | 55%                |

**3-13 Frequency Modulation Tests**

| <b>FM Input Sensitivity Procedure<br/>(Unlocked Wide FM Mode)</b>  | <b>Lower Limit</b> | <b>Measured Value</b> | <b>Upper Limit</b> |
|--|--------------------|-----------------------|--------------------|
| Set F1 to 5.0 GHz  |                    |                       |                    |
| Measure and record the low carrier frequency . . . . .             |                    | _____ MHz             |                    |
| Measure and record the high carrier frequency . . . . .            |                    | _____ MHz             |                    |
| Calculate and record the actual peak-to-peak frequency deviation . | 190 MHz            | _____ MHz             | 210 MHz            |

| <b>FM Input Sensitivity Procedure<br/>(Unlocked Narrow FM Mode)</b>        | <b>Lower Limit</b> | <b>Measured Value</b> | <b>Upper Limit</b> |
|--|--------------------|-----------------------|--------------------|
| Set F1 to 5.0 GHz  |                    |                       |                    |
| Record the FM deviation frequency displayed on the 68269B/68369B . . . . . |                    | _____ MHz             |                    |
| Calculate and record the FM accuracy . . . . .                             | 93.7%              | _____ %               | 106.3%             |

| <b>FM Input Sensitivity Procedure<br/>(Locked FM Mode)</b>                 | <b>Lower Limit</b> | <b>Measured Value</b> | <b>Upper Limit</b> |
|--|--------------------|-----------------------|--------------------|
| Set F1 to 5.0 GHz  |                    |                       |                    |
| Record the FM deviation frequency displayed on the 68269B/68369B . . . . . |                    | _____ MHz             |                    |
| Calculate and record the FM accuracy . . . . .                             | 93.7%              | _____ %               | 106.3%             |



**3-13 Frequency Modulation Tests (Continued)**

**FM Input Sensitivity Procedure  
(Locked Low-Noise FM Mode)**

|  | Lower Limit | Measured Value | Upper Limit |
|--|-------------|----------------|-------------|
| Set F1 to 5.0 GHz  |             |                |             |
| Record the FM deviation frequency displayed on the 68269B/68369B . . . . . |             | _____ MHz      |             |
| Calculate and record the FM accuracy . . . . .                             | 93.7%       | _____ %        | 106.3%      |

**3-14 Pulse Modulation Tests: Rise Time, Fall Time, Overshoot, and Level**

**Rise Time, Fall Time, and Overshoot**

|                                   | Lower Limit | Measured Value | Upper Limit |
|-----------------------------------|-------------|----------------|-------------|
| Set F1 to 5.0 GHz                 |             |                |             |
| Measure and record the following: |             |                |             |
| Rise Time . . . . .               | N/A         | _____ ns       | 10 ns       |
| Pulse Width . . . . .             | -10 ns      | _____ $\mu$ s  | +10 ns      |
| PRI (period) . . . . .            | -10 ns      | _____ ms       | +10 ns      |
| Overshoot . . . . .               | N/A         | _____ %        | 10%         |

**Pulse Level Accuracy (1 GHz, Pulse Width = 1.0  $\mu$ s)**

|   |         |           |         |
|---|---------|-----------|---------|
| Set F1 to 1.0 GHz   |         |           |         |
| Set pulse width W1 to 1.0 $\mu$ s                         |         |           |         |
| Record the displayed output level L1 (step 5.b) . . . . . |         | _____ dBm |         |
| Record the displayed output level L1 (step 5.d) . . . . . |         | _____ dBm |         |
| Calculate and record the pulse level error. . . . .       | -1.0 dB | _____ dB  | +1.0 dB |

**Pulse Level Accuracy (1 GHz, Pulse Width = 5.0  $\mu$ s)**

|   |         |           |         |
|---|---------|-----------|---------|
| Set F1 to 1.0 GHz   |         |           |         |
| Set pulse width W1 to 5.0 $\mu$ s                         |         |           |         |
| Record the displayed output level L1 (step 5.b) . . . . . |         | _____ dBm |         |
| Record the displayed output level L1 (step 5.d) . . . . . |         | _____ dBm |         |
| Calculate and record the pulse level error. . . . .       | -0.5 dB | _____ dB  | +0.5 dB |

**3-14 Pulse Modulation Tests: Rise Time, Fall Time, Overshoot, and Level (Continued)**

| <i>Pulse Level Accuracy (5 GHz, Pulse Width = 0.5 <math>\mu</math>s)</i> | Lower Limit | Measured Value | Upper Limit |
|--|-------------|----------------|-------------|
| Set F1 to 5.0 GHz<br>Set pulse width W1 to 5.0 $\mu$ s                   |             |                |             |
| Record the displayed output level L1 (step 5.b) . . . . .                |             | _____ dBm      |             |
| Record the displayed output level L1 (step 5.d) . . . . .                |             | _____ dBm      |             |
| Calculate and record the pulse level error. . . . .                      | -1.0 dB     | _____ dB       | +1.0 dB     |

**Pulse Level Accuracy (5 GHz, Pulse Width = 5.0  $\mu$ s)**

|   |         |           |         |
|---|---------|-----------|---------|
| Set F1 to 5.0 GHz<br>Set pulse width W1 to 5.0 $\mu$ s    |         |           |         |
| Record the displayed output level L1 (step 5.b) . . . . . |         | _____ dBm |         |
| Record the displayed output level L1 (step 5.d) . . . . . |         | _____ dBm |         |
| Calculate and record the pulse level error. . . . .       | -0.5 dB | _____ dB  | +0.5 dB |

**3-15 Pulse Modulation Test: Video Feedthrough**

| <i>Test Procedure</i>   | Lower Limit | Measured Value | Upper Limit |
|---|-------------|----------------|-------------|
| Set F1 to 5.0 GHz<br>Set pulse width W1 to 5.0 $\mu$ s<br>Set PRI (period) to 0.01 ms |             |                |             |
| Measure and record the Video Feedthrough voltage spikes . . . . .                     | -10 mV      | _____ mV       | +10 mV      |

**3-16 Pulse Modulation Test: RF On/Off Ratio**

**Test Procedure (1 GHz)**

Set F1 to 1.10 GHz

Measure and record the peak of the signal on the Spectrum Analyzer. (Measured signal must be >60 dB below top graticule to meet specification; this represents an On/Off Ratio of >80 dB.) .

**Lower Limit    Measured Value    Upper Limit**

60 dB                  \_\_\_\_\_ dB                  N/A

**Test Procedure (5 GHz)**

Set F1 to 5.0 GHz

Measure and record the peak of the signal on the Spectrum Analyzer. (Measured signal must be >60 dB below top graticule to meet specification; this represents an On/Off Ratio of >80 dB.) .

60 dB                  \_\_\_\_\_ dB                  N/A

**3-17 Phase Modulation Tests**

**$\Phi$ M Input Sensitivity Procedure  
(Wide  $\Phi$ M Mode)**

Set F1 to 5.0 GHz

Record the  $\Phi$ M deviation displayed on the 68269B/68369B . . . . .

\_\_\_\_\_ rad

Calculate and record the  $\Phi$ M accuracy . . . . .

93.7%

\_\_\_\_\_ %

106.3%

**$\Phi$ M Input Sensitivity Procedure  
(Narrow  $\Phi$ M Mode)**

Set F1 to 5.0 GHz

Record the  $\Phi$ M deviation displayed on the 68269B/68369B . . . . .

\_\_\_\_\_ rad

Calculate and record the  $\Phi$ M accuracy . . . . .

93.7%

\_\_\_\_\_ %

106.3%



ANRITSU Model 68269B/68369B

Date: \_\_\_\_\_

Serial Number \_\_\_\_\_

Calibrated By: \_\_\_\_\_

**4-7 Preliminary Calibration**

| <i><b>Procedure Step</b></i>   | <b>Step Completion</b> |
|--|------------------------|
| 1. Internal DVM Calibration (calterm119) . . . . .                   | _____                  |
| 2. Coarse Loop Pretune DAC Calibration (calterm 137) . . . . .       | _____                  |
| 3. Fine Loop Pretune DAC Calibration (calterm 136). . . . .          | _____                  |
| 4. Sweep Time DAC Calibration (calterm 132) . . . . .                | _____                  |
| 5. YIG Frequency Offset DAC Calibration (calterm 134) . . . . .      | _____                  |
| 6. YIG Frequency Linearizer DACs Calibration (calterm 127) . . . . . | _____                  |
| 7. 100 MHz Reference Oscillator Calibration (calterm 130) . . . . .  | _____                  |
| 8. Ramp Center DAC Calibration (calterm 129) . . . . .               | _____                  |
| 9. Sweep Width DAC Calibration (calterm 133) . . . . .               | _____                  |
| 10. Center Frequency DAC Calibration (calterm 114) . . . . .         | _____                  |
| 11. Store the Calibration Data . . . . .                             | _____                  |

**4-8 Switched Filter Shaper Calibration**

| <i><b>Log Amplifier Zero Calibration</b></i>              | <b>Step Completion</b> |
|---|------------------------|
| 1. Log Amplifier Zero Calibration (calterm 115) . . . . . | _____                  |

***Limiter DAC Adjustment (Model 68269B/68369B's with Option 15B)***

|  |       |
|--|-------|
| 2. Limiter DAC Adjustment (calterm 145). . . . . | _____ |
|--|-------|

***Shaper DAC Adjustment***

|  |       |
|--|-------|
| 2. Shaper DAC Adjustment (calterm 138) . . . . . | _____ |
| 3. Store the Calibration Data . . . . .          | _____ |

**4-9 RF Level Calibration**

This calibration is performed using an automatic test system. Contact ANRITSU Customer Service for further information.

**4-10 ALC Slope Calibration (68369B having Firmware Version 1.01 to 2.00)**

| <b>Procedure Step</b>                                  | <b>Step Completion</b> |
|--|------------------------|
| 5. ALC Slope DAC adjustment for $\leq 2$ GHz . . . . . | _____                  |
| 9. ALC Slope DAC adjustment for $> 2$ GHz . . . . .    | _____                  |
| 10. Store the DAC setting value(s). . . . .            | _____                  |

**4-10 ALC Slope Calibration (68369B having Firmware Version 2.00 and above)**

| <b>Procedure Step</b>                               | <b>Step Completion</b> |
|---|------------------------|
| 5. ALC Slope DAC adjustment (68369B only) . . . . . | _____                  |
| 6. Store the DAC setting value(s). . . . .          | _____                  |

**4-11 ALC Bandwidth Calibration**

| <b>Procedure Step</b>                                | <b>Step Completion</b> |
|--|------------------------|
| 1. ALC Bandwidth Calibration (Calterm 110) . . . . . | _____                  |
| 2. Store the Calibration Data . . . . .              | _____                  |

**4-12 AM Calibration**

| <b>Procedure Step</b>  | <b>Step Completion</b> |
|--|------------------------|
| 2. Linear AM Calibration (calterm 112) . . . . .             | _____                  |
| 3. Log AM Calibration (calterm 113) . . . . .                | _____                  |
| 4. AM Meter Calibration (calterm 147) . . . . .              | _____                  |
| 5. AM Function Generator Calibration (calterm 146) . . . . . | _____                  |
| 6. Store the Calibration Data . . . . .                      | _____                  |

**4-13 FM Calibration (68269B/68369B with Firmware Version 1.01 to 2.10)**

| <b>Procedure Step</b>   | <b>Step Completion</b> |
|---|------------------------|
| 1. FM Meter Calibration (calterm 123) . . . . .                       | _____                  |
| 2. FM Offset Balance Calibration (calterm 126) . . . . .              | _____                  |
| 3. External FM Wide Sensitivity Calibration (calterm 124) . . . . .   | _____                  |
| 4. External FM Narrow Sensitivity Calibration (calterm 125) . . . . . | _____                  |
| 5. Internal FM Wide Sensitivity Calibration (calterm 143) . . . . .   | _____                  |
| 6. Internal FM Narrow Sensitivity Calibration (calterm 144) . . . . . | _____                  |
| 7. Store the Calibration Data . . . . .                               | _____                  |

**4-13 FM Calibration (68269B with Firmware Version 2.18 and above  
68369B with Firmware Version 2.20 and above)**

| <b>Procedure Step</b>   | <b>Step Completion</b> |
|---|------------------------|
| 1. FM Meter Calibration (calterm 123) . . . . .   | _____                  |
| 2. FM Variable Gain Linearity Calibration (calterm 148) . . . . .   | _____                  |
| 3. External Unlocked Wide FM Mode Sensitivity Calibration (calterm 124) . . . . .                                   | _____                  |
| 4. Internal Unlocked Wide FM Mode Sensitivity Calibration (calterm 143) . . . . .                                   | _____                  |
| 5. External Locked, Locked Low-Noise, and Unlocked Narrow FM Mode Sensitivity<br>Calibration (calterm 125). . . . . | _____                  |
| 6. Internal Locked, Locked Low-Noise, and Unlocked Narrow FM Mode Sensitivity<br>Calibration (calterm 144). . . . . | _____                  |
| 7. FM Rear Panel Input Gain Calibration (calterm 154) . . . . .   | _____                  |
| 8. Store the Calibration Data . . . . .   | _____                  |

**4-14 Phase Modulation ( $\Phi$ M) Calibration (Option 6)**

| <b>Procedure Step</b>  | <b>Step Completion</b> |
|--|------------------------|
| 1. External Wide $\Phi$ M Mode Sensitivity Calibration (calterm 149) . . . . .   | _____                  |
| 2. Internal Wide $\Phi$ M Mode Sensitivity Calibration (calterm 151) . . . . .   | _____                  |
| 3. Wide $\Phi$ M Mode Flatness Calibration (calterm 155) . . . . .               | _____                  |
| 4. External Narrow $\Phi$ M Mode Sensitivity Calibration (calterm 150) . . . . . | _____                  |
| 5. Internal Narrow $\Phi$ M Mode Sensitivity Calibration (calterm 152) . . . . . | _____                  |
| 6. Narrow $\Phi$ M Mode Flatness Calibration (calterm 156) . . . . .             | _____                  |
| 7. Store the Calibration Data . . . . .  | _____                  |



ANRITSU Model 68275B/68375B

Date: \_\_\_\_\_

Serial Number \_\_\_\_\_

Tested By: \_\_\_\_\_

|   |
|---|
| <b>3-6 Internal Time Base Aging Rate Test</b> |
|---|

| <i>Test Procedure</i>                                   | <b>Measured Value</b> | <b>Upper Limit</b>   |
|---|-----------------------|--|
| Record frequency error value . . . . .                  | _____                 |  |
| Record frequency error value (after 24 hours) . . . . . | _____                 |  |
| Record the computed aging rate . . . . .                | _____ per day         | $2 \times 10^{-8}$ per day<br>( $5 \times 10^{-10}$ per day<br>with Option 16) |

**3-7 Frequency Synthesis Tests**

**Coarse Loop/YIG Loop Test Procedure**

| Test Frequency (in GHz) | Measured Value * | Test Frequency (in GHz) | Measured Value * |
|-------------------------|------------------|-------------------------|------------------|
| 1.000 000 000           | _____            | 26.000 000 000          | _____            |
| 2.000 000 000           | _____            | 27.000 000 000          | _____            |
| 3.000 000 000           | _____            | 28.000 000 000          | _____            |
| 4.000 000 000           | _____            | 29.000 000 000          | _____            |
| 5.000 000 000           | _____            | 30.000 000 000          | _____            |
| 6.000 000 000           | _____            | 31.000 000 000          | _____            |
| 7.000 000 000           | _____            | 32.000 000 000          | _____            |
| 8.000 000 000           | _____            | 33.000 000 000          | _____            |
| 9.000 000 000           | _____            | 34.000 000 000          | _____            |
| 10.000 000 000          | _____            | 35.000 000 000          | _____            |
| 11.000 000 000          | _____            | 36.000 000 000          | _____            |
| 12.000 000 000          | _____            | 37.000 000 000          | _____            |
| 13.000 000 000          | _____            | 38.000 000 000          | _____            |
| 14.000 000 000          | _____            | 39.000 000 000          | _____            |
| 15.000 000 000          | _____            | 40.000 000 000          | _____            |
| 16.000 000 000          | _____            | 41.000 000 000          | _____            |
| 17.000 000 000          | _____            | 42.000 000 000          | _____            |
| 18.000 000 000          | _____            | 43.000 000 000          | _____            |
| 19.000 000 000          | _____            | 44.000 000 000          | _____            |
| 20.000 000 000          | _____            | 45.000 000 000          | _____            |
| 21.000 000 000          | _____            | 46.000 000 000          | _____            |
| 22.000 000 000          | _____            | 47.000 000 000          | _____            |
| 23.000 000 000          | _____            | 48.000 000 000          | _____            |
| 24.000 000 000          | _____            | 49.000 000 000          | _____            |
| 25.000 000 000          | _____            | 50.000 000 000          | _____            |

\* Specification for all frequencies listed above is  $\pm 100$  Hz.

**3-7 Frequency Synthesis Tests**

***Fine Loop Test Procedure (Standard 68X75B)***

| <b>Test Frequency (in Ghz)</b> | <b>Measured Value **</b> |
|--------------------------------|--------------------------|
| 1.000 001 000                  | _____                    |
| 1.000 002 000                  | _____                    |
| 1.000 003 000                  | _____                    |
| 1.000 004 000                  | _____                    |
| 1.000 005 000                  | _____                    |
| 1.000 006 000                  | _____                    |
| 1.000 007 000                  | _____                    |
| 1.000 008 000                  | _____                    |
| 1.000 009 000                  | _____                    |
| 1.000 010 000                  | _____                    |

\*\* Specifications for all frequencies listed above is  $\pm 100$  Hz.

***Fine Loop Test Procedure (68X75B with Option 11)***

| <b>Test Frequency (in Ghz)</b> | <b>Measured Value ***</b> |
|--------------------------------|---------------------------|
| 1.000 000 100                  | _____                     |
| 1.000 000 200                  | _____                     |
| 1.000 000 300                  | _____                     |
| 1.000 000 400                  | _____                     |
| 1.000 000 500                  | _____                     |
| 1.000 000 600                  | _____                     |
| 1.000 000 700                  | _____                     |
| 1.000 000 800                  | _____                     |
| 1.000 000 900                  | _____                     |
| 1.000 001 000                  | _____                     |

\*\*\* Specification for all frequencies listed above is  $\pm 10$  Hz.

**3-8 Spurious Signals Test: RF Output Signals  $\leq 2.2$  GHz**

| <b>Test Procedure</b>                                     | <b>Measured Value</b> | <b>Upper Limit</b> |
|---|-----------------------|--------------------|
| Set F1 to 500 MHz   |                       |                    |
| Record the level of all harmonics of the 500 MHz carrier  |                       |                    |
| 1.0 GHz (2nd harmonic) . . . . .                          | _____ dBc             | -50 dBc            |
| 1.5 GHz (3rd harmonic) . . . . .                          | _____ dBc             | -50 dBc            |
| 2.0 GHz (4th harmonic) . . . . .                          | _____ dBc             | -50 dBc            |
| 2.5 GHz (5th harmonic) . . . . .                          | _____ dBc             | -50 dBc            |
| Set F1 to 800 MHz   |                       |                    |
| Record the level of all harmonics of the 800 MHz carrier: |                       |                    |
| 1.6 GHz (2nd harmonic) . . . . .                          | _____ dBc             | -50 dBc            |
| 2.4 GHz (3rd harmonic) . . . . .                          | _____ dBc             | -50 dBc            |
| 3.2 GHz (4th harmonic) . . . . .                          | _____ dBc             | -50 dBc            |
| 4.0 GHz (5th harmonic) . . . . .                          | _____ dBc             | -50 dBc            |
| Set F1 to 1.3 GHz   |                       |                    |
| Record the level of all harmonics of the 1.3 GHz carrier: |                       |                    |
| 2.6 GHz (2nd harmonic) . . . . .                          | _____ dBc             | -50 dBc            |
| 3.9 GHz (3rd harmonic) . . . . .                          | _____ dBc             | -50 dBc            |
| 5.2 GHz (4th harmonic) . . . . .                          | _____ dBc             | -50 dBc            |
| 6.5 GHz (5th harmonic) . . . . .                          | _____ dBc             | -50 dBc            |
| Set F1 to 2.1 GHz   |                       |                    |
| Record the level of all harmonics of the 2.1 GHz carrier: |                       |                    |
| 4.2 GHz (2nd harmonic) . . . . .                          | _____ dBc             | -50 dBc            |
| 6.3 GHz (3rd harmonic) . . . . .                          | _____ dBc             | -50 dBc            |
| 8.2 GHz (4th harmonic) . . . . .                          | _____ dBc             | -50 dBc            |
| 10.2 GHz (5th harmonic) . . . . .                         | _____ dBc             | -50 dBc            |

**3-9 Harmonic Test: RF Output Signals From 2.2 to 20 GHz**

**Test Procedure (2.2 to 10 GHz)**

Set F1 to 2.4 GHz

Record the level of all harmonics of the 2.4 GHz carrier:

|                                  | Measure Value | Upper Limit |
|----------------------------------|---------------|-------------|
| 4.8 GHz (2nd harmonic) . . . . . | _____dBc      | -50 dBc     |
| 7.2 GHz (3rd harmonic). . . . .  | _____dBc      | -50 dBc     |
| 9.6 GHz (4th harmonic). . . . .  | _____dBc      | -50 dBc     |
| 12.0 GHz (5th harmonic). . . . . | _____dBc      | -50 dBc     |
| 14.4 GHz (6th harmonic). . . . . | _____dBc      | -50 dBc     |
| 16.8 GHz (7th harmonic). . . . . | _____dBc      | -50 dBc     |
| 19.2 GHz (8th harmonic). . . . . | _____dBc      | -50 dBc     |

Set F1 to 3.6 GHz

Record the level of all harmonics of the 3.6 GHz carrier:

|                                   |          |         |
|-----------------------------------|----------|---------|
| 7.2 GHz (2nd harmonic) . . . . .  | _____dBc | -50 dBc |
| 10.8 GHz (3rd harmonic). . . . .  | _____dBc | -50 dBc |
| 14.4 GHz (4th harmonic). . . . .  | _____dBc | -50 dBc |
| 18.0 GHz (5th harmonic) . . . . . | _____dBc | -50 dBc |

Set F1 to 7.0 GHz

Record the level of all harmonics of the 7 GHz carrier:

|                                   |          |         |
|-----------------------------------|----------|---------|
| 14.0 GHz (2nd harmonic) . . . . . | _____dBc | -50 dBc |
|-----------------------------------|----------|---------|

Set F1 to 10.0 GHz

Record the level of all harmonics of the 10 GHz carrier:

|                                   |          |         |
|-----------------------------------|----------|---------|
| 20.0 GHz (2nd harmonic) . . . . . | _____dBc | -50 dBc |
|-----------------------------------|----------|---------|

**Test Procedure (11 to 20 GHz)**

Set F1 to 12.4 GHz

Record the level of all harmonics of the 12.4 GHz carrier:

|                                   |          |         |
|-----------------------------------|----------|---------|
| 24.8 GHz (2nd harmonic) . . . . . | _____dBc | -50 dBc |
| 37.2 GHz (3rd harmonic). . . . .  | _____dBc | -50 dBc |

Set F1 to 16.0 GHz

Record the level of all harmonics of the 16.0 GHz carrier:

|                                   |          |         |
|-----------------------------------|----------|---------|
| 32.0 GHz (2nd harmonic) . . . . . | _____dBc | -50 dBc |
|-----------------------------------|----------|---------|

Set F1 to 20.0 GHz

Record the level of all harmonics of the 20.0 GHz carrier:

|                                   |          |         |
|-----------------------------------|----------|---------|
| 40.0 GHz (2nd harmonic) . . . . . | _____dBc | -50 dBc |
|-----------------------------------|----------|---------|

**3-10 Single Sideband Phase Noise Test**

| <b>Test Procedure</b>                           | <b>Measured Value</b> | <b>Upper Limit</b> |
|---|-----------------------|--------------------|
| Set F1 to 0.6 GHz                               |                       |                    |
| Record the phase noise levels at these offsets: |                       |                    |
| 100 Hz . . . . .                                | _____ dBc             | -84 dBc            |
| 1 kHz . . . . .                                 | _____ dBc             | -97 dBc            |
| 10 kHz . . . . .                                | _____ dBc             | -95 dBc            |
| 100 kHz . . . . .                               | _____ dBc             | -112 dBc           |
| Set F1 to 2.0 GHz                               |                       |                    |
| Record the phase noise levels at these offsets: |                       |                    |
| 100 Hz . . . . .                                | _____ dBc             | -78 dBc            |
| 1 kHz . . . . .                                 | _____ dBc             | -91 dBc            |
| 10 kHz . . . . .                                | _____ dBc             | -89 dBc            |
| 100 kHz . . . . .                               | _____ dBc             | -106 dBc           |
| Set F1 to 6.0 GHz                               |                       |                    |
| Record the phase noise levels at these offsets: |                       |                    |
| 100 Hz . . . . .                                | _____ dBc             | -75 dBc            |
| 1 kHz . . . . .                                 | _____ dBc             | -85 dBc            |
| 10 kHz . . . . .                                | _____ dBc             | -83 dBc            |
| 100 kHz . . . . .                               | _____ dBc             | -99 dBc            |
| Set F1 to 10.0 GHz                              |                       |                    |
| Record the phase noise levels at these offsets: |                       |                    |
| 100 Hz . . . . .                                | _____ dBc             | -70 dBc            |
| 1 kHz . . . . .                                 | _____ dBc             | -83 dBc            |
| 10 kHz . . . . .                                | _____ dBc             | -80 dBc            |
| 100 kHz . . . . .                               | _____ dBc             | -99 dBc            |
| Set F1 to 20.0 GHz                              |                       |                    |
| Record the phase noise levels at these offsets: |                       |                    |
| 100 Hz . . . . .                                | _____ dBc             | -63 dBc            |
| 1 kHz . . . . .                                 | _____ dBc             | -75 dBc            |
| 10 kHz . . . . .                                | _____ dBc             | -75 dBc            |
| 100 kHz . . . . .                               | _____ dBc             | -97 dBc            |

**3-10 Single Sideband Phase Noise Test (Continued)**

| <i>Test Procedure</i>                           | <b>Measured Value</b> | <b>Upper Limit</b> |
|---|-----------------------|--------------------|
| Set F1 to 26.5 GHz                              |                       |                    |
| Record the phase noise levels at these offsets: |                       |                    |
| 100 Hz . . . . .                                | _____dBc              | -60 dBc            |
| 1 kHz . . . . .                                 | _____dBc              | -75 dBc            |
| 10 kHz . . . . .                                | _____dBc              | -73 dBc            |
| 100 kHz . . . . .                               | _____dBc              | -93 dBc            |

**3-11 Power Level Accuracy and Flatness Tests  
(Model 68275B/68375B without Option 2C Step Attenuator)**

**Power Level Accuracy Test Procedure**

| Set F1 to 5.0 GHz |                  | Set F1 to 25.0 GHz |                  | Set F1 to 45.0 GHz |                  |
|-------------------|------------------|--------------------|------------------|--------------------|------------------|
| Set L1 to:        | Measured Power * | Set L1 to:         | Measured Power * | Set L1 to:         | Measured Power * |
| +10 dBm           | _____dBm         | + 2.5 dBm          | _____dBm         | + 2.5 dBm          | _____dBm         |
| + 9 dBm           | _____dBm         | + 1.5 dBm          | _____dBm         | + 1.5 dBm          | _____dBm         |
| + 8 dBm           | _____dBm         | + 0.5 dBm          | _____dBm         | + 0.5 dBm          | _____dBm         |
| + 7 dBm           | _____dBm         | - 0.5 dBm          | _____dBm         | - 0.5 dBm          | _____dBm         |
| + 6 dBm           | _____dBm         | - 1.5 dBm          | _____dBm         | - 1.5 dBm          | _____dBm         |
| + 5 dBm           | _____dBm         | - 2.5 dBm          | _____dBm         | - 2.5 dBm          | _____dBm         |
| + 4 dBm           | _____dBm         | - 3.5 dBm          | _____dBm         | - 3.5 dBm          | _____dBm         |
| + 3 dBm           | _____dBm         | - 4.5 dBm          | _____dBm         | - 4.5 dBm          | _____dBm         |
| + 2 dBm           | _____dBm         | - 5.5 dBm          | _____dBm         | - 5.5 dBm          | _____dBm         |
| + 1 dBm           | _____dBm         | - 6.5 dBm          | _____dBm         | - 6.5 dBm          | _____dBm         |
| + 0 dBm           | _____dBm         | - 7.5 dBm          | _____dBm         | - 7.5 dBm          | _____dBm         |
| - 1 dBm           | _____dBm         | - 8.5 dBm          | _____dBm         | - 8.5 dBm          | _____dBm         |
| - 2 dBm           | _____dBm         | - 9.5 dBm          | _____dBm         | - 9.5 dBm          | _____dBm         |

\* Specification is  $\pm 1.0$  dB.

\* Specification is  $\pm 1.0$  dB.

\* Specification is  $\pm 1.5$  dB.

**Power Level Flatness Test Procedure (Step Sweep)**

| Set L1 to: | Max Power | Min Power | Variation ** |
|------------|-----------|-----------|--------------|
| + 2.5 dBm  | _____dBm  | _____dBm  | _____dB      |

\*\* Maximum variation is 1.6 dB (0.5 to 40 GHz); 2.2 dB (40 to 50 GHz).

**Power Level Flatness Test Procedure (Analog Sweep) (Model 68375B only)**

| Set L1 to: | Max Power | Min Power | Variation *** |
|------------|-----------|-----------|---------------|
| + 2.5 dBm  | _____dBm  | _____dBm  | _____dB       |

\*\*\* Maximum variation is 2.0 dB (0.5 to 20 GHz); 4.0 dB (20 to 40 GHz); 5.0 dB (40 to 50 GHz)(typical, not a specification).



**3-11 Power Level Accuracy and Flatness Tests (Continued)  
(Model 68275B/68375B with Option 2C Step Attenuator)**

**Power Level Accuracy Test Procedure**

| Set F1 to 5.0 GHz |                  | Set F1 to 25.0 GHz |                  | Set F1 to 45.0 GHz |                  |
|-------------------|------------------|--------------------|------------------|--------------------|------------------|
| Set L1 to:        | Measured Power * | Set L1 to:         | Measured Power * | Set L1 to:         | Measured Power * |
| + 8.5 dBm         | _____dBm         | + 0 dBm            | _____dBm         | - 1 dBm            | _____dBm         |
| + 7.5 dBm         | _____dBm         | - 1 dBm            | _____dBm         | - 2 dBm            | _____dBm         |
| + 6.5 dBm         | _____dBm         | - 2 dBm            | _____dBm         | - 3 dBm            | _____dBm         |
| + 5.5 dBm         | _____dBm         | - 3 dBm            | _____dBm         | - 4 dBm            | _____dBm         |
| + 4.5 dBm         | _____dBm         | - 4 dBm            | _____dBm         | - 5 dBm            | _____dBm         |
| + 3.5 dBm         | _____dBm         | - 5 dBm            | _____dBm         | - 6 dBm            | _____dBm         |
| + 2.5 dBm         | _____dBm         | - 6 dBm            | _____dBm         | - 7 dBm            | _____dBm         |
| + 1.5 dBm         | _____dBm         | - 7 dBm            | _____dBm         | - 8 dBm            | _____dBm         |
| + 0.5 dBm         | _____dBm         | - 8 dBm            | _____dBm         | - 9 dBm            | _____dBm         |
| - 0.5 dBm         | _____dBm         | - 9 dBm            | _____dBm         | - 10 dBm           | _____dBm         |
| - 1.5 dBm         | _____dBm         | - 10 dBm           | _____dBm         | - 11 dBm           | _____dBm         |
| - 2.5 dBm         | _____dBm         | - 11 dBm           | _____dBm         | - 12 dBm           | _____dBm         |
| - 3.5 dBm         | _____dBm         | - 12 dBm           | _____dBm         | - 13 dBm           | _____dBm         |

\* Specification is  $\pm 1.0$  dB.

\* Specification is  $\pm 1.0$  dB.

\* Specification is  $\pm 1.5$  dB.

**Power Level Flatness Test Procedure (Step Sweep)**

| Set L1 to: | Max Power | Min Power | Variation ** |
|------------|-----------|-----------|--------------|
| - 1 dBm    | _____dBm  | _____dBm  | _____dB      |

\*\* Maximum variation is 1.6 dB (0.05 to 40 GHz); 2.2 dB (40 to 50 GHz).

**Power Level Flatness Test Procedure (Analog Sweep) (Model 68375B only)**

| Set L1 to: | Max Power | Min Power | Variation *** |
|------------|-----------|-----------|---------------|
| - 1 dBm    | _____dBm  | _____dBm  | _____dB       |

\*\*\* Maximum variation is 6.0 dB (0.5 to 20 GHz); 8.2 dB (20 to 40 GHz); 10.2 dB (40 to 50 GHz)(typical, not a specification).

**3-12 Amplitude Modulation Test**

| <b>AM Input Sensitivity Procedure</b>                                 | <b>Lower Limit</b> | <b>Measured Value</b> | <b>Upper Limit</b> |
|---|--------------------|-----------------------|--------------------|
| Set F1 to 5.0 GHz   |                    |                       |                    |
| Measure and record the Modulation Analyzer AM PK(+) reading . . . . . |                    | _____                 |                    |
| Measure and record the Modulation Analyzer AM PK(-) reading . . . . . |                    | _____                 |                    |
| Calculate and record the actual AM input sensitivity . . . . .        | 45%                | _____ %               | 55%                |

**3-13 Frequency Modulation Tests**

| <b>FM Input Sensitivity Procedure<br/>(Unlocked Wide FM Mode)</b>  | <b>Lower Limit</b> | <b>Measured Value</b> | <b>Upper Limit</b> |
|--|--------------------|-----------------------|--------------------|
| Set F1 to 5.0 GHz  |                    |                       |                    |
| Measure and record the low carrier frequency . . . . .             |                    | _____ MHz             |                    |
| Measure and record the high carrier frequency . . . . .            |                    | _____ MHz             |                    |
| Calculate and record the actual peak-to-peak frequency deviation . | 190 MHz            | _____ MHz             | 210 MHz            |

| <b>FM Input Sensitivity Procedure<br/>(Unlocked Narrow FM Mode)</b>        |       |           |        |
|--|-------|-----------|--------|
| Set F1 to 5.0 GHz  |       |           |        |
| Record the FM deviation frequency displayed on the 68275B/68375B . . . . . |       | _____ MHz |        |
| Calculate and record the FM accuracy . . . . .                             | 93.7% | _____ %   | 106.3% |

| <b>FM Input Sensitivity Procedure<br/>(Locked FM Mode)</b>                 |       |           |        |
|--|-------|-----------|--------|
| Set F1 to 5.0 GHz  |       |           |        |
| Record the FM deviation frequency displayed on the 68275B/68375B . . . . . |       | _____ MHz |        |
| Calculate and record the FM accuracy . . . . .                             | 93.7% | _____ %   | 106.3% |

**3-13 Frequency Modulation Tests (Continued)**

**FM Input Sensitivity Procedure  
(Locked Low-Noise FM Mode)**

|  | Lower Limit | Measured Value | Upper Limit |
|--|-------------|----------------|-------------|
| Set F1 to 5.0 GHz  |             |                |             |
| Record the FM deviation frequency displayed on the 68275B/68375B . . . . . |             | _____ MHz      |             |
| Calculate and record the FM accuracy . . . . .                             | 93.7%       | _____ %        | 106.3%      |

**3-14 Pulse Modulation Tests: Rise Time, Fall Time, Overshoot, and Level**

**Rise Time, Fall Time, and Overshoot**

|                                   | Lower Limit | Measured Value | Upper Limit |
|-----------------------------------|-------------|----------------|-------------|
| Set F1 to 5.0 GHz                 |             |                |             |
| Measure and record the following: |             |                |             |
| Rise Time . . . . .               | N/A         | _____ ns       | 10 ns       |
| Pulse Width . . . . .             | -10 ns      | _____ $\mu$ s  | +10 ns      |
| PRI (period) . . . . .            | -10 ns      | _____ ms       | +10 ns      |
| Overshoot . . . . .               | N/A         | _____ %        | 10%         |

**Pulse Level Accuracy (1 GHz, Pulse Width = 1.0  $\mu$ s)**

|   |         |           |         |
|---|---------|-----------|---------|
| Set F1 to 1.0 GHz   |         |           |         |
| Set pulse width W1 to 1.0 $\mu$ s                         |         |           |         |
| Record the displayed output level L1 (step 5.b) . . . . . |         | _____ dBm |         |
| Record the displayed output level L1 (step 5.d) . . . . . |         | _____ dBm |         |
| Calculate and record the pulse level error. . . . .       | -1.0 dB | _____ dB  | +1.0 dB |

**Pulse Level Accuracy (1 GHz, Pulse Width = 5.0  $\mu$ s)**

|   |         |           |         |
|---|---------|-----------|---------|
| Set F1 to 1.0 GHz   |         |           |         |
| Set pulse width W1 to 5.0 $\mu$ s                         |         |           |         |
| Record the displayed output level L1 (step 5.b) . . . . . |         | _____ dBm |         |
| Record the displayed output level L1 (step 5.d) . . . . . |         | _____ dBm |         |
| Calculate and record the pulse level error. . . . .       | -0.5 dB | _____ dB  | +0.5 dB |

**3-14 Pulse Modulation Tests: Rise Time, Fall Time, Overshoot, and Level (Continued)**

**Pulse Level Accuracy (5 GHz, Pulse Width = 0.5  $\mu$ s)**      Lower Limit    Measured Value    Upper Limit

Set F1 to 5.0 GHz  
Set pulse width W1 to 5.0  $\mu$ s

Record the displayed output level L1 (step 5.b) . . . . . \_\_\_\_\_ dBm

Record the displayed output level L1 (step 5.d) . . . . . \_\_\_\_\_ dBm

Calculate and record the pulse level error. . . . .      -1.0 dB      \_\_\_\_\_ dB      +1.0 dB

**Pulse Level Accuracy (5 GHz, Pulse Width = 5.0  $\mu$ s)**

Set F1 to 5.0 GHz  
Set pulse width W1 to 5.0  $\mu$ s

Record the displayed output level L1 (step 5.b) . . . . . \_\_\_\_\_ dBm

Record the displayed output level L1 (step 5.d) . . . . . \_\_\_\_\_ dBm

Calculate and record the pulse level error. . . . .      -0.5 dB      \_\_\_\_\_ dB      +0.5 dB

**3-15 Pulse Modulation Test: Video Feedthrough**

**Test Procedure**      Lower Limit    Measured Value    Upper Limit

Set F1 to 5.0 GHz  
Set pulse width W1 to 5.0  $\mu$ s  
Set PRI (period) to 0.01 ms

Measure and record the Video Feedthrough voltage spikes . . . . .      -10 mV      \_\_\_\_\_ mV      +10 mV

**3-16 Pulse Modulation Test: RF On/Off Ratio**

**Test Procedure (1 GHz)**

Set F1 to 1.10 GHz

Measure and record the peak of the signal on the Spectrum Analyzer. (Measured signal must be >60 dB below top graticule to meet specification; this represents an On/Off Ratio of >80 dB.) .

**Lower Limit    Measured Value    Upper Limit**

60 dB                  \_\_\_\_\_ dB                  N/A

**Test Procedure (5 GHz)**

Set F1 to 5.0 GHz

Measure and record the peak of the signal on the Spectrum Analyzer. (Measured signal must be >60 dB below top graticule to meet specification; this represents an On/Off Ratio of >80 dB.) .

60 dB                  \_\_\_\_\_ dB                  N/A

**3-17 Phase Modulation Tests**

**$\Phi M$  Input Sensitivity Procedure  
(Wide  $\Phi M$  Mode)**

Set F1 to 5.0 GHz

Record the  $\Phi M$  deviation displayed on the 68275B/68375B . . . . .

\_\_\_\_\_ rad

Calculate and record the  $\Phi M$  accuracy . . . . .

93.7%

\_\_\_\_\_ %

106.3%

**Lower Limit    Measured Value    Upper Limit**

**$\Phi M$  Input Sensitivity Procedure  
(Narrow  $\Phi M$  Mode)**

Set F1 to 5.0 GHz

Record the  $\Phi M$  deviation displayed on the 68275B/68375B . . . . .

\_\_\_\_\_ rad

Calculate and record the  $\Phi M$  accuracy . . . . .

93.7%

\_\_\_\_\_ %

106.3%



ANRITSU Model 68275B/68375B

Date: \_\_\_\_\_

Serial Number \_\_\_\_\_

Calibrated By: \_\_\_\_\_

**4-7 Preliminary Calibration**

***Procedure Step***

**Step Completion**

- 1. Internal DVM Calibration (calterm119) . . . . . \_\_\_\_\_
- 2. Coarse Loop Pretune DAC Calibration (calterm 137) . . . . . \_\_\_\_\_
- 3. Fine Loop Pretune DAC Calibration (calterm 136). . . . . \_\_\_\_\_
- 4. Sweep Time DAC Calibration (calterm 132) . . . . . \_\_\_\_\_
- 5. YIG Frequency Offset DAC Calibration (calterm 134) . . . . . \_\_\_\_\_
- 6. YIG Frequency Linearizer DACs Calibration (calterm 127) . . . . . \_\_\_\_\_
- 7. 100 MHz Reference Oscillator Calibration (calterm 130) . . . . . \_\_\_\_\_
- 8. Ramp Center DAC Calibration (calterm 129) . . . . . \_\_\_\_\_
- 9. Sweep Width DAC Calibration (calterm 133) . . . . . \_\_\_\_\_
- 10. Center Frequency DAC Calibration (calterm 114) . . . . . \_\_\_\_\_
- 11. Store the Calibration Data . . . . . \_\_\_\_\_

**4-8 Switched Filter Shaper Calibration**

***Log Amplifier Zero Calibration***

**Step Completion**

- 1. Log Amplifier Zero Calibration (calterm 115) . . . . . \_\_\_\_\_

***Limiter DAC Adjustment***

- 2. Limiter DAC Adjustment (calterm 145). . . . . \_\_\_\_\_

***Shaper DAC Adjustment***

- 2. Shaper DAC Adjustment (calterm 138) . . . . . \_\_\_\_\_
- 3. Store the Calibration Data . . . . . \_\_\_\_\_

**4-9 RF Level Calibration**

This calibration is performed using an automatic test system. Contact ANRITSU Customer Service for further information.

**4-10 ALC Slope Calibration (68375B having Firware Version 1.00 and above)**

| <b>Procedure Step</b>                      | <b>Step Completion</b> |
|--|------------------------|
| 5. ALC Slope DAC adjustment . . . . .      | _____                  |
| 6. Store the DAC setting value(s). . . . . | _____                  |

**4-11 ALC Bandwidth Calibration**

| <b>Procedure Step</b>                                | <b>Step Completion</b> |
|--|------------------------|
| 1. ALC Bandwidth Calibration (Calterm 110) . . . . . | _____                  |
| 2. Store the Calibration Data . . . . .              | _____                  |

**4-12 AM Calibration**

| <b>Procedure Step</b>  | <b>Step Completion</b> |
|--|------------------------|
| 2. Linear AM Calibration (calterm 112) . . . . .             | _____                  |
| 3. Log AM Calibration (calterm 113) . . . . .                | _____                  |
| 4. AM Meter Calibration (calterm 147) . . . . .              | _____                  |
| 5. AM Function Generator Calibration (calterm 146) . . . . . | _____                  |
| 6. Store the Calibration Data . . . . .                      | _____                  |



**4-13 FM Calibration (68275B/68375B with Firmware Version 1.00)**

| <b>Procedure Step</b>   | <b>Step Completion</b> |
|---|------------------------|
| 1. FM Meter Calibration (calterm 123) . . . . .                       | _____                  |
| 2. FM Offset Balance Calibration (calterm 126) . . . . .              | _____                  |
| 3. External FM Wide Sensitivity Calibration (calterm 124) . . . . .   | _____                  |
| 4. External FM Narrow Sensitivity Calibration (calterm 125) . . . . . | _____                  |
| 5. Internal FM Wide Sensitivity Calibration (calterm 143) . . . . .   | _____                  |
| 6. Internal FM Narrow Sensitivity Calibration (calterm 144) . . . . . | _____                  |
| 7. Store the Calibration Data . . . . .                               | _____                  |

**4-13 FM Calibration (68275B/68375B with Firmware Version 1.07 and above)**

| <b>Procedure Step</b>  | <b>Step Completion</b> |
|--|------------------------|
| 1. FM Meter Calibration (calterm 123) . . . . .  | _____                  |
| 2. FM Variable Gain Linearity Calibration (calterm 148) . . . . .  | _____                  |
| 3. External Unlocked Wide FM Mode Sensitivity Calibration (calterm 124) . . . . .                                | _____                  |
| 4. Internal Unlocked Wide FM Mode Sensitivity Calibration (calterm 143) . . . . .                                | _____                  |
| 5. External Locked, Locked Low-Noise, and Unlocked Narrow FM Mode Sensitivity Calibration (calterm 125). . . . . | _____                  |
| 6. Internal Locked, Locked Low-Noise, and Unlocked Narrow FM Mode Sensitivity Calibration (calterm 144). . . . . | _____                  |
| 7. FM Rear Panel Input Gain Calibration (calterm 154) . . . . .  | _____                  |
| 8. Store the Calibration Data . . . . .  | _____                  |

**4-14 Phase Modulation ( $\Phi$ M) Calibration (Option 6)**

| <b>Procedure Step</b>  | <b>Step Completion</b> |
|--|------------------------|
| 1. External Wide $\Phi$ M Mode Sensitivity Calibration (calterm 149) . . . . .   | _____                  |
| 2. Internal Wide $\Phi$ M Mode Sensitivity Calibration (calterm 151) . . . . .   | _____                  |
| 3. Wide $\Phi$ M Mode Flatness Calibration (calterm 155) . . . . .               | _____                  |
| 4. External Narrow $\Phi$ M Mode Sensitivity Calibration (calterm 150) . . . . . | _____                  |
| 5. Internal Narrow $\Phi$ M Mode Sensitivity Calibration (calterm 152) . . . . . | _____                  |
| 6. Narrow $\Phi$ M Mode Flatness Calibration (calterm 156) . . . . .             | _____                  |
| 7. Store the Calibration Data . . . . .  | _____                  |

ANRITSU Model 68277B/68377B

Date: \_\_\_\_\_

Serial Number \_\_\_\_\_

Tested By: \_\_\_\_\_

|   |
|---|
| <b>3-6 Internal Time Base Aging Rate Test</b> |
|---|

| <i>Test Procedure</i>                                   | <b>Measured Value</b> | <b>Upper Limit</b>   |
|---|-----------------------|--|
| Record frequency error value . . . . .                  | _____                 |  |
| Record frequency error value (after 24 hours) . . . . . | _____                 |  |
| Record the computed aging rate . . . . .                | _____ per day         | $2 \times 10^{-8}$ per day<br>( $5 \times 10^{-10}$ per day<br>with Option 16) |

**3-7 Frequency Synthesis Tests**

**Coarse Loop/YIG Loop Test Procedure**

| Test Frequency (in GHz) | Measured Value * | Test Frequency (in GHz) | Measured Value * |
|-------------------------|------------------|-------------------------|------------------|
| 1.000 000 000           | _____            | 26.000 000 000          | _____            |
| 2.000 000 000           | _____            | 27.000 000 000          | _____            |
| 3.000 000 000           | _____            | 28.000 000 000          | _____            |
| 4.000 000 000           | _____            | 29.000 000 000          | _____            |
| 5.000 000 000           | _____            | 30.000 000 000          | _____            |
| 6.000 000 000           | _____            | 31.000 000 000          | _____            |
| 7.000 000 000           | _____            | 32.000 000 000          | _____            |
| 8.000 000 000           | _____            | 33.000 000 000          | _____            |
| 9.000 000 000           | _____            | 34.000 000 000          | _____            |
| 10.000 000 000          | _____            | 35.000 000 000          | _____            |
| 11.000 000 000          | _____            | 36.000 000 000          | _____            |
| 12.000 000 000          | _____            | 37.000 000 000          | _____            |
| 13.000 000 000          | _____            | 38.000 000 000          | _____            |
| 14.000 000 000          | _____            | 39.000 000 000          | _____            |
| 15.000 000 000          | _____            | 40.000 000 000          | _____            |
| 16.000 000 000          | _____            | 41.000 000 000          | _____            |
| 17.000 000 000          | _____            | 42.000 000 000          | _____            |
| 18.000 000 000          | _____            | 43.000 000 000          | _____            |
| 19.000 000 000          | _____            | 44.000 000 000          | _____            |
| 20.000 000 000          | _____            | 45.000 000 000          | _____            |
| 21.000 000 000          | _____            | 46.000 000 000          | _____            |
| 22.000 000 000          | _____            | 47.000 000 000          | _____            |
| 23.000 000 000          | _____            | 48.000 000 000          | _____            |
| 24.000 000 000          | _____            | 49.000 000 000          | _____            |
| 25.000 000 000          | _____            | 50.000 000 000          | _____            |

\* Specification for all frequencies listed above is  $\pm 100$  Hz.

**3-7 Frequency Synthesis Tests**

***Fine Loop Test Procedure (Standard 68X77B)***

| <b>Test Frequency (in Ghz)</b> | <b>Measured Value **</b> |
|--------------------------------|--------------------------|
| 1.000 001 000                  | _____                    |
| 1.000 002 000                  | _____                    |
| 1.000 003 000                  | _____                    |
| 1.000 004 000                  | _____                    |
| 1.000 005 000                  | _____                    |
| 1.000 006 000                  | _____                    |
| 1.000 007 000                  | _____                    |
| 1.000 008 000                  | _____                    |
| 1.000 009 000                  | _____                    |
| 1.000 010 000                  | _____                    |

\*\* Specifications for all frequencies listed above is  $\pm 100$  Hz.

***Fine Loop Test Procedure (68X77B with Option 11)***

| <b>Test Frequency (in Ghz)</b> | <b>Measured Value ***</b> |
|--------------------------------|---------------------------|
| 1.000 000 100                  | _____                     |
| 1.000 000 200                  | _____                     |
| 1.000 000 300                  | _____                     |
| 1.000 000 400                  | _____                     |
| 1.000 000 500                  | _____                     |
| 1.000 000 600                  | _____                     |
| 1.000 000 700                  | _____                     |
| 1.000 000 800                  | _____                     |
| 1.000 000 900                  | _____                     |
| 1.000 001 000                  | _____                     |

\*\*\* Specification for all frequencies listed above is  $\pm 10$  Hz.

**3-8 Spurious Signals Test: RF Output Signals <2 GHz**

| <b>Test Procedure</b>  | <b>Measured Value</b> | <b>Upper Limit</b> |
|--|-----------------------|--------------------|
| Set F1 to 10 MHz   |                       |                    |
| Record the presence of the worst case harmonic . . . . .     | _____dBc              | -30 dBc            |
| Record the presence of the worst case non-harmonic . . . . . | _____dBc              | -40 dBc            |
| Set F1 to 20 MHz   |                       |                    |
| Record the presence of the worst case harmonic . . . . .     | _____dBc              | -30 dBc            |
| Record the presence of the worst case non-harmonic . . . . . | _____dBc              | -40 dBc            |
| Set F1 to 30 MHz   |                       |                    |
| Record the presence of the worst case harmonic . . . . .     | _____dBc              | -30 dBc            |
| Record the presence of the worst case non-harmonic . . . . . | _____dBc              | -40 dBc            |
| Set F1 to 40 MHz   |                       |                    |
| Record the presence of the worst case harmonic . . . . .     | _____dBc              | -30 dBc            |
| Record the presence of the worst case non-harmonic . . . . . | _____dBc              | -40 dBc            |
| Set F1 to 350 MHz  |                       |                    |
| Record the presence of the worst case harmonic . . . . .     | _____dBc              | -40 dBc            |
| Record the presence of the worst case non-harmonic . . . . . | _____dBc              | -40 dBc            |
| Set F1 to 1.6 GHz  |                       |                    |
| Record the presence of the worst case non-harmonic . . . . . | _____dBc              | -40 dBc            |
| Set F1 to 1.6 GHz  |                       |                    |
| Record the level of the harmonics of the 1.6 GHz carrier:    |                       |                    |
| 3.2 GHz (2nd harmonic) . . . . .                             | _____dBc              | -40 dBc            |
| 4.8 GHz (3rd harmonic) . . . . .                             | _____dBc              | -40 dBc            |

**3-9 Harmonic Test: RF Output Signals From 2 to 20 GHz**

**Test Procedure (2 to 10 GHz)**

Set F1 to 2.1 GHz

Record the level of all harmonics of the 2.1 GHz carrier:

|                                  | Measure Value | Upper Limit |
|----------------------------------|---------------|-------------|
| 4.2 GHz (2nd harmonic) . . . . . | _____dBc      | -50 dBc     |
| 6.3 GHz (3rd harmonic). . . . .  | _____dBc      | -50 dBc     |
| 8.4 GHz (4th harmonic). . . . .  | _____dBc      | -50 dBc     |
| 10.5 GHz (5th harmonic). . . . . | _____dBc      | -50 dBc     |
| 12.6 GHz (6th harmonic). . . . . | _____dBc      | -50 dBc     |
| 14.7 GHz (7th harmonic). . . . . | _____dBc      | -50 dBc     |
| 16.8 GHz (8th harmonic). . . . . | _____dBc      | -50 dBc     |
| 18.9 GHz (9th harmonic). . . . . | _____dBc      | -50 dBc     |

Set F1 to 3.6 GHz

Record the level of all harmonics of the 3.6 GHz carrier:

|                                   |          |         |
|-----------------------------------|----------|---------|
| 7.2 GHz (2nd harmonic) . . . . .  | _____dBc | -50 dBc |
| 10.8 GHz (3rd harmonic). . . . .  | _____dBc | -50 dBc |
| 14.4 GHz (4th harmonic). . . . .  | _____dBc | -50 dBc |
| 18.0 GHz (5th harmonic) . . . . . | _____dBc | -50 dBc |

Set F1 to 7.0 GHz

Record the level of all harmonics of the 7 GHz carrier:

|                                   |          |         |
|-----------------------------------|----------|---------|
| 14.0 GHz (2nd harmonic) . . . . . | _____dBc | -50 dBc |
|-----------------------------------|----------|---------|

Set F1 to 10.0 GHz

Record the level of all harmonics of the 10 GHz carrier:

|                                   |          |         |
|-----------------------------------|----------|---------|
| 20.0 GHz (2nd harmonic) . . . . . | _____dBc | -50 dBc |
|-----------------------------------|----------|---------|

**Test Procedure (11 to 20 GHz)**

Set F1 to 12.4 GHz

Record the level of all harmonics of the 12.4 GHz carrier:

|                                   |          |         |
|-----------------------------------|----------|---------|
| 24.8 GHz (2nd harmonic) . . . . . | _____dBc | -50 dBc |
| 37.2 GHz (3rd harmonic). . . . .  | _____dBc | -50 dBc |

Set F1 to 16.0 GHz

Record the level of all harmonics of the 16.0 GHz carrier:

|                                   |          |         |
|-----------------------------------|----------|---------|
| 32.0 GHz (2nd harmonic) . . . . . | _____dBc | -50 dBc |
|-----------------------------------|----------|---------|

Set F1 to 20.0 GHz

Record the level of all harmonics of the 20.0 GHz carrier:

|                                   |          |         |
|-----------------------------------|----------|---------|
| 40.0 GHz (2nd harmonic) . . . . . | _____dBc | -50 dBc |
|-----------------------------------|----------|---------|

**3-10 Single Sideband Phase Noise Test**

| <i>Test Procedure</i>                           | <b>Measured Value</b> | <b>Upper Limit</b> |
|---|-----------------------|--------------------|
| Set F1 to 0.6 GHz                               |                       |                    |
| Record the phase noise levels at these offsets: |                       |                    |
| 100 Hz . . . . .                                | _____ dBc             | -74 dBc            |
| 1 kHz . . . . .                                 | _____ dBc             | -85 dBc            |
| 10 kHz . . . . .                                | _____ dBc             | -82 dBc            |
| 100 kHz . . . . .                               | _____ dBc             | -97 dBc            |
| Set F1 to 2.0 GHz                               |                       |                    |
| Record the phase noise levels at these offsets: |                       |                    |
| 100 Hz . . . . .                                | _____ dBc             | -77 dBc            |
| 1 kHz . . . . .                                 | _____ dBc             | -85 dBc            |
| 10 kHz . . . . .                                | _____ dBc             | -83 dBc            |
| 100 kHz . . . . .                               | _____ dBc             | -99 dBc            |
| Set F1 to 6.0 GHz                               |                       |                    |
| Record the phase noise levels at these offsets: |                       |                    |
| 100 Hz . . . . .                                | _____ dBc             | -75 dBc            |
| 1 kHz . . . . .                                 | _____ dBc             | -85 dBc            |
| 10 kHz . . . . .                                | _____ dBc             | -83 dBc            |
| 100 kHz . . . . .                               | _____ dBc             | -99 dBc            |
| Set F1 to 10.0 GHz                              |                       |                    |
| Record the phase noise levels at these offsets: |                       |                    |
| 100 Hz . . . . .                                | _____ dBc             | -70 dBc            |
| 1 kHz . . . . .                                 | _____ dBc             | -83 dBc            |
| 10 kHz . . . . .                                | _____ dBc             | -80 dBc            |
| 100 kHz . . . . .                               | _____ dBc             | -99 dBc            |
| Set F1 to 20.0 GHz                              |                       |                    |
| Record the phase noise levels at these offsets: |                       |                    |
| 100 Hz . . . . .                                | _____ dBc             | -63 dBc            |
| 1 kHz . . . . .                                 | _____ dBc             | -75 dBc            |
| 10 kHz . . . . .                                | _____ dBc             | -75 dBc            |
| 100 kHz . . . . .                               | _____ dBc             | -97 dBc            |



**3-10 Single Sideband Phase Noise Test (Continued)**

| <i>Test Procedure</i>                           | <b>Measured Value</b> | <b>Upper Limit</b> |
|---|-----------------------|--------------------|
| Set F1 to 26.5 GHz                              |                       |                    |
| Record the phase noise levels at these offsets: |                       |                    |
| 100 Hz . . . . .                                | _____dBc              | -60 dBc            |
| 1 kHz . . . . .                                 | _____dBc              | -75 dBc            |
| 10 kHz . . . . .                                | _____dBc              | -73 dBc            |
| 100 kHz . . . . .                               | _____dBc              | -93 dBc            |

**3-11 Power Level Accuracy and Flatness Tests  
(Model 68277B/68377B without Option 2C Step Attenuator)**

**Power Level Accuracy Test Procedure**

| Set F1 to 5.0 GHz |                  | Set F1 to 25.0 GHz |                  | Set F1 to 45.0 GHz |                  |
|-------------------|------------------|--------------------|------------------|--------------------|------------------|
| Set L1 to:        | Measured Power * | Set L1 to:         | Measured Power * | Set L1 to:         | Measured Power * |
| +10 dBm           | _____dBm         | + 2.5 dBm          | _____dBm         | + 2.5 dBm          | _____dBm         |
| + 9 dBm           | _____dBm         | + 1.5 dBm          | _____dBm         | + 1.5 dBm          | _____dBm         |
| + 8 dBm           | _____dBm         | + 0.5 dBm          | _____dBm         | + 0.5 dBm          | _____dBm         |
| + 7 dBm           | _____dBm         | - 0.5 dBm          | _____dBm         | - 0.5 dBm          | _____dBm         |
| + 6 dBm           | _____dBm         | - 1.5 dBm          | _____dBm         | - 1.5 dBm          | _____dBm         |
| + 5 dBm           | _____dBm         | - 2.5 dBm          | _____dBm         | - 2.5 dBm          | _____dBm         |
| + 4 dBm           | _____dBm         | - 3.5 dBm          | _____dBm         | - 3.5 dBm          | _____dBm         |
| + 3 dBm           | _____dBm         | - 4.5 dBm          | _____dBm         | - 4.5 dBm          | _____dBm         |
| + 2 dBm           | _____dBm         | - 5.5 dBm          | _____dBm         | - 5.5 dBm          | _____dBm         |
| + 1 dBm           | _____dBm         | - 6.5 dBm          | _____dBm         | - 6.5 dBm          | _____dBm         |
| + 0 dBm           | _____dBm         | - 7.5 dBm          | _____dBm         | - 7.5 dBm          | _____dBm         |
| - 1 dBm           | _____dBm         | - 8.5 dBm          | _____dBm         | - 8.5 dBm          | _____dBm         |
| - 2 dBm           | _____dBm         | - 9.5 dBm          | _____dBm         | - 9.5 dBm          | _____dBm         |

\* Specification is  $\pm 1.0$  dB.

\* Specification is  $\pm 1.0$  dB.

\* Specification is  $\pm 1.5$  dB.

**Power Level Flatness Test Procedure (Step Sweep)**

| Set L1 to: | Max Power | Min Power | Variation ** |
|------------|-----------|-----------|--------------|
| + 2.5 dBm  | _____dBm  | _____dBm  | _____dB      |

\*\* Maximum variation is 4.0 dB (0.01 to 0.05 GHz); 1.6 dB (0.05 to 40 GHz); 2.2 dB (40 to 50 GHz).

**Power Level Flatness Test Procedure (Analog Sweep) (Model 68377B only)**

| Set L1 to: | Max Power | Min Power | Variation *** |
|------------|-----------|-----------|---------------|
| + 2.5 dBm  | _____dBm  | _____dBm  | _____dB       |

\*\*\* Maximum variation is 4.0 dB (0.01 to 0.05 GHz); 2.0 dB (0.05 to 20 GHz); 4.0 dB (20 to 40 GHz); 5.0 dB (40 to 50 GHz)(typical, not a specification).

**3-11 Power Level Accuracy and Flatness Tests (Continued)  
(Model 68277B/68377B with Option 2C Step Attenuator)**

**Power Level Accuracy Test Procedure**

| Set F1 to 5.0 GHz |                  | Set F1 to 25.0 GHz |                  | Set F1 to 45.0 GHz |                  |
|-------------------|------------------|--------------------|------------------|--------------------|------------------|
| Set L1 to:        | Measured Power * | Set L1 to:         | Measured Power * | Set L1 to:         | Measured Power * |
| + 8.5 dBm         | _____dBm         | + 0 dBm            | _____dBm         | - 1 dBm            | _____dBm         |
| + 7.5 dBm         | _____dBm         | - 1 dBm            | _____dBm         | - 2 dBm            | _____dBm         |
| + 6.5 dBm         | _____dBm         | - 2 dBm            | _____dBm         | - 3 dBm            | _____dBm         |
| + 5.5 dBm         | _____dBm         | - 3 dBm            | _____dBm         | - 4 dBm            | _____dBm         |
| + 4.5 dBm         | _____dBm         | - 4 dBm            | _____dBm         | - 5 dBm            | _____dBm         |
| + 3.5 dBm         | _____dBm         | - 5 dBm            | _____dBm         | - 6 dBm            | _____dBm         |
| + 2.5 dBm         | _____dBm         | - 6 dBm            | _____dBm         | - 7 dBm            | _____dBm         |
| + 1.5 dBm         | _____dBm         | - 7 dBm            | _____dBm         | - 8 dBm            | _____dBm         |
| + 0.5 dBm         | _____dBm         | - 8 dBm            | _____dBm         | - 9 dBm            | _____dBm         |
| - 0.5 dBm         | _____dBm         | - 9 dBm            | _____dBm         | -10 dBm            | _____dBm         |
| - 1.5 dBm         | _____dBm         | -10 dBm            | _____dBm         | -11 dBm            | _____dBm         |
| - 2.5 dBm         | _____dBm         | -11 dBm            | _____dBm         | -12 dBm            | _____dBm         |
| - 3.5 dBm         | _____dBm         | -12 dBm            | _____dBm         | -13 dBm            | _____dBm         |

\* Specification is ±1.0 dB.                      \* Specification is ±1.0 dB.                      \* Specification is ±1.5 dB.

**Power Level Flatness Test Procedure (Step Sweep)**

| Set L1 to: | Max Power | Min Power | Variation ** |
|------------|-----------|-----------|--------------|
| - 1 dBm    | _____dBm  | _____dBm  | _____dB      |

\*\* Maximum variation is 4.0 dB (0.01 to 0.05 GHz); 1.6 dB (0.05 to 40 GHz); 2.2 dB (40 to 50 GHz).

**Power Level Flatness Test Procedure (Analog Sweep) (Model 68377B only)**

| Set L1 to: | Max Power | Min Power | Variation *** |
|------------|-----------|-----------|---------------|
| - 1 dBm    | _____dBm  | _____dBm  | _____dB       |

\*\*\* Maximum variation is 7.0 dB (0.01 to 0.05 GHz); 6.0 dB (0.05 to 20 GHz); 8.2 dB (20 to 40 GHz); 10.2 dB (40 to 50 GHz)(typical, not a specification).

**3-12 Amplitude Modulation Test**

| <b>AM Input Sensitivity Procedure</b>                                 | <b>Lower Limit</b> | <b>Measured Value</b> | <b>Upper Limit</b> |
|---|--------------------|-----------------------|--------------------|
| Set F1 to 5.0 GHz   |                    |                       |                    |
| Measure and record the Modulation Analyzer AM PK(+) reading . . . . . |                    | _____                 |                    |
| Measure and record the Modulation Analyzer AM PK(-) reading . . . . . |                    | _____                 |                    |
| Calculate and record the actual AM input sensitivity . . . . .        | 45%                | _____ %               | 55%                |

**3-13 Frequency Modulation Tests**

| <b>FM Input Sensitivity Procedure<br/>(Unlocked Wide FM Mode)</b>  | <b>Lower Limit</b> | <b>Measured Value</b> | <b>Upper Limit</b> |
|--|--------------------|-----------------------|--------------------|
| Set F1 to 5.0 GHz  |                    |                       |                    |
| Measure and record the low carrier frequency . . . . .             |                    | _____ MHz             |                    |
| Measure and record the high carrier frequency . . . . .            |                    | _____ MHz             |                    |
| Calculate and record the actual peak-to-peak frequency deviation . | 190 MHz            | _____ MHz             | 210 MHz            |

| <b>FM Input Sensitivity Procedure<br/>(Unlocked Narrow FM Mode)</b>        | <b>Lower Limit</b> | <b>Measured Value</b> | <b>Upper Limit</b> |
|--|--------------------|-----------------------|--------------------|
| Set F1 to 5.0 GHz  |                    |                       |                    |
| Record the FM deviation frequency displayed on the 68277B/68377B . . . . . |                    | _____ MHz             |                    |
| Calculate and record the FM accuracy . . . . .                             | 93.7%              | _____ %               | 106.3%             |

| <b>FM Input Sensitivity Procedure<br/>(Locked FM Mode)</b>                 | <b>Lower Limit</b> | <b>Measured Value</b> | <b>Upper Limit</b> |
|--|--------------------|-----------------------|--------------------|
| Set F1 to 5.0 GHz  |                    |                       |                    |
| Record the FM deviation frequency displayed on the 68277B/68377B . . . . . |                    | _____ MHz             |                    |
| Calculate and record the FM accuracy . . . . .                             | 93.7%              | _____ %               | 106.3%             |

**3-13 Frequency Modulation Tests (Continued)**

**FM Input Sensitivity Procedure  
(Locked Low-Noise FM Mode)**

|  | Lower Limit | Measured Value | Upper Limit |
|--|-------------|----------------|-------------|
| Set F1 to 5.0 GHz  |             |                |             |
| Record the FM deviation frequency displayed on the 68277B/68377B . . . . . |             | _____ MHz      |             |
| Calculate and record the FM accuracy . . . . .                             | 93.7%       | _____ %        | 106.3%      |

**3-14 Pulse Modulation Tests: Rise Time, Fall Time, Overshoot, and Level**

**Rise Time, Fall Time, and Overshoot**

|                                   | Lower Limit | Measured Value | Upper Limit |
|-----------------------------------|-------------|----------------|-------------|
| Set F1 to 5.0 GHz                 |             |                |             |
| Measure and record the following: |             |                |             |
| Rise Time . . . . .               | N/A         | _____ ns       | 10 ns       |
| Pulse Width . . . . .             | -10 ns      | _____ $\mu$ s  | +10 ns      |
| PRI (period) . . . . .            | -10 ns      | _____ ms       | +10 ns      |
| Overshoot . . . . .               | N/A         | _____ %        | 10%         |

**Pulse Level Accuracy (1 GHz, Pulse Width = 1.0  $\mu$ s)**

|   |         |           |         |
|---|---------|-----------|---------|
| Set F1 to 1.0 GHz   |         |           |         |
| Set pulse width W1 to 1.0 $\mu$ s                         |         |           |         |
| Record the displayed output level L1 (step 5.b) . . . . . |         | _____ dBm |         |
| Record the displayed output level L1 (step 5.d) . . . . . |         | _____ dBm |         |
| Calculate and record the pulse level error. . . . .       | -1.0 dB | _____ dB  | +1.0 dB |

**Pulse Level Accuracy (1 GHz, Pulse Width = 5.0  $\mu$ s)**

|   |         |           |         |
|---|---------|-----------|---------|
| Set F1 to 1.0 GHz   |         |           |         |
| Set pulse width W1 to 5.0 $\mu$ s                         |         |           |         |
| Record the displayed output level L1 (step 5.b) . . . . . |         | _____ dBm |         |
| Record the displayed output level L1 (step 5.d) . . . . . |         | _____ dBm |         |
| Calculate and record the pulse level error. . . . .       | -0.5 dB | _____ dB  | +0.5 dB |

**3-14 Pulse Modulation Tests: Rise Time, Fall Time, Overshoot, and Level (Continued)**

| <i>Pulse Level Accuracy (5 GHz, Pulse Width = 0.5 <math>\mu</math>s)</i> | Lower Limit | Measured Value | Upper Limit |
|--|-------------|----------------|-------------|
| Set F1 to 5.0 GHz<br>Set pulse width W1 to 5.0 $\mu$ s                   |             |                |             |
| Record the displayed output level L1 (step 5.b) . . . . .                |             | _____ dBm      |             |
| Record the displayed output level L1 (step 5.d) . . . . .                |             | _____ dBm      |             |
| Calculate and record the pulse level error. . . . .                      | -1.0 dB     | _____ dB       | +1.0 dB     |

**Pulse Level Accuracy (5 GHz, Pulse Width = 5.0  $\mu$ s)**

|   |         |           |         |
|---|---------|-----------|---------|
| Set F1 to 5.0 GHz<br>Set pulse width W1 to 5.0 $\mu$ s    |         |           |         |
| Record the displayed output level L1 (step 5.b) . . . . . |         | _____ dBm |         |
| Record the displayed output level L1 (step 5.d) . . . . . |         | _____ dBm |         |
| Calculate and record the pulse level error. . . . .       | -0.5 dB | _____ dB  | +0.5 dB |

**3-15 Pulse Modulation Test: Video Feedthrough**

| <i>Test Procedure</i>   | Lower Limit | Measured Value | Upper Limit |
|---|-------------|----------------|-------------|
| Set F1 to 5.0 GHz<br>Set pulse width W1 to 5.0 $\mu$ s<br>Set PRI (period) to 0.01 ms |             |                |             |
| Measure and record the Video Feedthrough voltage spikes . . . . .                     | -10 mV      | _____ mV       | +10 mV      |

**3-16 Pulse Modulation Test: RF On/Off Ratio**

**Test Procedure (1 GHz)**

Set F1 to 1.10 GHz

Measure and record the peak of the signal on the Spectrum Analyzer. (Measured signal must be >60 dB below top graticule to meet specification; this represents an On/Off Ratio of >80 dB.) .

**Lower Limit      Measured Value      Upper Limit**

60 dB      \_\_\_\_\_ dB      N/A

**Test Procedure (5 GHz)**

Set F1 to 5.0 GHz

Measure and record the peak of the signal on the Spectrum Analyzer. (Measured signal must be >60 dB below top graticule to meet specification; this represents an On/Off Ratio of >80 dB.) .

60 dB      \_\_\_\_\_ dB      N/A

**3-17 Phase Modulation Tests**

**$\Phi$ M Input Sensitivity Procedure  
(Wide  $\Phi$ M Mode)**

Set F1 to 5.0 GHz

Record the  $\Phi$ M deviation displayed on the 68277B/68377B . . . . .

\_\_\_\_\_ rad

Calculate and record the  $\Phi$ M accuracy . . . . .

93.7%

\_\_\_\_\_ %

106.3%

**Lower Limit      Measured Value      Upper Limit**

**$\Phi$ M Input Sensitivity Procedure  
(Narrow  $\Phi$ M Mode)**

Set F1 to 5.0 GHz

Record the  $\Phi$ M deviation displayed on the 68277B/68377B . . . . .

\_\_\_\_\_ rad

Calculate and record the  $\Phi$ M accuracy . . . . .

93.7%

\_\_\_\_\_ %

106.3%





ANRITSU Model 68277B/68377B

Date: \_\_\_\_\_

Serial Number \_\_\_\_\_

Calibrated By: \_\_\_\_\_

**4-7 Preliminary Calibration**

| <i>Procedure Step</i>  | <b>Step Completion</b> |
|--|------------------------|
| 1. Internal DVM Calibration (calterm119) . . . . .                   | _____                  |
| 2. Coarse Loop Pretune DAC Calibration (calterm 137) . . . . .       | _____                  |
| 3. Fine Loop Pretune DAC Calibration (calterm 136). . . . .          | _____                  |
| 4. Sweep Time DAC Calibration (calterm 132) . . . . .                | _____                  |
| 5. YIG Frequency Offset DAC Calibration (calterm 134) . . . . .      | _____                  |
| 6. YIG Frequency Linearizer DACs Calibration (calterm 127) . . . . . | _____                  |
| 7. 100 MHz Reference Oscillator Calibration (calterm 130) . . . . .  | _____                  |
| 8. Ramp Center DAC Calibration (calterm 129) . . . . .               | _____                  |
| 9. Sweep Width DAC Calibration (calterm 133) . . . . .               | _____                  |
| 10. Center Frequency DAC Calibration (calterm 114) . . . . .         | _____                  |
| 11. Store the Calibration Data . . . . .                             | _____                  |

**4-8 Switched Filter Shaper Calibration**

| <i>Log Amplifier Zero Calibration</i>                     | <b>Step Completion</b> |
|---|------------------------|
| 1. Log Amplifier Zero Calibration (calterm 115) . . . . . | _____                  |

| <i>Limiter DAC Adjustment</i>                    | <b>Step Completion</b> |
|--|------------------------|
| 2. Limiter DAC Adjustment (calterm 145). . . . . | _____                  |

| <i>Shaper DAC Adjustment</i>                     | <b>Step Completion</b> |
|--|------------------------|
| 2. Shaper DAC Adjustment (calterm 138) . . . . . | _____                  |
| 3. Store the Calibration Data . . . . .          | _____                  |

**4-9 RF Level Calibration**

This calibration is performed using an automatic test system. Contact ANRITSU Customer Service for further information.

**4-10 ALC Slope Calibration (68377B having Firmware Version 1.01 to 2.00)**

| <b>Procedure Step</b>                                  | <b>Step Completion</b> |
|--|------------------------|
| 5. ALC Slope DAC adjustment for $\leq 2$ GHz . . . . . | _____                  |
| 9. ALC Slope DAC adjustment for $> 2$ GHz. . . . .     | _____                  |
| 10. Store the DAC setting value(s). . . . .            | _____                  |

**4-10 ALC Slope Calibration (68377B having Firware Version 2.00 and above)**

| <b>Procedure Step</b>                         | <b>Step Completion</b> |
|---|------------------------|
| 5. ALC Slope DAC adjustment (68377B). . . . . | _____                  |
| 6. Store the DAC setting value(s). . . . .    | _____                  |

**4-11 ALC Bandwidth Calibration**

| <b>Procedure Step</b>                                | <b>Step Completion</b> |
|--|------------------------|
| 1. ALC Bandwidth Calibration (Calterm 110) . . . . . | _____                  |
| 2. Store the Calibration Data . . . . .              | _____                  |

**4-12 AM Calibration**

| <b>Procedure Step</b>  | <b>Step Completion</b> |
|--|------------------------|
| 2. Linear AM Calibration (calterm 112) . . . . .             | _____                  |
| 3. Log AM Calibration (calterm 113) . . . . .                | _____                  |
| 4. AM Meter Calibration (calterm 147) . . . . .              | _____                  |
| 5. AM Function Generator Calibration (calterm 146) . . . . . | _____                  |

**4-13 FM Calibration (68277B/68377B with Firmware Version 1.01 to 2.10)**

| <b>Procedure Step</b>   | <b>Step Completion</b> |
|---|------------------------|
| 1. FM Meter Calibration (calterm 123) . . . . .                       | _____                  |
| 2. FM Offset Balance Calibration (calterm 126) . . . . .              | _____                  |
| 3. External FM Wide Sensitivity Calibration (calterm 124) . . . . .   | _____                  |
| 4. External FM Narrow Sensitivity Calibration (calterm 125) . . . . . | _____                  |
| 5. Internal FM Wide Sensitivity Calibration (calterm 143) . . . . .   | _____                  |
| 6. Internal FM Narrow Sensitivity Calibration (calterm 144) . . . . . | _____                  |
| 7. Store the Calibration Data . . . . .                               | _____                  |

**4-13 FM Calibration (68277B with Firmware Version 2.18 and above;  
68377B with Firmware Version 2.20 and above)**

| <b>Procedure Step</b>   | <b>Step Completion</b> |
|---|------------------------|
| 1. FM Meter Calibration (calterm 123) . . . . .   | _____                  |
| 2. FM Variable Gain Linearity Calibration (calterm 148) . . . . .   | _____                  |
| 3. External Unlocked Wide FM Mode Sensitivity Calibration (calterm 124) . . . . .                                   | _____                  |
| 4. Internal Unlocked Wide FM Mode Sensitivity Calibration (calterm 143) . . . . .                                   | _____                  |
| 5. Internal Locked, Locked Low-Noise, and Unlocked Narrow FM Mode Sensitivity<br>Calibration (calterm 125). . . . . | _____                  |
| 6. Internal Locked, Locked Low-Noise, and Unlocked Narrow FM Mode Sensitivity<br>Calibration (calterm 144). . . . . | _____                  |
| 7. FM Rear Panel Input Gain Calibration (calterm 154) . . . . .   | _____                  |
| 8. Store the Calibration Data . . . . .   | _____                  |

**4-14 Phase Modulation ( $\Phi$ M) Calibration (Option 6)**

| <b>Procedure Step</b>  | <b>Step Completion</b> |
|--|------------------------|
| 1. External Wide $\Phi$ M Mode Sensitivity Calibration (calterm 149) . . . . .   | _____                  |
| 2. Internal Wide $\Phi$ M Mode Sensitivity Calibration (calterm 151) . . . . .   | _____                  |
| 3. Wide $\Phi$ M Mode Flatness Calibration (calterm 155) . . . . .               | _____                  |
| 4. External Narrow $\Phi$ M Mode Sensitivity Calibration (calterm 150) . . . . . | _____                  |
| 5. Internal Narrow $\Phi$ M Mode Sensitivity Calibration (calterm 152) . . . . . | _____                  |
| 6. Narrow $\Phi$ M Mode Flatness Calibration (calterm 156) . . . . .             | _____                  |
| 7. Store the Calibration Data . . . . .  | _____                  |

ANRITSU Model 68285B/68385B

Date: \_\_\_\_\_

Serial Number \_\_\_\_\_

Tested By: \_\_\_\_\_

|   |
|---|
| <b>3-6 Internal Time Base Aging Rate Test</b> |
|---|

| <i>Test Procedure</i>                                   | <b>Measured Value</b> | <b>Upper Limit</b>   |
|---|-----------------------|--|
| Record frequency error value . . . . .                  | _____                 |  |
| Record frequency error value (after 24 hours) . . . . . | _____                 |  |
| Record the computed aging rate . . . . .                | _____ per day         | $2 \times 10^{-8}$ per day<br>( $5 \times 10^{-10}$ per day<br>with Option 16) |

**3-7 Frequency Synthesis Tests**

**Coarse Loop/YIG Loop Test Procedure**

| Test Frequency (in GHz) | Measured Value * | Test Frequency (in GHz) | Measured Value * |
|-------------------------|------------------|-------------------------|------------------|
| 1.000 000 000           | _____            | 26.000 000 000          | _____            |
| 2.000 000 000           | _____            | 27.000 000 000          | _____            |
| 3.000 000 000           | _____            | 28.000 000 000          | _____            |
| 4.000 000 000           | _____            | 29.000 000 000          | _____            |
| 5.000 000 000           | _____            | 30.000 000 000          | _____            |
| 6.000 000 000           | _____            | 31.000 000 000          | _____            |
| 7.000 000 000           | _____            | 32.000 000 000          | _____            |
| 8.000 000 000           | _____            | 33.000 000 000          | _____            |
| 9.000 000 000           | _____            | 34.000 000 000          | _____            |
| 10.000 000 000          | _____            | 35.000 000 000          | _____            |
| 11.000 000 000          | _____            | 36.000 000 000          | _____            |
| 12.000 000 000          | _____            | 37.000 000 000          | _____            |
| 13.000 000 000          | _____            | 38.000 000 000          | _____            |
| 14.000 000 000          | _____            | 39.000 000 000          | _____            |
| 15.000 000 000          | _____            | 40.000 000 000          | _____            |
| 16.000 000 000          | _____            | 41.000 000 000          | _____            |
| 17.000 000 000          | _____            | 42.000 000 000          | _____            |
| 18.000 000 000          | _____            | 43.000 000 000          | _____            |
| 19.000 000 000          | _____            | 44.000 000 000          | _____            |
| 20.000 000 000          | _____            | 45.000 000 000          | _____            |
| 21.000 000 000          | _____            | 46.000 000 000          | _____            |
| 22.000 000 000          | _____            | 47.000 000 000          | _____            |
| 23.000 000 000          | _____            | 48.000 000 000          | _____            |
| 24.000 000 000          | _____            | 49.000 000 000          | _____            |
| 25.000 000 000          | _____            | 50.000 000 000          | _____            |

**3-7 Frequency Synthesis Tests (Continued)**

**Coarse Loop/YIG Loop Test Procedure (Continued)**

| Test Frequency (in GHz) | Measured Value * | Test Frequency (in GHz) | Measured Value * |
|-------------------------|------------------|-------------------------|------------------|
| 51.000 000 000          | _____            | 56.000 000 000          | _____            |
| 52.000 000 000          | _____            | 57.000 000 000          | _____            |
| 53.000 000 000          | _____            | 58.000 000 000          | _____            |
| 54.000 000 000          | _____            | 59.000 000 000          | _____            |
| 55.000 000 000          | _____            | 60.000 000 000          | _____            |

\* Specification for all frequencies listed above is  $\pm 100$  Hz.

**Fine Loop Test Procedure (Standard 68X85B)**

| Test Frequency (in Ghz) | Measured Value ** |
|-------------------------|-------------------|
| 1.000 001 000           | _____             |
| 1.000 002 000           | _____             |
| 1.000 003 000           | _____             |
| 1.000 004 000           | _____             |
| 1.000 005 000           | _____             |
| 1.000 006 000           | _____             |
| 1.000 007 000           | _____             |
| 1.000 008 000           | _____             |
| 1.000 009 000           | _____             |
| 1.000 010 000           | _____             |

\*\* Specifications for all frequencies listed above is  $\pm 100$  Hz.

**Fine Loop Test Procedure (68X85B with Option 11)**

| Test Frequency (in Ghz) | Measured Value *** |
|-------------------------|--------------------|
| 1.000 000 100           | _____              |
| 1.000 000 200           | _____              |
| 1.000 000 300           | _____              |
| 1.000 000 400           | _____              |
| 1.000 000 500           | _____              |
| 1.000 000 600           | _____              |
| 1.000 000 700           | _____              |
| 1.000 000 800           | _____              |
| 1.000 000 900           | _____              |
| 1.000 001 000           | _____              |

\*\*\* Specification for all frequencies listed above is  $\pm 10$  Hz.

**3-8 Spurious Signals Test: RF Output Signals  $\leq 2.2$  GHz**

| <b>Test Procedure</b>                                     | <b>Measured Value</b> | <b>Upper Limit</b> |
|---|-----------------------|--------------------|
| Set F1 to 500 MHz   |                       |                    |
| Record the level of all harmonics of the 500 MHz carrier: |                       |                    |
| 1.0 GHz (2nd harmonic) . . . . .                          | _____ dBc             | -50 dBc            |
| 1.5 GHz (3rd harmonic) . . . . .                          | _____ dBc             | -50 dBc            |
| 2.0 GHz (4th harmonic) . . . . .                          | _____ dBc             | -50 dBc            |
| 2.5 GHz (5th harmonic) . . . . .                          | _____ dBc             | -50 dBc            |
| Set F1 to 800 MHz   |                       |                    |
| Record the level of all harmonics of the 800 MHz carrier: |                       |                    |
| 1.6 GHz (2nd harmonic) . . . . .                          | _____ dBc             | -50 dBc            |
| 2.4 GHz (3rd harmonic) . . . . .                          | _____ dBc             | -50 dBc            |
| 3.2 GHz (4th harmonic) . . . . .                          | _____ dBc             | -50 dBc            |
| 4.0 GHz (5th harmonic) . . . . .                          | _____ dBc             | -50 dBc            |
| Set F1 to 1.3 GHz   |                       |                    |
| Record the level of all harmonics of the 1.3 GHz carrier: |                       |                    |
| 2.6 GHz (2nd harmonic) . . . . .                          | _____ dBc             | -50 dBc            |
| 3.9 GHz (3rd harmonic) . . . . .                          | _____ dBc             | -50 dBc            |
| 5.2 GHz (4th harmonic) . . . . .                          | _____ dBc             | -50 dBc            |
| 6.5 GHz (5th harmonic) . . . . .                          | _____ dBc             | -50 dBc            |
| Set F1 to 2.1 GHz   |                       |                    |
| Record the level of all harmonics of the 2.1 GHz carrier: |                       |                    |
| 4.2 GHz (2nd harmonic) . . . . .                          | _____ dBc             | -50 dBc            |
| 6.3 GHz (3rd harmonic) . . . . .                          | _____ dBc             | -50 dBc            |
| 8.2 GHz (4th harmonic) . . . . .                          | _____ dBc             | -50 dBc            |
| 10.2 GHz (5th harmonic) . . . . .                         | _____ dBc             | -50 dBc            |



**3-9 Harmonic Test: RF Output Signals From 2.2 to 20 GHz**

**Test Procedure (2.2 to 10 GHz)**

Set F1 to 2.4 GHz

Record the level of all harmonics of the 2.4 GHz carrier:

|                                  | Measure Value | Upper Limit |
|----------------------------------|---------------|-------------|
| 4.8 GHz (2nd harmonic) . . . . . | _____dBc      | -50 dBc     |
| 7.2 GHz (3rd harmonic). . . . .  | _____dBc      | -50 dBc     |
| 9.6 GHz (4th harmonic). . . . .  | _____dBc      | -50 dBc     |
| 12.0 GHz (5th harmonic). . . . . | _____dBc      | -50 dBc     |
| 14.4 GHz (6th harmonic). . . . . | _____dBc      | -50 dBc     |
| 16.8 GHz (7th harmonic). . . . . | _____dBc      | -50 dBc     |
| 19.2 GHz (8th harmonic). . . . . | _____dBc      | -50 dBc     |

Set F1 to 3.6 GHz

Record the level of all harmonics of the 3.6 GHz carrier:

|                                   |          |         |
|-----------------------------------|----------|---------|
| 7.2 GHz (2nd harmonic) . . . . .  | _____dBc | -50 dBc |
| 10.8 GHz (3rd harmonic). . . . .  | _____dBc | -50 dBc |
| 14.4 GHz (4th harmonic). . . . .  | _____dBc | -50 dBc |
| 18.0 GHz (5th harmonic) . . . . . | _____dBc | -50 dBc |

Set F1 to 7.0 GHz

Record the level of all harmonics of the 7 GHz carrier:

|                                   |          |         |
|-----------------------------------|----------|---------|
| 14.0 GHz (2nd harmonic) . . . . . | _____dBc | -50 dBc |
|-----------------------------------|----------|---------|

Set F1 to 10.0 GHz

Record the level of all harmonics of the 10 GHz carrier:

|                                   |          |         |
|-----------------------------------|----------|---------|
| 20.0 GHz (2nd harmonic) . . . . . | _____dBc | -50 dBc |
|-----------------------------------|----------|---------|

**Test Procedure (11 to 20 GHz)**

Set F1 to 12.4 GHz

Record the level of all harmonics of the 12.4 GHz carrier:

|                                   |          |         |
|-----------------------------------|----------|---------|
| 24.8 GHz (2nd harmonic) . . . . . | _____dBc | -50 dBc |
| 37.2 GHz (3rd harmonic). . . . .  | _____dBc | -50 dBc |

Set F1 to 16.0 GHz

Record the level of all harmonics of the 16.0 GHz carrier:

|                                   |          |         |
|-----------------------------------|----------|---------|
| 32.0 GHz (2nd harmonic) . . . . . | _____dBc | -50 dBc |
|-----------------------------------|----------|---------|

Set F1 to 20.0 GHz

Record the level of all harmonics of the 20.0 GHz carrier:

|                                   |          |         |
|-----------------------------------|----------|---------|
| 40.0 GHz (2nd harmonic) . . . . . | _____dBc | -50 dBc |
|-----------------------------------|----------|---------|

**3-10 Single Sideband Phase Noise Test**

| <i>Test Procedure</i>                           | <b>Measured Value</b> | <b>Upper Limit</b> |
|---|-----------------------|--------------------|
| Set F1 to 0.6 GHz                               |                       |                    |
| Record the phase noise levels at these offsets: |                       |                    |
| 100 Hz . . . . .                                | _____dBc              | -84 dBc            |
| 1 kHz . . . . .                                 | _____dBc              | -97 dBc            |
| 10 kHz . . . . .                                | _____dBc              | -95 dBc            |
| 100 kHz . . . . .                               | _____dBc              | -112 dBc           |
| Set F1 to 2.0 GHz                               |                       |                    |
| Record the phase noise levels at these offsets: |                       |                    |
| 100 Hz . . . . .                                | _____dBc              | -78 dBc            |
| 1 kHz . . . . .                                 | _____dBc              | -91 dBc            |
| 10 kHz . . . . .                                | _____dBc              | -89 dBc            |
| 100 kHz . . . . .                               | _____dBc              | -106 dBc           |
| Set F1 to 6.0 GHz                               |                       |                    |
| Record the phase noise levels at these offsets: |                       |                    |
| 100 Hz . . . . .                                | _____dBc              | -75 dBc            |
| 1 kHz . . . . .                                 | _____dBc              | -85 dBc            |
| 10 kHz . . . . .                                | _____dBc              | -83 dBc            |
| 100 kHz . . . . .                               | _____dBc              | -99 dBc            |
| Set F1 to 10.0 GHz                              |                       |                    |
| Record the phase noise levels at these offsets: |                       |                    |
| 100 Hz . . . . .                                | _____dBc              | -70 dBc            |
| 1 kHz . . . . .                                 | _____dBc              | -83 dBc            |
| 10 kHz . . . . .                                | _____dBc              | -80 dBc            |
| 100 kHz . . . . .                               | _____dBc              | -99 dBc            |
| Set F1 to 20.0 GHz                              |                       |                    |
| Record the phase noise levels at these offsets: |                       |                    |
| 100 Hz . . . . .                                | _____dBc              | -63 dBc            |
| 1 kHz . . . . .                                 | _____dBc              | -75 dBc            |
| 10 kHz . . . . .                                | _____dBc              | -75 dBc            |
| 100 kHz . . . . .                               | _____dBc              | -97 dBc            |

**3-10 Single Sideband Phase Noise Test (Continued)**

| <i>Test Procedure</i>                           | <b>Measured Value</b> | <b>Upper Limit</b> |
|---|-----------------------|--------------------|
| Set F1 to 26.5 GHz                              |                       |                    |
| Record the phase noise levels at these offsets: |                       |                    |
| 100 Hz . . . . .                                | _____dBc              | -60 dBc            |
| 1 kHz . . . . .                                 | _____dBc              | -75 dBc            |
| 10 kHz . . . . .                                | _____dBc              | -73 dBc            |
| 100 kHz . . . . .                               | _____dBc              | -93 dBc            |

**3-11 Power Level Accuracy and Flatness Tests  
(Model 68285B/68385B without Option 2D Step Attenuator)**

**Power Level Accuracy Test Procedure**

| Set F1 to 5.0 GHz |                  | Set F1 to 25.0 GHz |                  | Set F1 to 55.0 GHz |                  |
|-------------------|------------------|--------------------|------------------|--------------------|------------------|
| Set L1 to:        | Measured Power * | Set L1 to:         | Measured Power * | Set L1 to:         | Measured Power * |
| +10 dBm           | _____dBm         | + 2.5 dBm          | _____dBm         | + 2 dBm            | _____dBm         |
| + 9 dBm           | _____dBm         | + 1.5 dBm          | _____dBm         | + 1 dBm            | _____dBm         |
| + 8 dBm           | _____dBm         | + 0.5 dBm          | _____dBm         | + 0 dBm            | _____dBm         |
| + 7 dBm           | _____dBm         | - 0.5 dBm          | _____dBm         | - 1 dBm            | _____dBm         |
| + 6 dBm           | _____dBm         | - 1.5 dBm          | _____dBm         | - 2 dBm            | _____dBm         |
| + 5 dBm           | _____dBm         | - 2.5 dBm          | _____dBm         | - 3 dBm            | _____dBm         |
| + 4 dBm           | _____dBm         | - 3.5 dBm          | _____dBm         | - 4 dBm            | _____dBm         |
| + 3 dBm           | _____dBm         | - 4.5 dBm          | _____dBm         | - 5 dBm            | _____dBm         |
| + 2 dBm           | _____dBm         | - 5.5 dBm          | _____dBm         | - 6 dBm            | _____dBm         |
| + 1 dBm           | _____dBm         | - 6.5 dBm          | _____dBm         | - 7 dBm            | _____dBm         |
| 0 dBm             | _____dBm         | - 7.5 dBm          | _____dBm         | - 8 dBm            | _____dBm         |
| - 1 dBm           | _____dBm         | - 8.5 dBm          | _____dBm         | - 9 dBm            | _____dBm         |
| - 2 dBm           | _____dBm         | - 9.5 dBm          | _____dBm         | - 10 dBm           | _____dBm         |

\* Specification is ±1.0 dB.

\* Specification is ±1.0 dB.

\* Specification is ±1.5 dB.

**Power Level Flatness Test Procedure (Step Sweep)**

| Set L1 to: | Max Power | Min Power | Variation ** |
|------------|-----------|-----------|--------------|
| + 2 dBm    | _____dBm  | _____dBm  | _____dB      |

\*\* Maximum variation is 1.6 dB (0.5 to 40 GHz); 2.2 dB (40 to 60 GHz).

**Power Level Flatness Test Procedure (Analog Sweep) (Model 68385B only)**

| Set L1 to: | Max Power | Min Power | Variation *** |
|------------|-----------|-----------|---------------|
| + 2 dBm    | _____dBm  | _____dBm  | _____dB       |

\*\*\* Maximum variation is 2.0 dB (0.5 to 20 GHz); 4.0 dB (20 to 40 GHz); 5.0 dB (40 to 60 GHz)(typical, not a specification).

**3-11 Power Level Accuracy and Flatness Tests (Continued)  
(Model 68285B/68385B with Option 2D Step Attenuator)**

**Power Level Accuracy Test Procedure**

| Set F1 to 5.0 GHz |                  | Set F1 to 25.0 GHz |                  | Set F1 to 55.0 GHz |                  |
|-------------------|------------------|--------------------|------------------|--------------------|------------------|
| Set L1 to:        | Measured Power * | Set L1 to:         | Measured Power * | Set L1 to:         | Measured Power * |
| + 8.5 dBm         | _____dBm         | + 0 dBm            | _____dBm         | - 2 dBm            | _____dBm         |
| + 7.5 dBm         | _____dBm         | - 1 dBm            | _____dBm         | - 3 dBm            | _____dBm         |
| + 6.5 dBm         | _____dBm         | - 2 dBm            | _____dBm         | - 4 dBm            | _____dBm         |
| + 5.5 dBm         | _____dBm         | - 3 dBm            | _____dBm         | - 5 dBm            | _____dBm         |
| + 4.5 dBm         | _____dBm         | - 4 dBm            | _____dBm         | - 6 dBm            | _____dBm         |
| + 3.5 dBm         | _____dBm         | - 5 dBm            | _____dBm         | - 7 dBm            | _____dBm         |
| + 2.5 dBm         | _____dBm         | - 6 dBm            | _____dBm         | - 8 dBm            | _____dBm         |
| + 1.5 dBm         | _____dBm         | - 7 dBm            | _____dBm         | - 9 dBm            | _____dBm         |
| + 0.5 dBm         | _____dBm         | - 8 dBm            | _____dBm         | -10 dBm            | _____dBm         |
| - 0.5 dBm         | _____dBm         | - 9 dBm            | _____dBm         | -11 dBm            | _____dBm         |
| - 1.5 dBm         | _____dBm         | -10 dBm            | _____dBm         | -12 dBm            | _____dBm         |
| - 2.5 dBm         | _____dBm         | - 11 dBm           | _____dBm         | -13 dBm            | _____dBm         |
| - 3.5 dBm         | _____dBm         | - 12 dBm           | _____dBm         | -14 dBm            | _____dBm         |

\* Specification is  $\pm 1.0$  dB.

\* Specification is  $\pm 1.0$  dB.

\* Specification is  $\pm 1.5$  dB.

**Power Level Flatness Test Procedure (Step Sweep)**

| Set L1 to: | Max Power | Min Power | Variation ** |
|------------|-----------|-----------|--------------|
| - 2 dBm    | _____dBm  | _____dBm  | _____dB      |

\*\* Maximum variation is 1.6 dB (0.5 to 40 GHz); 2.2 dB (40 to 60 GHz).

**Power Level Flatness Test Procedure (Analog Sweep) (Model 68385B only)**

| Set L1 to: | Max Power | Min Power | Variation *** |
|------------|-----------|-----------|---------------|
| - 2 dBm    | _____dBm  | _____dBm  | _____dB       |

\*\*\* Maximum variation is 6.0 dB (0.05 to 20 GHz); 8.2 dB (20 to 40 GHz); 10.2 dB (40 to 60 GHz)(typical, not a specification).

**3-12 Amplitude Modulation Test**

| <b>AM Input Sensitivity Procedure</b>                                 | <b>Lower Limit</b> | <b>Measured Value</b> | <b>Upper Limit</b> |
|---|--------------------|-----------------------|--------------------|
| Set F1 to 5.0 GHz   |                    |                       |                    |
| Measure and record the Modulation Analyzer AM PK(+) reading . . . . . |                    | _____                 |                    |
| Measure and record the Modulation Analyzer AM PK(-) reading . . . . . |                    | _____                 |                    |
| Calculate and record the actual AM input sensitivity . . . . .        | 45%                | _____ %               | 55%                |

**3-13 Frequency Modulation Tests**

| <b>FM Input Sensitivity Procedure<br/>(Unlocked Wide FM Mode)</b>          | <b>Lower Limit</b> | <b>Measured Value</b> | <b>Upper Limit</b> |
|--|--------------------|-----------------------|--------------------|
| Set F1 to 5.0 GHz  |                    |                       |                    |
| Measure and record the low carrier frequency . . . . .                     |                    | _____ MHz             |                    |
| Measure and record the high carrier frequency . . . . .                    |                    | _____ MHz             |                    |
| Calculate and record the actual peak-to-peak frequency deviation . . . . . | 190 MHz            | _____ MHz             | 210 MHz            |

| <b>FM Input Sensitivity Procedure<br/>(Unlocked Narrow FM Mode)</b>        | <b>Lower Limit</b> | <b>Measured Value</b> | <b>Upper Limit</b> |
|--|--------------------|-----------------------|--------------------|
| Set F1 to 5.0 GHz  |                    |                       |                    |
| Record the FM deviation frequency displayed on the 68285B/68385B . . . . . |                    | _____ MHz             |                    |
| Calculate and record the FM accuracy . . . . .                             | 93.7%              | _____ %               | 106.3%             |

| <b>FM Input Sensitivity Procedure<br/>(Locked FM Mode)</b>                 | <b>Lower Limit</b> | <b>Measured Value</b> | <b>Upper Limit</b> |
|--|--------------------|-----------------------|--------------------|
| Set F1 to 5.0 GHz  |                    |                       |                    |
| Record the FM deviation frequency displayed on the 68285B/68385B . . . . . |                    | _____ MHz             |                    |
| Calculate and record the FM accuracy . . . . .                             | 93.7%              | _____ %               | 106.3%             |

**3-13 Frequency Modulation Tests (Continued)**

***FM Input Sensitivity Procedure  
(Locked Low-Noise FM Mode)***

|  | Lower Limit | Measured Value | Upper Limit |
|--|-------------|----------------|-------------|
| Set F1 to 5.0 GHz  |             |                |             |
| Record the FM deviation frequency displayed on the 68285B/68385B . . . . . |             | _____ MHz      |             |
| Calculate and record the FM accuracy . . . . .                             | 93.7%       | _____ %        | 106.3%      |

**3-14 Pulse Modulation Tests: Rise Time, Fall Time, Overshoot, and Level**

***Rise Time, Fall Time, and Overshoot***

|                                   | Lower Limit | Measured Value | Upper Limit |
|-----------------------------------|-------------|----------------|-------------|
| Set F1 to 5.0 GHz                 |             |                |             |
| Measure and record the following: |             |                |             |
| Rise Time . . . . .               | N/A         | _____ ns       | 10 ns       |
| Pulse Width . . . . .             | -10 ns      | _____ $\mu$ s  | +10 ns      |
| PRI (period) . . . . .            | -10 ns      | _____ ms       | +10 ns      |
| Overshoot . . . . .               | N/A         | _____ %        | 10%         |

***Pulse Level Accuracy (1 GHz, Pulse Width = 1.0  $\mu$ s)***

|   |         |           |         |
|---|---------|-----------|---------|
| Set F1 to 1.0 GHz   |         |           |         |
| Set pulse width W1 to 1.0 $\mu$ s                         |         |           |         |
| Record the displayed output level L1 (step 5.b) . . . . . |         | _____ dBm |         |
| Record the displayed output level L1 (step 5.d) . . . . . |         | _____ dBm |         |
| Calculate and record the pulse level error. . . . .       | -1.0 dB | _____ dB  | +1.0 dB |

***Pulse Level Accuracy (1 GHz, Pulse Width = 5.0  $\mu$ s)***

|   |         |           |         |
|---|---------|-----------|---------|
| Set F1 to 1.0 GHz   |         |           |         |
| Set pulse width W1 to 5.0 $\mu$ s                         |         |           |         |
| Record the displayed output level L1 (step 5.b) . . . . . |         | _____ dBm |         |
| Record the displayed output level L1 (step 5.d) . . . . . |         | _____ dBm |         |
| Calculate and record the pulse level error. . . . .       | -0.5 dB | _____ dB  | +0.5 dB |

**3-14 Pulse Modulation Tests: Rise Time, Fall Time, Overshoot, and Level (Continued)**

| <i>Pulse Level Accuracy (5 GHz, Pulse Width = 0.5 <math>\mu</math>s)</i> | Lower Limit | Measured Value | Upper Limit |
|--|-------------|----------------|-------------|
| Set F1 to 5.0 GHz<br>Set pulse width W1 to 5.0 $\mu$ s                   |             |                |             |
| Record the displayed output level L1 (step 5.b) . . . . .                |             | _____ dBm      |             |
| Record the displayed output level L1 (step 5.d) . . . . .                |             | _____ dBm      |             |
| Calculate and record the pulse level error. . . . .                      | -1.0 dB     | _____ dB       | +1.0 dB     |

**Pulse Level Accuracy (5 GHz, Pulse Width = 5.0  $\mu$ s)**

|   |         |           |         |
|---|---------|-----------|---------|
| Set F1 to 5.0 GHz<br>Set pulse width W1 to 5.0 $\mu$ s    |         |           |         |
| Record the displayed output level L1 (step 5.b) . . . . . |         | _____ dBm |         |
| Record the displayed output level L1 (step 5.d) . . . . . |         | _____ dBm |         |
| Calculate and record the pulse level error. . . . .       | -0.5 dB | _____ dB  | +0.5 dB |

**3-15 Pulse Modulation Test: Video Feedthrough**

| <i>Test Procedure</i>   | Lower Limit | Measured Value | Upper Limit |
|---|-------------|----------------|-------------|
| Set F1 to 5.0 GHz<br>Set pulse width W1 to 5.0 $\mu$ s<br>Set PRI (period) to 0.01 ms |             |                |             |
| Measure and record the Video Feedthrough voltage spikes . . . . .                     | -10 mV      | _____ mV       | +10 mV      |



**3-16 Pulse Modulation Test: RF On/Off Ratio**

**Test Procedure (1 GHz)**

Set F1 to 1.10 GHz

Measure and record the peak of the signal on the Spectrum Analyzer. (Measured signal must be >60 dB below top graticule to meet specification; this represents an On/Off Ratio of >80 dB.) .

**Lower Limit      Measured Value      Upper Limit**

60 dB                  \_\_\_\_\_ dB                  N/A

**Test Procedure (5 GHz)**

Set F1 to 5.0 GHz

Measure and record the peak of the signal on the Spectrum Analyzer. (Measured signal must be >60 dB below top graticule to meet specification; this represents an On/Off Ratio of >80 dB.) .

60 dB                  \_\_\_\_\_ dB                  N/A

**3-17 Phase Modulation Tests**

**$\Phi$ M Input Sensitivity Procedure  
(Wide  $\Phi$ M Mode)**

Set F1 to 5.0 GHz

Record the  $\Phi$ M deviation displayed on the 68285B/68385B . . . . .

\_\_\_\_\_ rad

Calculate and record the  $\Phi$ M accuracy . . . . .

93.7%                  \_\_\_\_\_ %                  106.3%

**Lower Limit      Measured Value      Upper Limit**

**$\Phi$ M Input Sensitivity Procedure  
(Narrow  $\Phi$ M Mode)**

Set F1 to 5.0 GHz

Record the  $\Phi$ M deviation displayed on the 68285B/68385B . . . . .

\_\_\_\_\_ rad

Calculate and record the  $\Phi$ M accuracy . . . . .

93.7%                  \_\_\_\_\_ %                  106.3%



ANRITSU Model 68285B/68385B

Date: \_\_\_\_\_

Serial Number \_\_\_\_\_

Calibrated By: \_\_\_\_\_

**4-7 Preliminary Calibration**

***Procedure Step***

**Step Completion**

- 1. Internal DVM Calibration (calterm119) . . . . . \_\_\_\_\_
- 2. Coarse Loop Pretune DAC Calibration (calterm 137) . . . . . \_\_\_\_\_
- 3. Fine Loop Pretune DAC Calibration (calterm 136). . . . . \_\_\_\_\_
- 4. Sweep Time DAC Calibration (calterm 132) . . . . . \_\_\_\_\_
- 5. YIG Frequency Offset DAC Calibration (calterm 134) . . . . . \_\_\_\_\_
- 6. YIG Frequency Linearizer DACs Calibration (calterm 127) . . . . . \_\_\_\_\_
- 7. 100 MHz Reference Oscillator Calibration (calterm 130) . . . . . \_\_\_\_\_
- 8. Ramp Center DAC Calibration (calterm 129) . . . . . \_\_\_\_\_
- 9. Sweep Width DAC Calibration (calterm 133) . . . . . \_\_\_\_\_
- 10. Center Frequency DAC Calibration (calterm 114) . . . . . \_\_\_\_\_
- 11. Store the Calibration Data . . . . . \_\_\_\_\_

**4-8 Switched Filter Shaper Calibration**

***Log Amplifier Zero Calibration***

**Step Completion**

- 1. Log Amplifier Zero Calibration (calterm 115) . . . . . \_\_\_\_\_

***Limiter DAC Adjustment***

- 2. Limiter DAC Adjustment (calterm 145). . . . . \_\_\_\_\_

***Shaper DAC Adjustment***

- 2. Shaper DAC Adjustment (calterm 138) . . . . . \_\_\_\_\_
- 3. Store the Calibration Data . . . . . \_\_\_\_\_

**4-9 RF Level Calibration**

This calibration is performed using an automatic test system. Contact ANRITSU Customer Service for further information.

**4-10 ALC Slope Calibration (68385B having Firmware Version 1.00 and above)**

| <b>Procedure Step</b>                      | <b>Step Completion</b> |
|--|------------------------|
| 5. ALC Slope DAC adjustment . . . . .      | _____                  |
| 6. Store the DAC setting value(s). . . . . | _____                  |

**4-11 ALC Bandwidth Calibration**

| <b>Procedure Step</b>                                | <b>Step Completion</b> |
|--|------------------------|
| 1. ALC Bandwidth Calibration (Calterm 110) . . . . . | _____                  |
| 2. Store the Calibration Data . . . . .              | _____                  |

**4-12 AM Calibration**

| <b>Procedure Step</b>  | <b>Step Completion</b> |
|--|------------------------|
| 2. Linear AM Calibration (calterm 112) . . . . .             | _____                  |
| 3. Log AM Calibration (calterm 113) . . . . .                | _____                  |
| 4. AM Meter Calibration (calterm 147) . . . . .              | _____                  |
| 5. AM Function Generator Calibration (calterm 146) . . . . . | _____                  |
| 6. Store the Calibration Data . . . . .                      | _____                  |

**4-13 FM Calibration (68285B/68385B with Firmware Version 1.00)**

| <b>Procedure Step</b>   | <b>Step Completion</b> |
|---|------------------------|
| 1. FM Meter Calibration (calterm 123) . . . . .                       | _____                  |
| 2. FM Offset Balance Calibration (calterm 126) . . . . .              | _____                  |
| 3. External FM Wide Sensitivity Calibration (calterm 124) . . . . .   | _____                  |
| 4. External FM Narrow Sensitivity Calibration (calterm 125) . . . . . | _____                  |
| 5. Internal FM Wide Sensitivity Calibration (calterm 143) . . . . .   | _____                  |
| 6. Internal FM Narrow Sensitivity Calibration (calterm 144) . . . . . | _____                  |
| 7. Store the Calibration Data . . . . .                               | _____                  |

**4-13 FM Calibration (68285B/68385B with Firmware Version 1.07 and above)**

| <b>Procedure Step</b>   | <b>Step Completion</b> |
|---|------------------------|
| 1. FM Meter Calibration (calterm 123) . . . . .   | _____                  |
| 2. FM Variable Gain Linearity Calibration (calterm 148) . . . . .   | _____                  |
| 3. External Unlocked Wide FM Mode Sensitivity Calibration (calterm 124) . . . . .                                 | _____                  |
| 4. Internal Unlocked Wide FM Mode Sensitivity Calibration (calterm 143) . . . . .                                 | _____                  |
| 5. External Locked, Locked Low-Noise, and Unlocked Narrow FM Mode Sensitivity Calibration (calterm 125) . . . . . | _____                  |
| 6. Internal Locked, Locked Low-Noise, and Unlocked Narrow FM Mode Sensitivity Calibration (calterm 144) . . . . . | _____                  |
| 7. FM Rear Panel Input Gain Calibration (calterm 154) . . . . .   | _____                  |
| 7. Store the Calibration Data . . . . .   | _____                  |

**4-14 Phase Modulation ( $\Phi$ M) Calibration (Option 6)**

| <b>Procedure Step</b>  | <b>Step Completion</b> |
|--|------------------------|
| 1. External Wide $\Phi$ M Mode Sensitivity Calibration (calterm 149) . . . . .   | _____                  |
| 2. Internal Wide $\Phi$ M Mode Sensitivity Calibration (calterm 151) . . . . .   | _____                  |
| 3. Wide $\Phi$ M Mode Flatness Calibration (calterm 155) . . . . .               | _____                  |
| 4. External Narrow $\Phi$ M Mode Sensitivity Calibration (calterm 150) . . . . . | _____                  |
| 5. Internal Narrow $\Phi$ M Mode Sensitivity Calibration (calterm 152) . . . . . | _____                  |
| 6. Narrow $\Phi$ M Mode Flatness Calibration (calterm 156) . . . . .             | _____                  |
| 7. Store the Calibration Data . . . . .  | _____                  |

ANRITSU Model 68287B/68387B

Date: \_\_\_\_\_

Serial Number \_\_\_\_\_

Tested By: \_\_\_\_\_

|   |
|---|
| <b>3-6 Internal Time Base Aging Rate Test</b> |
|---|

| <i>Test Procedure</i>                                   | <b>Measured Value</b> | <b>Upper Limit</b>   |
|---|-----------------------|--|
| Record frequency error value . . . . .                  | _____                 |  |
| Record frequency error value (after 24 hours) . . . . . | _____                 |  |
| Record the computed aging rate . . . . .                | _____ per day         | $2 \times 10^{-8}$ per day<br>( $5 \times 10^{-10}$ per day<br>with Option 16) |

**3-7 Frequency Synthesis Tests**

**Coarse Loop/YIG Loop Test Procedure**

| Test Frequency (in GHz) | Measured Value * | Test Frequency (in GHz) | Measured Value * |
|-------------------------|------------------|-------------------------|------------------|
| 1.000 000 000           | _____            | 26.000 000 000          | _____            |
| 2.000 000 000           | _____            | 27.000 000 000          | _____            |
| 3.000 000 000           | _____            | 28.000 000 000          | _____            |
| 4.000 000 000           | _____            | 29.000 000 000          | _____            |
| 5.000 000 000           | _____            | 30.000 000 000          | _____            |
| 6.000 000 000           | _____            | 31.000 000 000          | _____            |
| 7.000 000 000           | _____            | 32.000 000 000          | _____            |
| 8.000 000 000           | _____            | 33.000 000 000          | _____            |
| 9.000 000 000           | _____            | 34.000 000 000          | _____            |
| 10.000 000 000          | _____            | 35.000 000 000          | _____            |
| 11.000 000 000          | _____            | 36.000 000 000          | _____            |
| 12.000 000 000          | _____            | 37.000 000 000          | _____            |
| 13.000 000 000          | _____            | 38.000 000 000          | _____            |
| 14.000 000 000          | _____            | 39.000 000 000          | _____            |
| 15.000 000 000          | _____            | 40.000 000 000          | _____            |
| 16.000 000 000          | _____            | 41.000 000 000          | _____            |
| 17.000 000 000          | _____            | 42.000 000 000          | _____            |
| 18.000 000 000          | _____            | 43.000 000 000          | _____            |
| 19.000 000 000          | _____            | 44.000 000 000          | _____            |
| 20.000 000 000          | _____            | 45.000 000 000          | _____            |
| 21.000 000 000          | _____            | 46.000 000 000          | _____            |
| 22.000 000 000          | _____            | 47.000 000 000          | _____            |
| 23.000 000 000          | _____            | 48.000 000 000          | _____            |
| 24.000 000 000          | _____            | 49.000 000 000          | _____            |
| 25.000 000 000          | _____            | 50.000 000 000          | _____            |



**3-7 Frequency Synthesis Tests (Continued)**

**Coarse Loop/YIG Loop Test Procedure (Continued)**

| Test Frequency (in GHz) | Measured Value * | Test Frequency (in GHz) | Measured Value * |
|-------------------------|------------------|-------------------------|------------------|
| 51.000 000 000          | _____            | 56.000 000 000          | _____            |
| 52.000 000 000          | _____            | 57.000 000 000          | _____            |
| 53.000 000 000          | _____            | 58.000 000 000          | _____            |
| 54.000 000 000          | _____            | 59.000 000 000          | _____            |
| 55.000 000 000          | _____            | 60.000 000 000          | _____            |

\* Specification for all frequencies listed above is  $\pm 100$  Hz.

**Fine Loop Test Procedure (Standard 68X87B)**

| Test Frequency (in Ghz) | Measured Value ** |
|-------------------------|-------------------|
| 1.000 001 000           | _____             |
| 1.000 002 000           | _____             |
| 1.000 003 000           | _____             |
| 1.000 004 000           | _____             |
| 1.000 005 000           | _____             |
| 1.000 006 000           | _____             |
| 1.000 007 000           | _____             |
| 1.000 008 000           | _____             |
| 1.000 009 000           | _____             |
| 1.000 010 000           | _____             |

\*\* Specifications for all frequencies listed above is  $\pm 100$  Hz.

**Fine Loop Test Procedure (68X87B with Option 11)**

| Test Frequency (in Ghz) | Measured Value *** |
|-------------------------|--------------------|
| 1.000 000 100           | _____              |
| 1.000 000 200           | _____              |
| 1.000 000 300           | _____              |
| 1.000 000 400           | _____              |
| 1.000 000 500           | _____              |
| 1.000 000 600           | _____              |
| 1.000 000 700           | _____              |
| 1.000 000 800           | _____              |
| 1.000 000 900           | _____              |
| 1.000 001 000           | _____              |

\*\*\* Specification for all frequencies listed above is  $\pm 10$  Hz.

**3-8 Spurious Signals Test: RF Output Signals <2 GHz**

| <b>Test Procedure</b>  | <b>Measured Value</b> | <b>Upper Limit</b> |
|--|-----------------------|--------------------|
| Set F1 to 10 MHz   |                       |                    |
| Record the presence of the worst case harmonic . . . . .     | _____dBc              | -30 dBc            |
| Record the presence of the worst case non-harmonic . . . . . | _____dBc              | -40 dBc            |
| Set F1 to 20 MHz   |                       |                    |
| Record the presence of the worst case harmonic . . . . .     | _____dBc              | -30 dBc            |
| Record the presence of the worst case non-harmonic . . . . . | _____dBc              | -40 dBc            |
| Set F1 to 30 MHz   |                       |                    |
| Record the presence of the worst case harmonic . . . . .     | _____dBc              | -30 dBc            |
| Record the presence of the worst case non-harmonic . . . . . | _____dBc              | -40 dBc            |
| Set F1 to 40 MHz   |                       |                    |
| Record the presence of the worst case harmonic . . . . .     | _____dBc              | -30 dBc            |
| Record the presence of the worst case non-harmonic . . . . . | _____dBc              | -40 dBc            |
| Set F1 to 350 MHz  |                       |                    |
| Record the presence of the worst case harmonic . . . . .     | _____dBc              | -40 dBc            |
| Record the presence of the worst case non-harmonic . . . . . | _____dBc              | -40 dBc            |
| Set F1 to 1.6 GHz  |                       |                    |
| Record the presence of the worst case non-harmonic . . . . . | _____dBc              | -40 dBc            |
| Set F1 to 1.6 GHz  |                       |                    |
| Record the level of the harmonics of the 1.6 GHz carrier:    |                       |                    |
| 3.2 GHz (2nd harmonic) . . . . .                             | _____dBc              | -40 dBc            |
| 4.8 GHz (3rd harmonic) . . . . .                             | _____dBc              | -40 dBc            |

**3-9 Harmonic Test: RF Output Signals From 2 to 20 GHz**

**Test Procedure (2 to 10 GHz)**

|   | Measure Value | Upper Limit |
|---|---------------|-------------|
| Set F1 to 2.1 GHz   |               |             |
| Record the level of all harmonics of the 2.1 GHz carrier: |               |             |
| 4.2 GHz (2nd harmonic) . . . . .                          | _____dBc      | -50 dBc     |
| 6.3 GHz (3rd harmonic). . . . .                           | _____dBc      | -50 dBc     |
| 8.4 GHz (4th harmonic). . . . .                           | _____dBc      | -50 dBc     |
| 10.5 GHz (5th harmonic). . . . .                          | _____dBc      | -50 dBc     |
| 12.6 GHz (6th harmonic). . . . .                          | _____dBc      | -50 dBc     |
| 14.7 GHz (7th harmonic). . . . .                          | _____dBc      | -50 dBc     |
| 16.8 GHz (8th harmonic). . . . .                          | _____dBc      | -50 dBc     |
| 18.9 GHz (9th harmonic). . . . .                          | _____dBc      | -50 dBc     |
| Set F1 to 3.6 GHz   |               |             |
| Record the level of all harmonics of the 3.6 GHz carrier: |               |             |
| 7.2 GHz (2nd harmonic) . . . . .                          | _____dBc      | -50 dBc     |
| 10.8 GHz (3rd harmonic). . . . .                          | _____dBc      | -50 dBc     |
| 14.4 GHz (4th harmonic). . . . .                          | _____dBc      | -50 dBc     |
| 18.0 GHz (5th harmonic) . . . . .                         | _____dBc      | -50 dBc     |
| Set F1 to 7.0 GHz   |               |             |
| Record the level of all harmonics of the 7 GHz carrier:   |               |             |
| 14.0 GHz (2nd harmonic) . . . . .                         | _____dBc      | -50 dBc     |
| Set F1 to 10.0 GHz  |               |             |
| Record the level of all harmonics of the 10 GHz carrier:  |               |             |
| 20.0 GHz (2nd harmonic) . . . . .                         | _____dBc      | -50 dBc     |

**Test Procedure (11 to 20 GHz)**

|  |          |         |
|--|----------|---------|
| Set F1 to 12.4 GHz   |          |         |
| Record the level of all harmonics of the 12.4 GHz carrier: |          |         |
| 24.8 GHz (2nd harmonic) . . . . .                          | _____dBc | -50 dBc |
| 37.2 GHz (3rd harmonic). . . . .                           | _____dBc | -50 dBc |
| Set F1 to 16.0 GHz   |          |         |
| Record the level of all harmonics of the 16.0 GHz carrier: |          |         |
| 32.0 GHz (2nd harmonic) . . . . .                          | _____dBc | -50 dBc |
| Set F1 to 20.0 GHz   |          |         |
| Record the level of all harmonics of the 20.0 GHz carrier: |          |         |
| 40.0 GHz (2nd harmonic) . . . . .                          | _____dBc | -50 dBc |

**3-10 Single Sideband Phase Noise Test**

| <i>Test Procedure</i>                           | <b>Measured Value</b> | <b>Upper Limit</b> |
|---|-----------------------|--------------------|
| Set F1 to 0.6 GHz                               |                       |                    |
| Record the phase noise levels at these offsets: |                       |                    |
| 100 Hz . . . . .                                | _____dBc              | -74 dBc            |
| 1 kHz . . . . .                                 | _____dBc              | -85 dBc            |
| 10 kHz . . . . .                                | _____dBc              | -82 dBc            |
| 100 kHz . . . . .                               | _____dBc              | -97 dBc            |
| Set F1 to 2.0 GHz                               |                       |                    |
| Record the phase noise levels at these offsets: |                       |                    |
| 100 Hz . . . . .                                | _____dBc              | -77 dBc            |
| 1 kHz . . . . .                                 | _____dBc              | -85 dBc            |
| 10 kHz . . . . .                                | _____dBc              | -83 dBc            |
| 100 kHz . . . . .                               | _____dBc              | -99 dBc            |
| Set F1 to 6.0 GHz                               |                       |                    |
| Record the phase noise levels at these offsets: |                       |                    |
| 100 Hz . . . . .                                | _____dBc              | -75 dBc            |
| 1 kHz . . . . .                                 | _____dBc              | -85 dBc            |
| 10 kHz . . . . .                                | _____dBc              | -83 dBc            |
| 100 kHz . . . . .                               | _____dBc              | -99 dBc            |
| Set F1 to 10.0 GHz                              |                       |                    |
| Record the phase noise levels at these offsets: |                       |                    |
| 100 Hz . . . . .                                | _____dBc              | -70 dBc            |
| 1 kHz . . . . .                                 | _____dBc              | -83 dBc            |
| 10 kHz . . . . .                                | _____dBc              | -80 dBc            |
| 100 kHz . . . . .                               | _____dBc              | -99 dBc            |
| Set F1 to 20.0 GHz                              |                       |                    |
| Record the phase noise levels at these offsets: |                       |                    |
| 100 Hz . . . . .                                | _____dBc              | -63 dBc            |
| 1 kHz . . . . .                                 | _____dBc              | -75 dBc            |
| 10 kHz . . . . .                                | _____dBc              | -75 dBc            |
| 100 kHz . . . . .                               | _____dBc              | -97 dBc            |

**3-10 Single Sideband Phase Noise Test (Continued)**

| <i>Test Procedure</i>                           | <b>Measured Value</b> | <b>Upper Limit</b> |
|---|-----------------------|--------------------|
| Set F1 to 26.5 GHz                              |                       |                    |
| Record the phase noise levels at these offsets: |                       |                    |
| 100 Hz . . . . .                                | _____dBc              | -60 dBc            |
| 1 kHz . . . . .                                 | _____dBc              | -75 dBc            |
| 10 kHz . . . . .                                | _____dBc              | -73 dBc            |
| 100 kHz . . . . .                               | _____dBc              | -93 dBc            |

**3-11 Power Level Accuracy and Flatness Tests  
(Model 68287B/68387B without Option 2D Step Attenuator)**

**Power Level Accuracy Test Procedure**

| Set F1 to 5.0 GHz |                  | Set F1 to 25.0 GHz |                  | Set F1 to 55.0 GHz |                  |
|-------------------|------------------|--------------------|------------------|--------------------|------------------|
| Set L1 to:        | Measured Power * | Set L1 to:         | Measured Power * | Set L1 to:         | Measured Power * |
| +10 dBm           | _____dBm         | + 2.5 dBm          | _____dBm         | + 2 dBm            | _____dBm         |
| + 9 dBm           | _____dBm         | + 1.5 dBm          | _____dBm         | + 1 dBm            | _____dBm         |
| + 8 dBm           | _____dBm         | + 0.5 dBm          | _____dBm         | + 0 dBm            | _____dBm         |
| + 7 dBm           | _____dBm         | - 0.5 dBm          | _____dBm         | - 1 dBm            | _____dBm         |
| + 6 dBm           | _____dBm         | - 1.5 dBm          | _____dBm         | - 2 dBm            | _____dBm         |
| + 5 dBm           | _____dBm         | - 2.5 dBm          | _____dBm         | - 3 dBm            | _____dBm         |
| + 4 dBm           | _____dBm         | - 3.5 dBm          | _____dBm         | - 4 dBm            | _____dBm         |
| + 3 dBm           | _____dBm         | - 4.5 dBm          | _____dBm         | - 5 dBm            | _____dBm         |
| + 2 dBm           | _____dBm         | - 5.5 dBm          | _____dBm         | - 6 dBm            | _____dBm         |
| + 1 dBm           | _____dBm         | - 6.5 dBm          | _____dBm         | - 7 dBm            | _____dBm         |
| 0 dBm             | _____dBm         | - 7.5 dBm          | _____dBm         | - 8 dBm            | _____dBm         |
| - 1 dBm           | _____dBm         | - 8.5 dBm          | _____dBm         | - 9 dBm            | _____dBm         |
| - 2 dBm           | _____dBm         | - 9.5 dBm          | _____dBm         | - 10 dBm           | _____dBm         |

\* Specification is  $\pm 1.0$  dB.

\* Specification is  $\pm 1.0$  dB.

\* Specification is  $\pm 1.5$  dB.

**Power Level Flatness Test Procedure (Step Sweep)**

| Set L1 to: | Max Power | Min Power | Variation ** |
|------------|-----------|-----------|--------------|
| + 2 dBm    | _____dBm  | _____dBm  | _____dB      |

\*\* Maximum variation is 4.0 dB (0.01 to 0.05 GHz); 1.6 dB (0.05 to 40 GHz); 2.2 dB (40 to 60 GHz).

**Power Level Flatness Test Procedure (Analog Sweep) (Model 68387B only)**

| Set L1 to: | Max Power | Min Power | Variation *** |
|------------|-----------|-----------|---------------|
| + 2 dBm    | _____dBm  | _____dBm  | _____dB       |

\*\*\* Maximum variation is 4.0 dB (0.01 to 0.05 GHz); 2.0 dB (0.05 to 20 GHz); 4.0 dB (20 to 40 GHz); 5.0 dB (40 to 60 GHz)(typical, not a specification).

**3-11 Power Level Accuracy and Flatness Tests (Continued)  
(Model 68287B/68387B with Option 2D Step Attenuator)**

**Power Level Accuracy Test Procedure**

| Set F1 to 5.0 GHz |                  | Set F1 to 25.0 GHz |                  | Set F1 to 55.0 GHz |                  |
|-------------------|------------------|--------------------|------------------|--------------------|------------------|
| Set L1 to:        | Measured Power * | Set L1 to:         | Measured Power * | Set L1 to:         | Measured Power * |
| + 8.5 dBm         | _____dBm         | + 0 dBm            | _____dBm         | - 2 dBm            | _____dBm         |
| + 7.5 dBm         | _____dBm         | - 1 dBm            | _____dBm         | - 3 dBm            | _____dBm         |
| + 6.5 dBm         | _____dBm         | - 2 dBm            | _____dBm         | - 4 dBm            | _____dBm         |
| + 5.5 dBm         | _____dBm         | - 3 dBm            | _____dBm         | - 5 dBm            | _____dBm         |
| + 4.5 dBm         | _____dBm         | - 4 dBm            | _____dBm         | - 6 dBm            | _____dBm         |
| + 3.5 dBm         | _____dBm         | - 5 dBm            | _____dBm         | - 7 dBm            | _____dBm         |
| + 2.5 dBm         | _____dBm         | - 6 dBm            | _____dBm         | - 8 dBm            | _____dBm         |
| + 1.5 dBm         | _____dBm         | - 7 dBm            | _____dBm         | - 9 dBm            | _____dBm         |
| + 0.5 dBm         | _____dBm         | - 8 dBm            | _____dBm         | -10 dBm            | _____dBm         |
| - 0.5 dBm         | _____dBm         | - 9 dBm            | _____dBm         | -11 dBm            | _____dBm         |
| - 1.5 dBm         | _____dBm         | -10 dBm            | _____dBm         | -12 dBm            | _____dBm         |
| - 2.5 dBm         | _____dBm         | - 11 dBm           | _____dBm         | -13 dBm            | _____dBm         |
| - 3.5 dBm         | _____dBm         | - 12 dBm           | _____dBm         | -14 dBm            | _____dBm         |

\* Specification is  $\pm 1.0$  dB.                     
 \* Specification is  $\pm 1.0$  dB.                     
 \* Specification is  $\pm 1.5$  dB.

**Power Level Flatness Test Procedure (Step Sweep)**

| Set L1 to: | Max Power | Min Power | Variation ** |
|------------|-----------|-----------|--------------|
| - 2 dBm    | _____dBm  | _____dBm  | _____dB      |

\*\* Maximum variation is 4.0 dB (0.01 to 0.05 GHz); 1.6 dB (0.05 to 40 GHz); 2.2 dB (40 to 60 GHz).

**Power Level Flatness Test Procedure (Analog Sweep) (Model 68387B only)**

| Set L1 to: | Max Power | Min Power | Variation *** |
|------------|-----------|-----------|---------------|
| - 2 dBm    | _____dBm  | _____dBm  | _____dB       |

\*\*\* Maximum variation is 7.0 dB (0.01 to 0.05 GHz); 6.0 dB (0.05 to 20 GHz); 8.2 dB (20 to 40 GHz); 10.2 dB (40 to 60 GHz)(typical, not a specification).

**3-12 Amplitude Modulation Test**

| <b>AM Input Sensitivity Procedure</b>                                 | <b>Lower Limit</b> | <b>Measured Value</b> | <b>Upper Limit</b> |
|---|--------------------|-----------------------|--------------------|
| Set F1 to 5.0 GHz   |                    |                       |                    |
| Measure and record the Modulation Analyzer AM PK(+) reading . . . . . |                    | _____                 |                    |
| Measure and record the Modulation Analyzer AM PK(-) reading . . . . . |                    | _____                 |                    |
| Calculate and record the actual AM input sensitivity . . . . .        | 45%                | _____ %               | 55%                |

**3-13 Frequency Modulation Tests**

| <b>FM Input Sensitivity Procedure<br/>(Unlocked Wide FM Mode)</b>  | <b>Lower Limit</b> | <b>Measured Value</b> | <b>Upper Limit</b> |
|--|--------------------|-----------------------|--------------------|
| Set F1 to 5.0 GHz  |                    |                       |                    |
| Measure and record the low carrier frequency . . . . .             |                    | _____ MHz             |                    |
| Measure and record the high carrier frequency . . . . .            |                    | _____ MHz             |                    |
| Calculate and record the actual peak-to-peak frequency deviation . | 190 MHz            | _____ MHz             | 210 MHz            |

| <b>FM Input Sensitivity Procedure<br/>(Unlocked Narrow FM Mode)</b>        | <b>Lower Limit</b> | <b>Measured Value</b> | <b>Upper Limit</b> |
|--|--------------------|-----------------------|--------------------|
| Set F1 to 5.0 GHz  |                    |                       |                    |
| Record the FM deviation frequency displayed on the 68287B/68387B . . . . . |                    | _____ MHz             |                    |
| Calculate and record the FM accuracy . . . . .                             | 93.7%              | _____ %               | 106.3%             |

| <b>FM Input Sensitivity Procedure<br/>(Locked FM Mode)</b>                 | <b>Lower Limit</b> | <b>Measured Value</b> | <b>Upper Limit</b> |
|--|--------------------|-----------------------|--------------------|
| Set F1 to 5.0 GHz  |                    |                       |                    |
| Record the FM deviation frequency displayed on the 68287B/68387B . . . . . |                    | _____ MHz             |                    |
| Calculate and record the FM accuracy . . . . .                             | 93.7%              | _____ %               | 106.3%             |



**3-13 Frequency Modulation Tests (Continued)**

**FM Input Sensitivity Procedure  
(Locked Low-Noise FM Mode)**

|  | Lower Limit | Measured Value | Upper Limit |
|--|-------------|----------------|-------------|
| Set F1 to 5.0 GHz  |             |                |             |
| Record the FM deviation frequency displayed on the 68287B/68387B . . . . . |             | _____ MHz      |             |
| Calculate and record the FM accuracy . . . . .                             | 93.7%       | _____ %        | 106.3%      |

**3-14 Pulse Modulation Tests: Rise Time, Fall Time, Overshoot, and Level**

**Rise Time, Fall Time, and Overshoot**

|                                   | Lower Limit | Measured Value | Upper Limit |
|-----------------------------------|-------------|----------------|-------------|
| Set F1 to 5.0 GHz                 |             |                |             |
| Measure and record the following: |             |                |             |
| Rise Time . . . . .               | N/A         | _____ ns       | 10 ns       |
| Pulse Width . . . . .             | -10 ns      | _____ $\mu$ s  | +10 ns      |
| PRI (period) . . . . .            | -10 ns      | _____ ms       | +10 ns      |
| Overshoot . . . . .               | N/A         | _____ %        | 10%         |

**Pulse Level Accuracy (1 GHz, Pulse Width = 1.0  $\mu$ s)**

|   |         |           |         |
|---|---------|-----------|---------|
| Set F1 to 1.0 GHz   |         |           |         |
| Set pulse width W1 to 1.0 $\mu$ s                         |         |           |         |
| Record the displayed output level L1 (step 5.b) . . . . . |         | _____ dBm |         |
| Record the displayed output level L1 (step 5.d) . . . . . |         | _____ dBm |         |
| Calculate and record the pulse level error. . . . .       | -1.0 dB | _____ dB  | +1.0 dB |

**Pulse Level Accuracy (1 GHz, Pulse Width = 5.0  $\mu$ s)**

|   |         |           |         |
|---|---------|-----------|---------|
| Set F1 to 1.0 GHz   |         |           |         |
| Set pulse width W1 to 5.0 $\mu$ s                         |         |           |         |
| Record the displayed output level L1 (step 5.b) . . . . . |         | _____ dBm |         |
| Record the displayed output level L1 (step 5.d) . . . . . |         | _____ dBm |         |
| Calculate and record the pulse level error. . . . .       | -0.5 dB | _____ dB  | +0.5 dB |

**3-14 Pulse Modulation Tests: Rise Time, Fall Time, Overshoot, and Level (Continued)**

| <i>Pulse Level Accuracy (5 GHz, Pulse Width = 0.5 μs)</i> | Lower Limit | Measured Value | Upper Limit |
|---|-------------|----------------|-------------|
| Set F1 to 5.0 GHz<br>Set pulse width W1 to 5.0 μs         |             |                |             |
| Record the displayed output level L1 (step 5.b) . . . . . |             | _____ dBm      |             |
| Record the displayed output level L1 (step 5.d) . . . . . |             | _____ dBm      |             |
| Calculate and record the pulse level error. . . . .       | -1.0 dB     | _____ dB       | +1.0 dB     |

**Pulse Level Accuracy (5 GHz, Pulse Width = 5.0 μs)**

|   |         |           |         |
|---|---------|-----------|---------|
| Set F1 to 5.0 GHz<br>Set pulse width W1 to 5.0 μs         |         |           |         |
| Record the displayed output level L1 (step 5.b) . . . . . |         | _____ dBm |         |
| Record the displayed output level L1 (step 5.d) . . . . . |         | _____ dBm |         |
| Calculate and record the pulse level error. . . . .       | -0.5 dB | _____ dB  | +0.5 dB |

**3-15 Pulse Modulation Test: Video Feedthrough**

| <i>Test Procedure</i>  | Lower Limit | Measured Value | Upper Limit |
|--|-------------|----------------|-------------|
| Set F1 to 5.0 GHz<br>Set pulse width W1 to 5.0 μs<br>Set PRI (period) to 0.01 ms |             |                |             |
| Measure and record the Video Feedthrough voltage spikes . . . . .                | -10 mV      | _____ mV       | +10 mV      |

**3-16 Pulse Modulation Test: RF On/Off Ratio**

**Test Procedure (1 GHz)**

Set F1 to 1.10 GHz

Measure and record the peak of the signal on the Spectrum Analyzer. (Measured signal must be >60 dB below top graticule to meet specification; this represents an On/Off Ratio of >80 dB.) .

**Lower Limit    Measured Value    Upper Limit**

60 dB                  \_\_\_\_\_ dB                  N/A

**Test Procedure (5 GHz)**

Set F1 to 5.0 GHz

Measure and record the peak of the signal on the Spectrum Analyzer. (Measured signal must be >60 dB below top graticule to meet specification; this represents an On/Off Ratio of >80 dB.) .

60 dB                  \_\_\_\_\_ dB                  N/A

**3-17 Phase Modulation Tests**

**$\Phi$ M Input Sensitivity Procedure  
(Wide  $\Phi$ M Mode)**

Set F1 to 5.0 GHz

Record the  $\Phi$ M deviation displayed on the 68287B/68387B . . . . .

\_\_\_\_\_ rad

Calculate and record the  $\Phi$ M accuracy . . . . .

93.7%                  \_\_\_\_\_ %                  106.3%

**$\Phi$ M Input Sensitivity Procedure  
(Narrow  $\Phi$ M Mode)**

Set F1 to 5.0 GHz

Record the  $\Phi$ M deviation displayed on the 68287B/68387B . . . . .

\_\_\_\_\_ rad

Calculate and record the  $\Phi$ M accuracy . . . . .

93.7%                  \_\_\_\_\_ %                  106.3%



ANRITSU Model 68287B/68387B

Date: \_\_\_\_\_

Serial Number \_\_\_\_\_

Calibrated By: \_\_\_\_\_

**4-7 Preliminary Calibration**

***Procedure Step***

**Step Completion**

- 1. Internal DVM Calibration (calterm119) . . . . . \_\_\_\_\_
- 2. Coarse Loop Pretune DAC Calibration (calterm 137) . . . . . \_\_\_\_\_
- 3. Fine Loop Pretune DAC Calibration (calterm 136). . . . . \_\_\_\_\_
- 4. Sweep Time DAC Calibration (calterm 132) . . . . . \_\_\_\_\_
- 5. YIG Frequency Offset DAC Calibration (calterm 134) . . . . . \_\_\_\_\_
- 6. YIG Frequency Linearizer DACs Calibration (calterm 127) . . . . . \_\_\_\_\_
- 7. 100 MHz Reference Oscillator Calibration (calterm 130) . . . . . \_\_\_\_\_
- 8. Ramp Center DAC Calibration (calterm 129) . . . . . \_\_\_\_\_
- 9. Sweep Width DAC Calibration (calterm 133) . . . . . \_\_\_\_\_
- 10. Center Frequency DAC Calibration (calterm 114) . . . . . \_\_\_\_\_
- 11. Store the Calibration Data . . . . . \_\_\_\_\_

**4-8 Switched Filter Shaper Calibration**

***Log Amplifier Zero Calibration***

**Step Completion**

- 1. Log Amplifier Zero Calibration (calterm 115) . . . . . \_\_\_\_\_

***Limiter DAC Adjustment***

- 2. Limiter DAC Adjustment (calterm 145). . . . . \_\_\_\_\_

***Shaper DAC Adjustment***

- 2. Shaper DAC Adjustment (calterm 138) . . . . . \_\_\_\_\_
- 3. Store the Calibration Data . . . . . \_\_\_\_\_

**4-9 RF Level Calibration**

This calibration is performed using an automatic test system. Contact ANRITSU Customer Service for further information.

**4-10 ALC Slope Calibration (68387B having Firmware Version 2.00 and above)**

| <b>Procedure Step</b>                      | <b>Step Completion</b> |
|--|------------------------|
| 5. ALC Slope DAC adjustment . . . . .      | _____                  |
| 6. Store the DAC setting value(s). . . . . | _____                  |

**4-11 ALC Bandwidth Calibration**

| <b>Procedure Step</b>                                | <b>Step Completion</b> |
|--|------------------------|
| 1. ALC Bandwidth Calibration (Calterm 110) . . . . . | _____                  |
| 2. Store the Calibration Data . . . . .              | _____                  |

**4-12 AM Calibration**

| <b>Procedure Step</b>  | <b>Step Completion</b> |
|--|------------------------|
| 2. Linear AM Calibration (calterm 112) . . . . .             | _____                  |
| 3. Log AM Calibration (calterm 113) . . . . .                | _____                  |
| 4. AM Meter Calibration (calterm 147) . . . . .              | _____                  |
| 5. AM Function Generator Calibration (calterm 146) . . . . . | _____                  |
| 6. Store the Calibration Data . . . . .                      | _____                  |

**4-13 FM Calibration (68287B/68387B with Firmware Version 1.01 to 2.10)**

| <b>Procedure Step</b>   | <b>Step Completion</b> |
|---|------------------------|
| 1. FM Meter Calibration (calterm 123) . . . . .                       | _____                  |
| 2. FM Offset Balance Calibration (calterm 126) . . . . .              | _____                  |
| 3. External FM Wide Sensitivity Calibration (calterm 124) . . . . .   | _____                  |
| 4. External FM Narrow Sensitivity Calibration (calterm 125) . . . . . | _____                  |
| 5. Internal FM Wide Sensitivity Calibration (calterm 143) . . . . .   | _____                  |
| 6. Internal FM Narrow Sensitivity Calibration (calterm 144) . . . . . | _____                  |
| 7. Store the Calibration Data . . . . .                               | _____                  |

**4-13 FM Calibration (68287B with Firmware Version 2.18 and above;  
68387B with Firmware Version 2.20 and above)**

| <b>Procedure Step</b>   | <b>Step Completion</b> |
|---|------------------------|
| 1. FM Meter Calibration (calterm 123) . . . . .   | _____                  |
| 2. FM Variable Gain Linearity Calibration (calterm 148) . . . . .   | _____                  |
| 3. External Unlocked Wide FM Mode Sensitivity Calibration (calterm 124) . . . . .                                   | _____                  |
| 4. Internal Unlocked Wide FM Mode Sensitivity Calibration (calterm 143) . . . . .                                   | _____                  |
| 5. External Locked, Locked Low-Noise, and Unlocked Narrow FM Mode Sensitivity<br>Calibration (calterm 125). . . . . | _____                  |
| 6. Internal Locked, Locked Low-Noise, and Unlocked Narrow FM Mode Sensitivity<br>Calibration (calterm 144). . . . . | _____                  |
| 7. FM Rear Panel Input Gain Calibration (calterm 154) . . . . .   | _____                  |
| 8. Store the Calibration Data . . . . .   | _____                  |

**4-14 Phase Modulation ( $\Phi$ M) Calibration (Option 6)**

| <b>Procedure Step</b>  | <b>Step Completion</b> |
|--|------------------------|
| 1. External Wide $\Phi$ M Mode Sensitivity Calibration (calterm 149) . . . . .   | _____                  |
| 2. Internal Wide $\Phi$ M Mode Sensitivity Calibration (calterm 151) . . . . .   | _____                  |
| 3. Wide $\Phi$ M Mode Flatness Calibration (calterm 155) . . . . .               | _____                  |
| 4. External Narrow $\Phi$ M Mode Sensitivity Calibration (calterm 150) . . . . . | _____                  |
| 5. Internal Narrow $\Phi$ M Mode Sensitivity Calibration (calterm 152) . . . . . | _____                  |
| 6. Narrow $\Phi$ M Mode Flatness Calibration (calterm 156) . . . . .             | _____                  |
| 7. Store the Calibration Data . . . . .  | _____                  |



ANRITSU Model 68295B/68395B

Date: \_\_\_\_\_

Serial Number \_\_\_\_\_

Tested By: \_\_\_\_\_

|   |
|---|
| <b>3-6 Internal Time Base Aging Rate Test</b> |
|---|

| <i>Test Procedure</i>                                   | <b>Measured Value</b> | <b>Upper Limit</b>   |
|---|-----------------------|--|
| Record frequency error value . . . . .                  | _____                 |  |
| Record frequency error value (after 24 hours) . . . . . | _____                 |  |
| Record the computed aging rate . . . . .                | _____ per day         | $2 \times 10^{-8}$ per day<br>( $5 \times 10^{-10}$ per day<br>with Option 16) |

**3-7 Frequency Synthesis Tests**

**Coarse Loop/YIG Loop Test Procedure**

| Test Frequency (in GHz) | Measured Value * | Test Frequency (in GHz) | Measured Value * |
|-------------------------|------------------|-------------------------|------------------|
| 1.000 000 000           | _____            | 26.000 000 000          | _____            |
| 2.000 000 000           | _____            | 27.000 000 000          | _____            |
| 3.000 000 000           | _____            | 28.000 000 000          | _____            |
| 4.000 000 000           | _____            | 29.000 000 000          | _____            |
| 5.000 000 000           | _____            | 30.000 000 000          | _____            |
| 6.000 000 000           | _____            | 31.000 000 000          | _____            |
| 7.000 000 000           | _____            | 32.000 000 000          | _____            |
| 8.000 000 000           | _____            | 33.000 000 000          | _____            |
| 9.000 000 000           | _____            | 34.000 000 000          | _____            |
| 10.000 000 000          | _____            | 35.000 000 000          | _____            |
| 11.000 000 000          | _____            | 36.000 000 000          | _____            |
| 12.000 000 000          | _____            | 37.000 000 000          | _____            |
| 13.000 000 000          | _____            | 38.000 000 000          | _____            |
| 14.000 000 000          | _____            | 39.000 000 000          | _____            |
| 15.000 000 000          | _____            | 40.000 000 000          | _____            |
| 16.000 000 000          | _____            | 41.000 000 000          | _____            |
| 17.000 000 000          | _____            | 42.000 000 000          | _____            |
| 18.000 000 000          | _____            | 43.000 000 000          | _____            |
| 19.000 000 000          | _____            | 44.000 000 000          | _____            |
| 20.000 000 000          | _____            | 45.000 000 000          | _____            |
| 21.000 000 000          | _____            | 46.000 000 000          | _____            |
| 22.000 000 000          | _____            | 47.000 000 000          | _____            |
| 23.000 000 000          | _____            | 48.000 000 000          | _____            |
| 24.000 000 000          | _____            | 49.000 000 000          | _____            |
| 25.000 000 000          | _____            | 50.000 000 000          | _____            |

**3-7 Frequency Synthesis Tests (Continued)**

**Coarse Loop/YIG Loop Test Procedure (Continued)**

| Test Frequency (in GHz) | Measured Value * | Test Frequency (in GHz) | Measured Value * |
|-------------------------|------------------|-------------------------|------------------|
| 51.000 000 000          | _____            | 59.000 000 000          | _____            |
| 52.000 000 000          | _____            | 60.000 000 000          | _____            |
| 53.000 000 000          | _____            | 61.000 000 000          | _____            |
| 54.000 000 000          | _____            | 62.000 000 000          | _____            |
| 55.000 000 000          | _____            | 63.000 000 000          | _____            |
| 56.000 000 000          | _____            | 64.000 000 000          | _____            |
| 57.000 000 000          | _____            | 65.000 000 000          | _____            |
| 58.000 000 000          | _____            |                         |                  |

\* Specification for all frequencies listed above is  $\pm 100$  Hz.

**Fine Loop Test Procedure (Standard 68X95B)**

| Test Frequency (in Ghz) | Measured Value ** |
|-------------------------|-------------------|
| 1.000 001 000           | _____             |
| 1.000 002 000           | _____             |
| 1.000 003 000           | _____             |
| 1.000 004 000           | _____             |
| 1.000 005 000           | _____             |
| 1.000 006 000           | _____             |
| 1.000 007 000           | _____             |
| 1.000 008 000           | _____             |
| 1.000 009 000           | _____             |
| 1.000 010 000           | _____             |

\*\* Specifications for all frequencies listed above is  $\pm 100$  Hz.

**Fine Loop Test Procedure (68X95B with Option 11)**

| Test Frequency (in Ghz) | Measured Value *** |
|-------------------------|--------------------|
| 1.000 000 100           | _____              |
| 1.000 000 200           | _____              |
| 1.000 000 300           | _____              |
| 1.000 000 400           | _____              |
| 1.000 000 500           | _____              |
| 1.000 000 600           | _____              |
| 1.000 000 700           | _____              |
| 1.000 000 800           | _____              |
| 1.000 000 900           | _____              |
| 1.000 001 000           | _____              |

\*\*\* Specification for all frequencies listed above is  $\pm 10$  Hz.

**3-8 Spurious Signals Test: RF Output Signals @2.2 GHz**

| <b>Test Procedure</b>  | <b>Measured Value</b> | <b>Upper Limit</b> |
|--|-----------------------|--------------------|
| Set F1 to 500 MHz<br>Record the level of all harmonics of the 500 MHz carrier  |                       |                    |
| 1.0 GHz (2nd harmonic) . . . . .   | _____dBc              | -50 dBc            |
| 1.5 GHz (3rd harmonic) . . . . .   | _____dBc              | -50 dBc            |
| 2.0 GHz (4th harmonic) . . . . .   | _____dBc              | -50 dBc            |
| 2.5 GHz (5th harmonic) . . . . .   | _____dBc              | -50 dBc            |
| Set F1 to 800 MHz<br>Record the level of all harmonics of the 800 MHz carrier: |                       |                    |
| 1.6 GHz (2nd harmonic) . . . . .   | _____dBc              | -50 dBc            |
| 2.4 GHz (3rd harmonic) . . . . .   | _____dBc              | -50 dBc            |
| 3.2 GHz (4th harmonic) . . . . .   | _____dBc              | -50 dBc            |
| 4.0 GHz (5th harmonic) . . . . .   | _____dBc              | -50 dBc            |
| Set F1 to 1.3 GHz<br>Record the level of all harmonics of the 1.3 GHz carrier: |                       |                    |
| 2.6 GHz (2nd harmonic) . . . . .   | _____dBc              | -50 dBc            |
| 3.9 GHz (3rd harmonic) . . . . .   | _____dBc              | -50 dBc            |
| 5.2 GHz (4th harmonic) . . . . .   | _____dBc              | -50 dBc            |
| 6.5 GHz (5th harmonic) . . . . .   | _____dBc              | -50 dBc            |
| Set F1 to 2.1 GHz<br>Record the level of all harmonics of the 2.1 GHz carrier: |                       |                    |
| 4.2 GHz (2nd harmonic) . . . . .   | _____dBc              | -50 dBc            |
| 6.3 GHz (3rd harmonic) . . . . .   | _____dBc              | -50 dBc            |
| 8.2 GHz (4th harmonic) . . . . .   | _____dBc              | -50 dBc            |
| 10.2 GHz (5th harmonic) . . . . .  | _____dBc              | -50 dBc            |

**3-9 Harmonic Test: RF Output Signals From 2.2 to 20 GHz**

**Test Procedure (2.2 to 10 GHz)**

Set F1 to 2.4 GHz

Record the level of all harmonics of the 2.4 GHz carrier:

|                                  | Measure Value | Upper Limit |
|----------------------------------|---------------|-------------|
| 4.8 GHz (2nd harmonic) . . . . . | _____dBc      | -50 dBc     |
| 7.2 GHz (3rd harmonic). . . . .  | _____dBc      | -50 dBc     |
| 9.6 GHz (4th harmonic). . . . .  | _____dBc      | -50 dBc     |
| 12.0 GHz (5th harmonic). . . . . | _____dBc      | -50 dBc     |
| 14.4 GHz (6th harmonic). . . . . | _____dBc      | -50 dBc     |
| 16.8 GHz (7th harmonic). . . . . | _____dBc      | -50 dBc     |
| 19.2 GHz (8th harmonic). . . . . | _____dBc      | -50 dBc     |

Set F1 to 3.6 GHz

Record the level of all harmonics of the 3.6 GHz carrier:

|                                   |          |         |
|-----------------------------------|----------|---------|
| 7.2 GHz (2nd harmonic) . . . . .  | _____dBc | -50 dBc |
| 10.8 GHz (3rd harmonic). . . . .  | _____dBc | -50 dBc |
| 14.4 GHz (4th harmonic). . . . .  | _____dBc | -50 dBc |
| 18.0 GHz (5th harmonic) . . . . . | _____dBc | -50 dBc |

Set F1 to 7.0 GHz

Record the level of all harmonics of the 7 GHz carrier:

|                                   |          |         |
|-----------------------------------|----------|---------|
| 14.0 GHz (2nd harmonic) . . . . . | _____dBc | -50 dBc |
|-----------------------------------|----------|---------|

Set F1 to 10.0 GHz

Record the level of all harmonics of the 10 GHz carrier:

|                                   |          |         |
|-----------------------------------|----------|---------|
| 20.0 GHz (2nd harmonic) . . . . . | _____dBc | -50 dBc |
|-----------------------------------|----------|---------|

**Test Procedure (11 to 20 GHz)**

Set F1 to 12.4 GHz

Record the level of all harmonics of the 12.4 GHz carrier:

|                                   |          |         |
|-----------------------------------|----------|---------|
| 24.8 GHz (2nd harmonic) . . . . . | _____dBc | -50 dBc |
| 37.2 GHz (3rd harmonic). . . . .  | _____dBc | -50 dBc |

Set F1 to 16.0 GHz

Record the level of all harmonics of the 16.0 GHz carrier:

|                                   |          |         |
|-----------------------------------|----------|---------|
| 32.0 GHz (2nd harmonic) . . . . . | _____dBc | -50 dBc |
|-----------------------------------|----------|---------|

Set F1 to 20.0 GHz

Record the level of all harmonics of the 20.0 GHz carrier:

|                                   |          |         |
|-----------------------------------|----------|---------|
| 40.0 GHz (2nd harmonic) . . . . . | _____dBc | -50 dBc |
|-----------------------------------|----------|---------|

**3-10 Single Sideband Phase Noise Test**

| <i>Test Procedure</i>                           | <b>Measured Value</b> | <b>Upper Limit</b> |
|---|-----------------------|--------------------|
| Set F1 to 0.6 GHz                               |                       |                    |
| Record the phase noise levels at these offsets: |                       |                    |
| 100 Hz . . . . .                                | _____ dBc             | -84 dBc            |
| 1 kHz . . . . .                                 | _____ dBc             | -97 dBc            |
| 10 kHz . . . . .                                | _____ dBc             | -95 dBc            |
| 100 kHz . . . . .                               | _____ dBc             | -112 dBc           |
| Set F1 to 2.0 GHz                               |                       |                    |
| Record the phase noise levels at these offsets: |                       |                    |
| 100 Hz . . . . .                                | _____ dBc             | -78 dBc            |
| 1 kHz . . . . .                                 | _____ dBc             | -91 dBc            |
| 10 kHz . . . . .                                | _____ dBc             | -89 dBc            |
| 100 kHz . . . . .                               | _____ dBc             | -106 dBc           |
| Set F1 to 6.0 GHz                               |                       |                    |
| Record the phase noise levels at these offsets: |                       |                    |
| 100 Hz . . . . .                                | _____ dBc             | -75 dBc            |
| 1 kHz . . . . .                                 | _____ dBc             | -85 dBc            |
| 10 kHz . . . . .                                | _____ dBc             | -83 dBc            |
| 100 kHz . . . . .                               | _____ dBc             | -99 dBc            |
| Set F1 to 10.0 GHz                              |                       |                    |
| Record the phase noise levels at these offsets: |                       |                    |
| 100 Hz . . . . .                                | _____ dBc             | -70 dBc            |
| 1 kHz . . . . .                                 | _____ dBc             | -83 dBc            |
| 10 kHz . . . . .                                | _____ dBc             | -80 dBc            |
| 100 kHz . . . . .                               | _____ dBc             | -99 dBc            |
| Set F1 to 20.0 GHz                              |                       |                    |
| Record the phase noise levels at these offsets: |                       |                    |
| 100 Hz . . . . .                                | _____ dBc             | -63 dBc            |
| 1 kHz . . . . .                                 | _____ dBc             | -75 dBc            |
| 10 kHz . . . . .                                | _____ dBc             | -75 dBc            |
| 100 kHz . . . . .                               | _____ dBc             | -97 dBc            |

**3-10 Single Sideband Phase Noise Test (Continued)**

| <i>Test Procedure</i>                           | <b>Measured Value</b> | <b>Upper Limit</b> |
|---|-----------------------|--------------------|
| Set F1 to 26.5 GHz                              |                       |                    |
| Record the phase noise levels at these offsets: |                       |                    |
| 100 Hz . . . . .                                | _____dBc              | -60 dBc            |
| 1 kHz . . . . .                                 | _____dBc              | -75 dBc            |
| 10 kHz . . . . .                                | _____dBc              | -73 dBc            |
| 100 kHz . . . . .                               | _____dBc              | -93 dBc            |

**3-11 Power Level Accuracy and Flatness Tests  
(Model 68295B/68395B)**

**Power Level Accuracy Test Procedure**

| Set F1 to 5.0 GHz |                  | Set F1 to 25.0 GHz |                  | Set F1 to 60.0 GHz |                  |
|-------------------|------------------|--------------------|------------------|--------------------|------------------|
| Set L1 to:        | Measured Power * | Set L1 to:         | Measured Power * | Set L1 to:         | Measured Power * |
| +10 dBm           | _____ dBm        | + 2.5 dBm          | _____ dBm        | - 2 dBm            | _____ dBm        |
| + 9 dBm           | _____ dBm        | + 1.5 dBm          | _____ dBm        | - 3 dBm            | _____ dBm        |
| + 8 dBm           | _____ dBm        | + 0.5 dBm          | _____ dBm        | - 4 dBm            | _____ dBm        |
| + 7 dBm           | _____ dBm        | - 0.5 dBm          | _____ dBm        | - 5 dBm            | _____ dBm        |
| + 6 dBm           | _____ dBm        | - 1.5 dBm          | _____ dBm        | - 6 dBm            | _____ dBm        |
| + 5 dBm           | _____ dBm        | - 2.5 dBm          | _____ dBm        | - 7 dBm            | _____ dBm        |
| + 4 dBm           | _____ dBm        | - 3.5 dBm          | _____ dBm        | - 8 dBm            | _____ dBm        |
| + 3 dBm           | _____ dBm        | - 4.5 dBm          | _____ dBm        | - 9 dBm            | _____ dBm        |
| + 2 dBm           | _____ dBm        | - 5.5 dBm          | _____ dBm        | - 10 dBm           | _____ dBm        |
| + 1 dBm           | _____ dBm        | - 6.5 dBm          | _____ dBm        | - 11 dBm           | _____ dBm        |
| 0 dBm             | _____ dBm        | - 7.5 dBm          | _____ dBm        | - 12 dBm           | _____ dBm        |
| - 1 dBm           | _____ dBm        | - 8.5 dBm          | _____ dBm        | - 13 dBm           | _____ dBm        |
| - 2 dBm           | _____ dBm        | - 9.5 dBm          | _____ dBm        | - 14 dBm           | _____ dBm        |

\* Specification is  $\pm 1.0$  dB.

\* Specification is  $\pm 1.0$  dB.

\* Specification is  $\pm 1.5$  dB.

**Power Level Flatness Test Procedure (Step Sweep)**

| Set L1 to: | Max Power | Min Power | Variation ** |
|------------|-----------|-----------|--------------|
| - 2 dBm    | _____ dBm | _____ dBm | _____ dB     |

\*\* Maximum variation is 1.6 dB (0.05 to 40 GHz); 2.2 dB (40 to 65 GHz).

**Power Level Flatness Test Procedure (Analog Sweep) (Model 68395B only)**

| Set L1 to: | Max Power | Min Power | Variation *** |
|------------|-----------|-----------|---------------|
| - 2 dBm    | _____ dBm | _____ dBm | _____ dB      |

\*\*\* Maximum variation is 2.0 dB (0.5 to 20 GHz); 4.0 dB (20 to 40 GHz); 5.0 dB (40 to 65 GHz)(typical, not a specification).



**3-12 Amplitude Modulation Test**

| <b>AM Input Sensitivity Procedure</b>                                 | <b>Lower Limit</b> | <b>Measured Value</b> | <b>Upper Limit</b> |
|---|--------------------|-----------------------|--------------------|
| Set F1 to 5.0 GHz   |                    |                       |                    |
| Measure and record the Modulation Analyzer AM PK(+) reading . . . . . |                    | _____                 |                    |
| Measure and record the Modulation Analyzer AM PK(-) reading . . . . . |                    | _____                 |                    |
| Calculate and record the actual AM input sensitivity . . . . .        | 45%                | _____ %               | 55%                |

**3-13 Frequency Modulation Tests**

| <b>FM Input Sensitivity Procedure<br/>(Unlocked Wide FM Mode)</b>  | <b>Lower Limit</b> | <b>Measured Value</b> | <b>Upper Limit</b> |
|--|--------------------|-----------------------|--------------------|
| Set F1 to 5.0 GHz  |                    |                       |                    |
| Measure and record the low carrier frequency . . . . .             |                    | _____ MHz             |                    |
| Measure and record the high carrier frequency . . . . .            |                    | _____ MHz             |                    |
| Calculate and record the actual peak-to-peak frequency deviation . | 190 MHz            | _____ MHz             | 210 MHz            |

| <b>FM Input Sensitivity Procedure<br/>(Unlocked Narrow FM Mode)</b>        | <b>Lower Limit</b> | <b>Measured Value</b> | <b>Upper Limit</b> |
|--|--------------------|-----------------------|--------------------|
| Set F1 to 5.0 GHz  |                    |                       |                    |
| Record the FM deviation frequency displayed on the 68295B/68395B . . . . . |                    | _____ MHz             |                    |
| Calculate and record the FM accuracy . . . . .                             | 93.7%              | _____ %               | 106.3%             |

| <b>FM Input Sensitivity Procedure<br/>(Locked FM Mode)</b>                 | <b>Lower Limit</b> | <b>Measured Value</b> | <b>Upper Limit</b> |
|--|--------------------|-----------------------|--------------------|
| Set F1 to 5.0 GHz  |                    |                       |                    |
| Record the FM deviation frequency displayed on the 68295B/68395B . . . . . |                    | _____ MHz             |                    |
| Calculate and record the FM accuracy . . . . .                             | 93.7%              | _____ %               | 106.3%             |

**3-13 Frequency Modulation Tests (Continued)**

**FM Input Sensitivity Procedure  
(Locked Low-Noise FM Mode)**

|  | Lower Limit | Measured Value | Upper Limit |
|--|-------------|----------------|-------------|
| Set F1 to 5.0 GHz  |             |                |             |
| Record the FM deviation frequency displayed on the 68295B/68395B . . . . . |             | _____ MHz      |             |
| Calculate and record the FM accuracy . . . . .                             | 93.7%       | _____ %        | 106.3%      |

**3-14 Pulse Modulation Tests: Rise Time, Fall Time, Overshoot, and Level**

**Rise Time, Fall Time, and Overshoot**

|                                   | Lower Limit | Measured Value | Upper Limit |
|-----------------------------------|-------------|----------------|-------------|
| Set F1 to 5.0 GHz                 |             |                |             |
| Measure and record the following: |             |                |             |
| Rise Time . . . . .               | N/A         | _____ ns       | 10 ns       |
| Pulse Width . . . . .             | -10 ns      | _____ $\mu$ s  | +10 ns      |
| PR1 (period) . . . . .            | -10 ns      | _____ ms       | +10 ns      |
| Overshoot . . . . .               | N/A         | _____ %        | 10%         |

**Pulse Level Accuracy (1 GHz, Pulse Width = 1.0  $\mu$ s)**

|   |         |           |         |
|---|---------|-----------|---------|
| Set F1 to 1.0 GHz   |         |           |         |
| Set pulse width W1 to 1.0 $\mu$ s                         |         |           |         |
| Record the displayed output level L1 (step 5.b) . . . . . |         | _____ dBm |         |
| Record the displayed output level L1 (step 5.d) . . . . . |         | _____ dBm |         |
| Calculate and record the pulse level error. . . . .       | -1.0 dB | _____ dB  | +1.0 dB |

**Pulse Level Accuracy (1 GHz, Pulse Width = 5.0  $\mu$ s)**

|   |         |           |         |
|---|---------|-----------|---------|
| Set F1 to 1.0 GHz   |         |           |         |
| Set pulse width W1 to 5.0 $\mu$ s                         |         |           |         |
| Record the displayed output level L1 (step 5.b) . . . . . |         | _____ dBm |         |
| Record the displayed output level L1 (step 5.d) . . . . . |         | _____ dBm |         |
| Calculate and record the pulse level error. . . . .       | -0.5 dB | _____ dB  | +0.5 dB |

**3-14 Pulse Modulation Tests: Rise Time, Fall Time, Overshoot, and Level (Continued)**

| <i>Pulse Level Accuracy (5 GHz, Pulse Width = 0.5 <math>\mu</math>s)</i> | Lower Limit | Measured Value | Upper Limit |
|--|-------------|----------------|-------------|
| Set F1 to 5.0 GHz<br>Set pulse width W1 to 5.0 $\mu$ s                   |             |                |             |
| Record the displayed output level L1 (step 5.b) . . . . .                |             | _____ dBm      |             |
| Record the displayed output level L1 (step 5.d) . . . . .                |             | _____ dBm      |             |
| Calculate and record the pulse level error. . . . .                      | -1.0 dB     | _____ dB       | +1.0 dB     |

**Pulse Level Accuracy (5 GHz, Pulse Width = 5.0  $\mu$ s)**

|   |         |           |         |
|---|---------|-----------|---------|
| Set F1 to 5.0 GHz<br>Set pulse width W1 to 5.0 $\mu$ s    |         |           |         |
| Record the displayed output level L1 (step 5.b) . . . . . |         | _____ dBm |         |
| Record the displayed output level L1 (step 5.d) . . . . . |         | _____ dBm |         |
| Calculate and record the pulse level error. . . . .       | -0.5 dB | _____ dB  | +0.5 dB |

**3-15 Pulse Modulation Test: Video Feedthrough**

| <i>Test Procedure</i>   | Lower Limit | Measured Value | Upper Limit |
|---|-------------|----------------|-------------|
| Set F1 to 5.0 GHz<br>Set pulse width W1 to 5.0 $\mu$ s<br>Set PRI (period) to 0.01 ms |             |                |             |
| Measure and record the Video Feedthrough voltage spikes . . . . .                     | -10 mV      | _____ mV       | +10 mV      |

**3-16 Pulse Modulation Test: RF On/Off Ratio**

**Test Procedure (1 GHz)**

**Lower Limit    Measured Value    Upper Limit**

Set F1 to 1.10 GHz

Measure and record the peak of the signal on the Spectrum Analyzer. (Measured signal must be >60 dB below top graticule to meet specification; this represents an On/Off Ratio of >80 dB.) .

60 dB                  \_\_\_\_\_ dB                  N/A

**Test Procedure (5 GHz)**

Set F1 to 5.0 GHz

Measure and record the peak of the signal on the Spectrum Analyzer. (Measured signal must be >60 dB below top graticule to meet specification; this represents an On/Off Ratio of >80 dB.) .

60 dB                  \_\_\_\_\_ dB                  N/A

**3-17 Phase Modulation Tests**

**$\Phi$ M Input Sensitivity Procedure  
(Wide  $\Phi$ M Mode)**

**Lower Limit    Measured Value    Upper Limit**

Set F1 to 5.0 GHz

Record the  $\Phi$ M deviation displayed on the 68295B/68395B . . . . .

\_\_\_\_\_ rad

Calculate and record the  $\Phi$ M accuracy . . . . .

93.7%                  \_\_\_\_\_ %                  106.3%

**$\Phi$ M Input Sensitivity Procedure  
(Narrow  $\Phi$ M Mode)**

Set F1 to 5.0 GHz

Record the  $\Phi$ M deviation displayed on the 68295B/68395B . . . . .

\_\_\_\_\_ rad

Calculate and record the  $\Phi$ M accuracy . . . . .

93.7%                  \_\_\_\_\_ %                  106.3%

ANRITSU Model 68295B/68395B

Date: \_\_\_\_\_

Serial Number \_\_\_\_\_

Calibrated By: \_\_\_\_\_

**4-7 Preliminary Calibration**

***Procedure Step***

**Step Completion**

- 1. Internal DVM Calibration (calterm119) . . . . . \_\_\_\_\_
- 2. Coarse Loop Pretune DAC Calibration (calterm 137) . . . . . \_\_\_\_\_
- 3. Fine Loop Pretune DAC Calibration (calterm 136). . . . . \_\_\_\_\_
- 4. Sweep Time DAC Calibration (calterm 132) . . . . . \_\_\_\_\_
- 5. YIG Frequency Offset DAC Calibration (calterm 134) . . . . . \_\_\_\_\_
- 6. YIG Frequency Linearizer DACs Calibration (calterm 127) . . . . . \_\_\_\_\_
- 7. 100 MHz Reference Oscillator Calibration (calterm 130) . . . . . \_\_\_\_\_
- 8. Ramp Center DAC Calibration (calterm 129) . . . . . \_\_\_\_\_
- 9. Sweep Width DAC Calibration (calterm 133) . . . . . \_\_\_\_\_
- 10. Center Frequency DAC Calibration (calterm 114) . . . . . \_\_\_\_\_
- 11. Store the Calibration Data . . . . . \_\_\_\_\_

**4-8 Switched Filter Shaper Calibration**

***Log Amplifier Zero Calibration***

**Step Completion**

- 1. Log Amplifier Zero Calibration (calterm 115) . . . . . \_\_\_\_\_

***Limiter DAC Adjustment***

- 2. Limiter DAC Adjustment (calterm 145). . . . . \_\_\_\_\_

***Shaper DAC Adjustment***

- 2. Shaper DAC Adjustment (calterm 138) . . . . . \_\_\_\_\_
- 3. Store the Calibration Data . . . . . \_\_\_\_\_

**4-9 RF Level Calibration**

This calibration is performed using an automatic test system. Contact ANRITSU Customer Service for further information.

**4-10 ALC Slope Calibration (68395B having Firmware Version 1.00 or above)**

| <b>Procedure Step</b>                      | <b>Step Completion</b> |
|--|------------------------|
| 5. ALC Slope DAC adjustment . . . . .      | _____                  |
| 6. Store the DAC setting value(s). . . . . | _____                  |

**4-11 ALC Bandwidth Calibration**

| <b>Procedure Step</b>                                | <b>Step Completion</b> |
|--|------------------------|
| 1. ALC Bandwidth Calibration (Calterm 110) . . . . . | _____                  |
| 2. Store the Calibration Data . . . . .              | _____                  |

**4-12 AM Calibration**

| <b>Procedure Step</b>  | <b>Step Completion</b> |
|--|------------------------|
| 2. Linear AM Calibration (calterm 112) . . . . .             | _____                  |
| 3. Log AM Calibration (calterm 113) . . . . .                | _____                  |
| 4. AM Meter Calibration (calterm 147) . . . . .              | _____                  |
| 5. AM Function Generator Calibration (calterm 146) . . . . . | _____                  |
| 6. Store the Calibration Data . . . . .                      | _____                  |

**4-13 FM Calibration (68295B/68395B with Firmware Version 1.00)**

| <b>Procedure Step</b>   | <b>Step Completion</b> |
|---|------------------------|
| 1. FM Meter Calibration (calterm 123) . . . . .                       | _____                  |
| 2. FM Offset Balance Calibration (calterm 126) . . . . .              | _____                  |
| 3. External FM Wide Sensitivity Calibration (calterm 124) . . . . .   | _____                  |
| 4. External FM Narrow Sensitivity Calibration (calterm 125) . . . . . | _____                  |
| 5. Internal FM Wide Sensitivity Calibration (calterm 143) . . . . .   | _____                  |
| 6. Internal FM Narrow Sensitivity Calibration (calterm 144) . . . . . | _____                  |
| 7. Store the Calibration Data . . . . .                               | _____                  |

**4-13 FM Calibration (68295B/68395B with Firmware Version 1.07 and above)**

| <b>Procedure Step</b>   | <b>Step Completion</b> |
|---|------------------------|
| 1. FM Meter Calibration (calterm 123) . . . . .   | _____                  |
| 2. FM Variable Gain Linearity Calibration (calterm 148) . . . . .   | _____                  |
| 3. External Unlocked Wide FM Mode Sensitivity Calibration (calterm 124) . . . . .                                   | _____                  |
| 4. Internal Unlocked Wide FM Mode Sensitivity Calibration (calterm 143) . . . . .                                   | _____                  |
| 5. External Locked, Locked Low-Noise, and Unlocked Narrow FM Mode Sensitivity<br>Calibration (calterm 125). . . . . | _____                  |
| 6. Internal Locked, Locked Low-Noise, and Unlocked Narrow FM Mode Sensitivity<br>Calibration (calterm 144). . . . . | _____                  |
| 7. FM Rear Panel Input Gain Calibration (calterm 154) . . . . .   | _____                  |
| 8. Store the Calibration Data . . . . .   | _____                  |

**4-14 Phase Modulation ( $\Phi$ M) Calibration (Option 6)**

| <b>Procedure Step</b>  | <b>Step Completion</b> |
|--|------------------------|
| 1. External Wide $\Phi$ M Mode Sensitivity Calibration (calterm 149) . . . . .   | _____                  |
| 2. Internal Wide $\Phi$ M Mode Sensitivity Calibration (calterm 151) . . . . .   | _____                  |
| 3. Wide $\Phi$ M Mode Flatness Calibration (calterm 155) . . . . .               | _____                  |
| 4. External Narrow $\Phi$ M Mode Sensitivity Calibration (calterm 150) . . . . . | _____                  |
| 5. Internal Narrow $\Phi$ M Mode Sensitivity Calibration (calterm 152) . . . . . | _____                  |
| 6. Narrow $\Phi$ M Mode Flatness Calibration (calterm 156) . . . . .             | _____                  |
| 7. Store the Calibration Data . . . . .  | _____                  |



ANRITSU Model 68297B/68397B

Date: \_\_\_\_\_

Serial Number \_\_\_\_\_

Tested By: \_\_\_\_\_

|   |
|---|
| <b>3-6 Internal Time Base Aging Rate Test</b> |
|---|

| <i>Test Procedure</i>                                   | <b>Measured Value</b> | <b>Upper Limit</b>  |
|---|-----------------------|---|
| Record frequency error value . . . . .                  | _____                 |   |
| Record frequency error value (after 24 hours) . . . . . | _____                 |   |
| Record the computed aging rate . . . . .                | _____ per day         | 2x10 <sup>-8</sup> per day<br>(5x10 <sup>-10</sup> per day<br>with Option 16) |

**3-7 Frequency Synthesis Tests**

**Coarse Loop/YIG Loop Test Procedure**

| Test Frequency (in GHz) | Measured Value * | Test Frequency (in GHz) | Measured Value * |
|-------------------------|------------------|-------------------------|------------------|
| 1.000 000 000           | _____            | 26.000 000 000          | _____            |
| 2.000 000 000           | _____            | 27.000 000 000          | _____            |
| 3.000 000 000           | _____            | 28.000 000 000          | _____            |
| 4.000 000 000           | _____            | 29.000 000 000          | _____            |
| 5.000 000 000           | _____            | 30.000 000 000          | _____            |
| 6.000 000 000           | _____            | 31.000 000 000          | _____            |
| 7.000 000 000           | _____            | 32.000 000 000          | _____            |
| 8.000 000 000           | _____            | 33.000 000 000          | _____            |
| 9.000 000 000           | _____            | 34.000 000 000          | _____            |
| 10.000 000 000          | _____            | 35.000 000 000          | _____            |
| 11.000 000 000          | _____            | 36.000 000 000          | _____            |
| 12.000 000 000          | _____            | 37.000 000 000          | _____            |
| 13.000 000 000          | _____            | 38.000 000 000          | _____            |
| 14.000 000 000          | _____            | 39.000 000 000          | _____            |
| 15.000 000 000          | _____            | 40.000 000 000          | _____            |
| 16.000 000 000          | _____            | 41.000 000 000          | _____            |
| 17.000 000 000          | _____            | 42.000 000 000          | _____            |
| 18.000 000 000          | _____            | 43.000 000 000          | _____            |
| 19.000 000 000          | _____            | 44.000 000 000          | _____            |
| 20.000 000 000          | _____            | 45.000 000 000          | _____            |
| 21.000 000 000          | _____            | 46.000 000 000          | _____            |
| 22.000 000 000          | _____            | 47.000 000 000          | _____            |
| 23.000 000 000          | _____            | 48.000 000 000          | _____            |
| 24.000 000 000          | _____            | 49.000 000 000          | _____            |
| 25.000 000 000          | _____            | 50.000 000 000          | _____            |

**3-7 Frequency Synthesis Tests (Continued)**

**Coarse Loop/YIG Loop Test Procedure (Continued)**

| Test Frequency (in GHz) | Measured Value * | Test Frequency (in GHz) | Measured Value * |
|-------------------------|------------------|-------------------------|------------------|
| 51.000 000 000          | _____            | 59.000 000 000          | _____            |
| 52.000 000 000          | _____            | 60.000 000 000          | _____            |
| 53.000 000 000          | _____            | 61.000 000 000          | _____            |
| 54.000 000 000          | _____            | 62.000 000 000          | _____            |
| 55.000 000 000          | _____            | 63.000 000 000          | _____            |
| 56.000 000 000          | _____            | 64.000 000 000          | _____            |
| 57.000 000 000          | _____            | 65.000 000 000          | _____            |
| 58.000 000 000          | _____            |                         |                  |

\* Specification for all frequencies listed above is  $\pm 100$  Hz.

**Fine Loop Test Procedure (Standard 68X97B)**

| Test Frequency (in Ghz) | Measured Value ** |
|-------------------------|-------------------|
| 1.000 001 000           | _____             |
| 1.000 002 000           | _____             |
| 1.000 003 000           | _____             |
| 1.000 004 000           | _____             |
| 1.000 005 000           | _____             |
| 1.000 006 000           | _____             |
| 1.000 007 000           | _____             |
| 1.000 008 000           | _____             |
| 1.000 009 000           | _____             |
| 1.000 010 000           | _____             |

\*\* Specifications for all frequencies listed above is  $\pm 100$  Hz.

**Fine Loop Test Procedure (68X97B with Option 11)**

| Test Frequency (in Ghz) | Measured Value *** |
|-------------------------|--------------------|
| 1.000 000 100           | _____              |
| 1.000 000 200           | _____              |
| 1.000 000 300           | _____              |
| 1.000 000 400           | _____              |
| 1.000 000 500           | _____              |
| 1.000 000 600           | _____              |
| 1.000 000 700           | _____              |
| 1.000 000 800           | _____              |
| 1.000 000 900           | _____              |
| 1.000 001 000           | _____              |

\*\*\* Specification for all frequencies listed above is  $\pm 10$  Hz.

**3-8 Spurious Signals Test: RF Output Signals <2 GHz**

| <b>Test Procedure</b>  | <b>Measured Value</b> | <b>Upper Limit</b> |
|--|-----------------------|--------------------|
| Set F1 to 10 MHz   |                       |                    |
| Record the presence of the worst case harmonic . . . . .     | _____dBc              | -30 dBc            |
| Record the presence of the worst case non-harmonic . . . . . | _____dBc              | -40 dBc            |
| Set F1 to 20 MHz   |                       |                    |
| Record the presence of the worst case harmonic . . . . .     | _____dBc              | -30 dBc            |
| Record the presence of the worst case non-harmonic . . . . . | _____dBc              | -40 dBc            |
| Set F1 to 30 MHz   |                       |                    |
| Record the presence of the worst case harmonic . . . . .     | _____dBc              | -30 dBc            |
| Record the presence of the worst case non-harmonic . . . . . | _____dBc              | -40 dBc            |
| Set F1 to 40 MHz   |                       |                    |
| Record the presence of the worst case harmonic . . . . .     | _____dBc              | -30 dBc            |
| Record the presence of the worst case non-harmonic . . . . . | _____dBc              | -40 dBc            |
| Set F1 to 350 MHz  |                       |                    |
| Record the presence of the worst case harmonic . . . . .     | _____dBc              | -40 dBc            |
| Record the presence of the worst case non-harmonic . . . . . | _____dBc              | -40 dBc            |
| Set F1 to 1.6 GHz  |                       |                    |
| Record the presence of the worst case non-harmonic . . . . . | _____dBc              | -40 dBc            |
| Set F1 to 1.6 GHz  |                       |                    |
| Record the level of the harmonics of the 1.6 GHz carrier:    |                       |                    |
| 3.2 GHz (2nd harmonic) . . . . .                             | _____dBc              | -40 dBc            |
| 4.8 GHz (3rd harmonic) . . . . .                             | _____dBc              | -40 dBc            |

**3-9 Harmonic Test: RF Output Signals From 2 to 20 GHz**

**Test Procedure (2 to 10 GHz)**

|   | Measure Value | Upper Limit |
|---|---------------|-------------|
| Set F1 to 2.1 GHz   |               |             |
| Record the level of all harmonics of the 2.1 GHz carrier: |               |             |
| 4.2 GHz (2nd harmonic) . . . . .                          | _____dBc      | -50 dBc     |
| 6.3 GHz (3rd harmonic). . . . .                           | _____dBc      | -50 dBc     |
| 8.4 GHz (4th harmonic). . . . .                           | _____dBc      | -50 dBc     |
| 10.5 GHz (5th harmonic). . . . .                          | _____dBc      | -50 dBc     |
| 12.6 GHz (6th harmonic). . . . .                          | _____dBc      | -50 dBc     |
| 14.7 GHz (7th harmonic). . . . .                          | _____dBc      | -50 dBc     |
| 16.8 GHz (8th harmonic). . . . .                          | _____dBc      | -50 dBc     |
| 18.9 GHz (9th harmonic). . . . .                          | _____dBc      | -50 dBc     |
| Set F1 to 3.6 GHz   |               |             |
| Record the level of all harmonics of the 3.6 GHz carrier: |               |             |
| 7.2 GHz (2nd harmonic) . . . . .                          | _____dBc      | -50 dBc     |
| 10.8 GHz (3rd harmonic). . . . .                          | _____dBc      | -50 dBc     |
| 14.4 GHz (4th harmonic). . . . .                          | _____dBc      | -50 dBc     |
| 18.0 GHz (5th harmonic) . . . . .                         | _____dBc      | -50 dBc     |
| Set F1 to 7.0 GHz   |               |             |
| Record the level of all harmonics of the 7 GHz carrier:   |               |             |
| 14.0 GHz (2nd harmonic) . . . . .                         | _____dBc      | -50 dBc     |
| Set F1 to 10.0 GHz  |               |             |
| Record the level of all harmonics of the 10 GHz carrier:  |               |             |
| 20.0 GHz (2nd harmonic) . . . . .                         | _____dBc      | -50 dBc     |

**Test Procedure (11 to 20 GHz)**

|  |          |         |
|--|----------|---------|
| Set F1 to 12.4 GHz   |          |         |
| Record the level of all harmonics of the 12.4 GHz carrier: |          |         |
| 24.8 GHz (2nd harmonic) . . . . .                          | _____dBc | -50 dBc |
| 37.2 GHz (3rd harmonic). . . . .                           | _____dBc | -50 dBc |
| Set F1 to 16.0 GHz   |          |         |
| Record the level of all harmonics of the 16.0 GHz carrier: |          |         |
| 32.0 GHz (2nd harmonic) . . . . .                          | _____dBc | -50 dBc |
| Set F1 to 20.0 GHz   |          |         |
| Record the level of all harmonics of the 20.0 GHz carrier: |          |         |
| 40.0 GHz (2nd harmonic) . . . . .                          | _____dBc | -50 dBc |

**3-10 Single Sideband Phase Noise Test**

| <i>Test Procedure</i>                           | <b>Measured Value</b> | <b>Upper Limit</b> |
|---|-----------------------|--------------------|
| Set F1 to 0.6 GHz                               |                       |                    |
| Record the phase noise levels at these offsets: |                       |                    |
| 100 Hz . . . . .                                | _____dBc              | -74 dBc            |
| 1 kHz . . . . .                                 | _____dBc              | -85 dBc            |
| 10 kHz . . . . .                                | _____dBc              | -82 dBc            |
| 100 kHz . . . . .                               | _____dBc              | -97 dBc            |
| Set F1 to 2.0 GHz                               |                       |                    |
| Record the phase noise levels at these offsets: |                       |                    |
| 100 Hz . . . . .                                | _____dBc              | -77 dBc            |
| 1 kHz . . . . .                                 | _____dBc              | -85 dBc            |
| 10 kHz . . . . .                                | _____dBc              | -83 dBc            |
| 100 kHz . . . . .                               | _____dBc              | -99 dBc            |
| Set F1 to 6.0 GHz                               |                       |                    |
| Record the phase noise levels at these offsets: |                       |                    |
| 100 Hz . . . . .                                | _____dBc              | -75 dBc            |
| 1 kHz . . . . .                                 | _____dBc              | -85 dBc            |
| 10 kHz . . . . .                                | _____dBc              | -83 dBc            |
| 100 kHz . . . . .                               | _____dBc              | -99 dBc            |
| Set F1 to 10.0 GHz                              |                       |                    |
| Record the phase noise levels at these offsets: |                       |                    |
| 100 Hz . . . . .                                | _____dBc              | -70 dBc            |
| 1 kHz . . . . .                                 | _____dBc              | -83 dBc            |
| 10 kHz . . . . .                                | _____dBc              | -80 dBc            |
| 100 kHz . . . . .                               | _____dBc              | -99 dBc            |
| Set F1 to 20.0 GHz                              |                       |                    |
| Record the phase noise levels at these offsets: |                       |                    |
| 100 Hz . . . . .                                | _____dBc              | -63 dBc            |
| 1 kHz . . . . .                                 | _____dBc              | -75 dBc            |
| 10 kHz . . . . .                                | _____dBc              | -75 dBc            |
| 100 kHz . . . . .                               | _____dBc              | -97 dBc            |

**3-10 Single Sideband Phase Noise Test (Continued)**

| <i>Test Procedure</i>                           | <b>Measured Value</b> | <b>Upper Limit</b> |
|---|-----------------------|--------------------|
| Set F1 to 26.5 GHz                              |                       |                    |
| Record the phase noise levels at these offsets: |                       |                    |
| 100 Hz . . . . .                                | _____dBc              | -60 dBc            |
| 1 kHz . . . . .                                 | _____dBc              | -75 dBc            |
| 10 kHz . . . . .                                | _____dBc              | -73 dBc            |
| 100 kHz . . . . .                               | _____dBc              | -93 dBc            |

**3-11 Power Level Accuracy and Flatness Tests  
(Model 68297B/68397B)**

**Power Level Accuracy Test Procedure**

| Set F1 to 5.0 GHz |                  | Set F1 to 25.0 GHz |                  | Set F1 to 60.0 GHz |                  |
|-------------------|------------------|--------------------|------------------|--------------------|------------------|
| Set L1 to:        | Measured Power * | Set L1 to:         | Measured Power * | Set L1 to:         | Measured Power * |
| +10 dBm           | _____dBm         | + 2.5 dBm          | _____dBm         | - 2 dBm            | _____dBm         |
| + 9 dBm           | _____dBm         | + 1.5 dBm          | _____dBm         | - 3 dBm            | _____dBm         |
| + 8 dBm           | _____dBm         | + 0.5 dBm          | _____dBm         | - 4 dBm            | _____dBm         |
| + 7 dBm           | _____dBm         | - 0.5 dBm          | _____dBm         | - 5 dBm            | _____dBm         |
| + 6 dBm           | _____dBm         | - 1.5 dBm          | _____dBm         | - 6 dBm            | _____dBm         |
| + 5 dBm           | _____dBm         | - 2.5 dBm          | _____dBm         | - 7 dBm            | _____dBm         |
| + 4 dBm           | _____dBm         | - 3.5 dBm          | _____dBm         | - 8 dBm            | _____dBm         |
| + 3 dBm           | _____dBm         | - 4.5 dBm          | _____dBm         | - 9 dBm            | _____dBm         |
| + 2 dBm           | _____dBm         | - 5.5 dBm          | _____dBm         | - 10 dBm           | _____dBm         |
| + 1 dBm           | _____dBm         | - 6.5 dBm          | _____dBm         | - 11 dBm           | _____dBm         |
| 0 dBm             | _____dBm         | - 7.5 dBm          | _____dBm         | - 12 dBm           | _____dBm         |
| - 1 dBm           | _____dBm         | - 8.5 dBm          | _____dBm         | - 13 dBm           | _____dBm         |
| - 2 dBm           | _____dBm         | - 9.5 dBm          | _____dBm         | - 14 dBm           | _____dBm         |

\* Specification is  $\pm 1.0$  dB.

\* Specification is  $\pm 1.0$  dB.

\* Specification is  $\pm 1.5$  dB.

**Power Level Flatness Test Procedure (Step Sweep)**

| Set L1 to: | Max Power | Min Power | Variation ** |
|------------|-----------|-----------|--------------|
| - 2 dBm    | _____dBm  | _____dBm  | _____dB      |

\*\* Maximum variation is 4.0 dB (0.01 to 0.05 GHz); 1.6 dB (0.05 to 40 GHz); 2.2 dB (40 to 65 GHz).

**Power Level Flatness Test Procedure (Analog Sweep) (Model 68397B only)**

| Set L1 to: | Max Power | Min Power | Variation *** |
|------------|-----------|-----------|---------------|
| - 2 dBm    | _____dBm  | _____dBm  | _____dB       |

\*\*\* Maximum variation is 4.0 dB (0.01 to 0.05 GHz); 2.0 dB (0.05 to 20 GHz); 4.0 dB (20 to 40 GHz); 5.0 dB (40 to 65 GHz)(typical, not a specification).



**3-12 Amplitude Modulation Test**

| <b>AM Input Sensitivity Procedure</b>                                 | <b>Lower Limit</b> | <b>Measured Value</b> | <b>Upper Limit</b> |
|---|--------------------|-----------------------|--------------------|
| Set F1 to 5.0 GHz   |                    |                       |                    |
| Measure and record the Modulation Analyzer AM PK(+) reading . . . . . |                    | _____                 |                    |
| Measure and record the Modulation Analyzer AM PK(-) reading . . . . . |                    | _____                 |                    |
| Calculate and record the actual AM input sensitivity . . . . .        | 45%                | _____ %               | 55%                |

**3-13 Frequency Modulation Tests**

| <b>FM Input Sensitivity Procedure<br/>(Unlocked Wide FM Mode)</b>  | <b>Lower Limit</b> | <b>Measured Value</b> | <b>Upper Limit</b> |
|--|--------------------|-----------------------|--------------------|
| Set F1 to 5.0 GHz  |                    |                       |                    |
| Measure and record the low carrier frequency . . . . .             |                    | _____ MHz             |                    |
| Measure and record the high carrier frequency . . . . .            |                    | _____ MHz             |                    |
| Calculate and record the actual peak-to-peak frequency deviation . | 190 MHz            | _____ MHz             | 210 MHz            |

| <b>FM Input Sensitivity Procedure<br/>(Unlocked Narrow FM Mode)</b>        |       |           |        |
|--|-------|-----------|--------|
| Set F1 to 5.0 GHz  |       |           |        |
| Record the FM deviation frequency displayed on the 68297B/68397B . . . . . |       | _____ MHz |        |
| Calculate and record the FM accuracy . . . . .                             | 93.7% | _____ %   | 106.3% |

| <b>FM Input Sensitivity Procedure<br/>(Locked FM Mode)</b>                 |       |           |        |
|--|-------|-----------|--------|
| Set F1 to 5.0 GHz  |       |           |        |
| Record the FM deviation frequency displayed on the 68297B/68397B . . . . . |       | _____ MHz |        |
| Calculate and record the FM accuracy . . . . .                             | 93.7% | _____ %   | 106.3% |

**3-13 Frequency Modulation Tests (Continued)**

**FM Input Sensitivity Procedure  
(Locked Low-Noise FM Mode)**

|  | Lower Limit | Measured Value | Upper Limit |
|--|-------------|----------------|-------------|
| Set F1 to 5.0 GHz  |             |                |             |
| Record the FM deviation frequency displayed on the 68297B/68397B . . . . . |             | _____ MHz      |             |
| Calculate and record the FM accuracy . . . . .                             | 93.7%       | _____ %        | 106.3%      |

**3-14 Pulse Modulation Tests: Rise Time, Fall Time, Overshoot, and Level**

**Rise Time, Fall Time, and Overshoot**

|                                   | Lower Limit | Measured Value | Upper Limit |
|-----------------------------------|-------------|----------------|-------------|
| Set F1 to 5.0 GHz                 |             |                |             |
| Measure and record the following: |             |                |             |
| Rise Time . . . . .               | N/A         | _____ ns       | 10 ns       |
| Pulse Width . . . . .             | -10 ns      | _____ $\mu$ s  | +10 ns      |
| PRI (period) . . . . .            | -10 ns      | _____ ms       | +10 ns      |
| Overshoot . . . . .               | N/A         | _____ %        | 10%         |

**Pulse Level Accuracy (1 GHz, Pulse Width = 1.0  $\mu$ s)**

Set F1 to 1.0 GHz  
Set pulse width W1 to 1.0  $\mu$ s

|   |         |           |         |
|---|---------|-----------|---------|
| Record the displayed output level L1 (step 5.b) . . . . . |         | _____ dBm |         |
| Record the displayed output level L1 (step 5.d) . . . . . |         | _____ dBm |         |
| Calculate and record the pulse level error. . . . .       | -1.0 dB | _____ dB  | +1.0 dB |

**Pulse Level Accuracy (1 GHz, Pulse Width = 5.0  $\mu$ s)**

Set F1 to 1.0 GHz  
Set pulse width W1 to 5.0  $\mu$ s

|   |         |           |         |
|---|---------|-----------|---------|
| Record the displayed output level L1 (step 5.b) . . . . . |         | _____ dBm |         |
| Record the displayed output level L1 (step 5.d) . . . . . |         | _____ dBm |         |
| Calculate and record the pulse level error. . . . .       | -0.5 dB | _____ dB  | +0.5 dB |

**3-14 Pulse Modulation Tests: Rise Time, Fall Time, Overshoot, and Level (Continued)**

| <i>Pulse Level Accuracy (5 GHz, Pulse Width = 0.5 <math>\mu</math>s)</i> | Lower Limit | Measured Value | Upper Limit |
|--|-------------|----------------|-------------|
| Set F1 to 5.0 GHz<br>Set pulse width W1 to 5.0 $\mu$ s                   |             |                |             |
| Record the displayed output level L1 (step 5.b) . . . . .                |             | _____ dBm      |             |
| Record the displayed output level L1 (step 5.d) . . . . .                |             | _____ dBm      |             |
| Calculate and record the pulse level error. . . . .                      | -1.0 dB     | _____ dB       | +1.0 dB     |

**Pulse Level Accuracy (5 GHz, Pulse Width = 5.0  $\mu$ s)**

|   |         |           |         |
|---|---------|-----------|---------|
| Set F1 to 5.0 GHz<br>Set pulse width W1 to 5.0 $\mu$ s    |         |           |         |
| Record the displayed output level L1 (step 5.b) . . . . . |         | _____ dBm |         |
| Record the displayed output level L1 (step 5.d) . . . . . |         | _____ dBm |         |
| Calculate and record the pulse level error. . . . .       | -0.5 dB | _____ dB  | +0.5 dB |

**3-15 Pulse Modulation Test: Video Feedthrough**

| <i>Test Procedure</i>   | Lower Limit | Measured Value | Upper Limit |
|---|-------------|----------------|-------------|
| Set F1 to 5.0 GHz<br>Set pulse width W1 to 5.0 $\mu$ s<br>Set PRI (period) to 0.01 ms |             |                |             |
| Measure and record the Video Feedthrough voltage spikes . . . . .                     | -10 mV      | _____ mV       | +10 mV      |

**3-16 Pulse Modulation Test: RF On/Off Ratio**

**Test Procedure (1 GHz)**

**Lower Limit    Measured Value    Upper Limit**

Set F1 to 1.0 GHz

Measure and record the peak of the signal on the Spectrum Analyzer. (Measured signal must be >60 dB below top graticule to meet specification; this represents an On/Off Ratio of >80 dB.) .

60 dB                  \_\_\_\_\_ dB                  N/A

**Test Procedure (5 GHz)**

Set F1 to 5.0 GHz

Measure and record the peak of the signal on the Spectrum Analyzer. (Measured signal must be >60 dB below top graticule to meet specification; this represents an On/Off Ratio of >80 dB.) .

60 dB                  \_\_\_\_\_ dB                  N/A

**3-17 Phase Modulation Tests**

**$\Phi$ M Input Sensitivity Procedure  
(Wide  $\Phi$ M Mode)**

**Lower Limit    Measured Value    Upper Limit**

Set F1 to 5.0 GHz

Record the  $\Phi$ M deviation displayed on the 68297B/68397B . . . . .

\_\_\_\_\_ rad

Calculate and record the  $\Phi$ M accuracy . . . . .

93.7%                  \_\_\_\_\_ %                  106.3%

**$\Phi$ M Input Sensitivity Procedure  
(Narrow  $\Phi$ M Mode)**

Set F1 to 5.0 GHz

Record the  $\Phi$ M deviation displayed on the 68297B/68397B . . . . .

\_\_\_\_\_ rad

Calculate and record the  $\Phi$ M accuracy . . . . .

93.7%                  \_\_\_\_\_ %                  106.3%

ANRITSU Model 68297B/68397B

Date: \_\_\_\_\_

Serial Number \_\_\_\_\_

Calibrated By: \_\_\_\_\_

**4-7 Preliminary Calibration**

***Procedure Step***

**Step Completion**

- 1. Internal DVM Calibration (calterm119) . . . . . \_\_\_\_\_
- 2. Coarse Loop Pretune DAC Calibration (calterm 137) . . . . . \_\_\_\_\_
- 3. Fine Loop Pretune DAC Calibration (calterm 136). . . . . \_\_\_\_\_
- 4. Sweep Time DAC Calibration (calterm 132) . . . . . \_\_\_\_\_
- 5. YIG Frequency Offset DAC Calibration (calterm 134) . . . . . \_\_\_\_\_
- 6. YIG Frequency Linearizer DACs Calibration (calterm 127) . . . . . \_\_\_\_\_
- 7. 100 MHz Reference Oscillator Calibration (calterm 130) . . . . . \_\_\_\_\_
- 8. Ramp Center DAC Calibration (calterm 129) . . . . . \_\_\_\_\_
- 9. Sweep Width DAC Calibration (calterm 133) . . . . . \_\_\_\_\_
- 10. Center Frequency DAC Calibration (calterm 114) . . . . . \_\_\_\_\_
- 11. Store the Calibration Data . . . . . \_\_\_\_\_

**4-8 Switched Filter Shaper Calibration**

***Log Amplifier Zero Calibration***

**Step Completion**

- 1. Log Amplifier Zero Calibration (calterm 115) . . . . . \_\_\_\_\_

***Limiter DAC Adjustment***

- 2. Limiter DAC Adjustment (calterm 145). . . . . \_\_\_\_\_

***Shaper DAC Adjustment***

- 2. Shaper DAC Adjustment (calterm 138) . . . . . \_\_\_\_\_
- 3. Store the Calibration Data . . . . . \_\_\_\_\_

**4-9 RF Level Calibration**

This calibration is performed using an automatic test system. Contact ANRITSU Customer Service for further information.

**4-10 ALC Slope Calibration (68397B having Firmware Version 2.00 or above)**

| <i>Procedure Step</i>                      | <i>Step Completion</i> |
|--|------------------------|
| 5. ALC Slope DAC adjustment . . . . .      | _____                  |
| 6. Store the DAC setting value(s). . . . . | _____                  |

**4-11 ALC Bandwidth Calibration**

| <i>Procedure Step</i>                                | <i>Step Completion</i> |
|--|------------------------|
| 1. ALC Bandwidth Calibration (Calterm 110) . . . . . | _____                  |
| 2. Store the Calibration Data . . . . .              | _____                  |

**4-12 AM Calibration**

| <i>Procedure Step</i>  | <i>Step Completion</i> |
|--|------------------------|
| 2. Linear AM Calibration (calterm 112) . . . . .             | _____                  |
| 3. Log AM Calibration (calterm 113) . . . . .                | _____                  |
| 4. AM Meter Calibration (calterm 147) . . . . .              | _____                  |
| 5. AM Function Generator Calibration (calterm 146) . . . . . | _____                  |
| 6. Store the Calibration Data . . . . .                      | _____                  |

**4-13 FM Calibration (68297B/68397B with Firmware Version 1.01 to 2.10)**

| <b>Procedure Step</b>   | <b>Step Completion</b> |
|---|------------------------|
| 1. FM Meter Calibration (calterm 123) . . . . .                       | _____                  |
| 2. FM Offset Balance Calibration (calterm 126) . . . . .              | _____                  |
| 3. External FM Wide Sensitivity Calibration (calterm 124) . . . . .   | _____                  |
| 4. External FM Narrow Sensitivity Calibration (calterm 125) . . . . . | _____                  |
| 5. Internal FM Wide Sensitivity Calibration (calterm 143) . . . . .   | _____                  |
| 6. Internal FM Narrow Sensitivity Calibration (calterm 144) . . . . . | _____                  |
| 7. Store the Calibration Data . . . . .                               | _____                  |

**4-13 FM Calibration (68297B with Firmware Version 2.18 and above;  
68397B with Firmware Version 2.20 and above)**

| <b>Procedure Step</b>   | <b>Step Completion</b> |
|---|------------------------|
| 1. FM Meter Calibration (calterm 123) . . . . .   | _____                  |
| 2. FM Variable Gain Linearity Calibration (calterm 148) . . . . .   | _____                  |
| 3. External Unlocked Wide FM Mode Sensitivity Calibration (calterm 124) . . . . .                                   | _____                  |
| 4. Internal Unlocked Wide FM Mode Sensitivity Calibration (calterm 143) . . . . .                                   | _____                  |
| 5. External Locked, Locked Low-Noise, and Unlocked Narrow FM Mode Sensitivity<br>Calibration (calterm 125). . . . . | _____                  |
| 6. Internal Locked, Locked Low-Noise, and Unlocked Narrow FM Mode Sensitivity<br>Calibration (calterm 144). . . . . | _____                  |
| 7. FM Rear Panel Input Gain Calibration (calterm 154) . . . . .   | _____                  |
| 8. Store the Calibration Data . . . . .   | _____                  |

**4-14 Phase Modulation ( $\Phi$ M) Calibration (Option 6)**

| <i>Procedure Step</i>  | <b>Step Completion</b> |
|--|------------------------|
| 1. External Wide $\Phi$ M Mode Sensitivity Calibration (calterm 149) . . . . .   | _____                  |
| 2. Internal Wide $\Phi$ M Mode Sensitivity Calibration (calterm 151) . . . . .   | _____                  |
| 3. Wide $\Phi$ M Mode Flatness Calibration (calterm 155) . . . . .               | _____                  |
| 4. External Narrow $\Phi$ M Mode Sensitivity Calibration (calterm 150) . . . . . | _____                  |
| 5. Internal Narrow $\Phi$ M Mode Sensitivity Calibration (calterm 152) . . . . . | _____                  |
| 6. Narrow $\Phi$ M Mode Flatness Calibration (calterm 156) . . . . .             | _____                  |
| 7. Store the Calibration Data . . . . .  | _____                  |



# Subject Index

## 0 - 9

682XXB/683XXB  
  Assembly and Component Locator Diagram, 6-9  
  General Description, 1-3  
  Major Subsystems Functional Description, 2-3  
  Manuals, Related, 1-6  
  Models, List of, 1-4 - 1-5  
  Options, List of, 1-7  
  Startup Configurations, 1-11  
  System Block Diagram, 2-6 - 2-7

## A

ALC/AM/Pulse Modulation Subsystem  
  Block Diagram, 2-17  
  Functional Description, 2-15  
ANRITSU Service Centers, 1-18

## C

Calibration  
  ALC Bandwidth Calibration, 4-31  
  ALC Slope Calibration, 4-23  
  AM Calibration, 4-33  
  FM Calibration, 4-37  
  Following Subassembly Replacement, 4-4  
  Initial Setup, 4-7  
  Phase Modulation Calibration, 4-51  
  Preliminary Calibration, 4-13  
  RF Level Calibration, 4-22  
  Switched Filter Shaper Calibration, 4-17  
  Test Equipment, 4-3  
  Test Record, 68237B/68337B, A-15 - A-18  
  Test Record, 68245B/68345B, A-33 - A-36  
  Test Record, 68247B/68347B, A-51 - A-54  
  Test Record, 68253B/68353B, A-69 - A-72  
  Test Record, 68255B/68355B, A-89 - A-92  
  Test Record, 68259B/68359B, A-109 - A-112  
  Test Record, 68263B/68363B, A-127 - A-130  
  Test Record, 68265B/68365B, A-147 - A-150  
  Test Record, 68269B/68369B, A-167 - A-170  
  Test Record, 68275B/68375B, A-185 - A-188  
  Test Record, 68277B/68377B, A-203 - A-206  
  Test Record, 68285B/68385B, A-221 - A-224  
  Test Record, 68287B/68387B, A-239 - A-242

  Test Record, 68295B/68395B, A-255 - A-258  
  Test Record, 68297B/68397B, A-271 - A-274  
Chassis Covers  
  Remove/Replace Procedures, 6-4

## E

Electrostatic Discharge Precautions, 1-9  
Error Messages  
  Operation Related, 5-7  
  Self-Test, 5-3 - 5-6  
Exchange Assembly Program  
  Program Description, 1-14

## F

Fan Assembly  
  Remove/Replace Procedures, 6-18  
Frequency Synthesis Subsystem  
  Block Diagram, 2-11  
  Functional Description, 2-9  
Front Panel Assembly  
  Remove/Replace Procedures, 6-6  
Functional Description  
  682XXB/683XXB Major Subsystems, 2-3  
  ALC/AM/Pulse Modulation Subsystem, 2-15  
  Frequency Synthesis Subsystem, 2-9  
  RF Deck Assemblies, 2-19  
  System Block Diagram, 2-6 - 2-7

## G

General Description, 1-3

## I

Identification Number, 1-5

## M

Maintenance, Level of, 1-8  
Manual, Electronic, 1-6  
Manual, GPIB Programming, 1-6  
Manual, Operation, 1-6  
Manual, SCPI Programming, 1-6  
Models, List of, 1-4 - 1-5

**N**

Normal Operation Error/Warning Messages, 5-7

**O**

Options, List of, 1-7

**P**

Parts and Subassemblies, Replaceable, 1-14

Parts Ordering Information, 1-14

ANRITSU Service Centers, 1-14

Performance Verification Tests, 3-3

Preventive Maintenance

Fan Filter Cleaning, 1-9

**R**

Rear Panel Assembly

Remove/Replace Procedures, 6-13

Recommended Test Equipment, 1-12

Removal and Replacement Procedures

A13, A14, or A15 PCB, 6-11

A16 or A17 PCB, 6-11

A18 or A19 PCB, 6-12

A21 Line Filter/Rectifier PCB, 6-16

A21-1 BNC/AUX I/O Connector PCB, 6-17

A3, A4, A5, or A6 PCBs, 6-8

A7 YIG Loop PCB, 6-10

A8, A9, A10, A11, or A12 PCB, 6-10

Assembly and Component Locator Diagram, 6-9

Chassis Covers, 6-4

Fan Assembly, 6-18

Front Panel Assembly, 6-6

Rear Panel Assembly, 6-13

Replaceable Subassemblies and Parts, 1-14

RF Deck Assemblies

Block Diagram, 2-21 - 2-22, 2-27 - 2-28

Functional Description, 2-19

**S**

Scope of Manual, 1-3

Self-Test Error Messages, 5-3

Startup Configurations, 1-11

Static-Sensitive Component Precautions, 1-9

**T**

Test Equipment, Recommended, 1-12

Testing, Performance Verification

Amplitude Modulation Test, 3-30

Frequency Modulation Tests, 3-33

Frequency Synthesis Tests, 3-11

Harmonic Test: RF Output 2 to 20 GHz, 3-18

Internal Time Base Aging Rate Test, 3-8

Maximum Leveled Power Listing, 3-6 - 3-7

Phase Modulation Tests, 3-48

Power Level Accuracy and Flatness Tests, 3-26

Pulse Modulation Test: Overshoot, 3-39

Pulse Modulation Test: Pulse Level

Accuracy, 3-39

Pulse Modulation Test: RF On/RF Off

Ratio, 3-45

Pulse Modulation Test: Rise/Fall Time, 3-39

Pulse Modulation Test: Video

Feedthrough, 3-43

Single Sideband Phase Noise Test, 3-22

Spurious Signals Test: RF Output <2 GHz, 3-14

Test Equipment, 3-3

Test Record, 68237B/68337B, A-3 - A-14

Test Record, 68245B/68345B, A-19 - A-32

Test Record, 68247B/68347B, A-37 - A-50

Test Record, 68253B/68353B, A-55 - A-67

Test Record, 68255B/68355B, A-73 - A-87

Test Record, 68259B/68359B, A-93 - A-107

Test Record, 68263B/68363B, A-113 - A-125

Test Record, 68265B/68365B, A-131 - A-145

Test Record, 68269B/68369B, A-151 - A-165

Test Record, 68275B/68375B, A-171 - A-183

Test Record, 68277B/68377B, A-189 - A-201

Test Record, 68285B/68385B, A-207 - A-219

Test Record, 68287B/68387B, A-225 - A-237

Test Record, 68295B/68395B, A-243 - A-254

Test Record, 68297B/68397B, A-259 - A-270

Troubleshooting

Connector/Test Points Locator Diagram, 5-11

Malfunctions Not Displaying an Error

Message, 5-10

Normal Operation Error/Warning

Messages, 5-7

Self-Test Error Messages, 5-3

Troubleshooting Tables, 5-10, 5-12 - 5-53